



**DX2400**

Size: AAA 800 mAh (HR3)  
Rechargeable NiMH Battery

**NiMH**

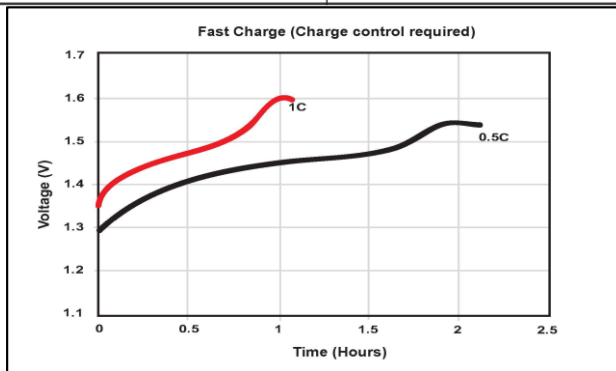
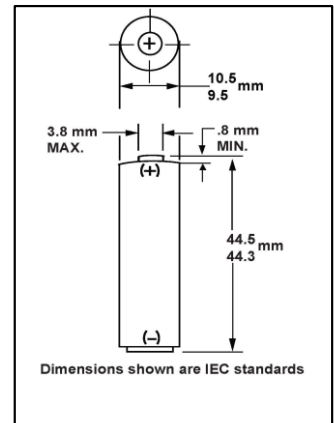
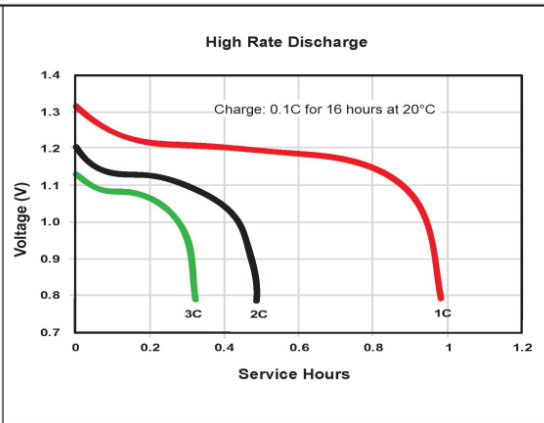
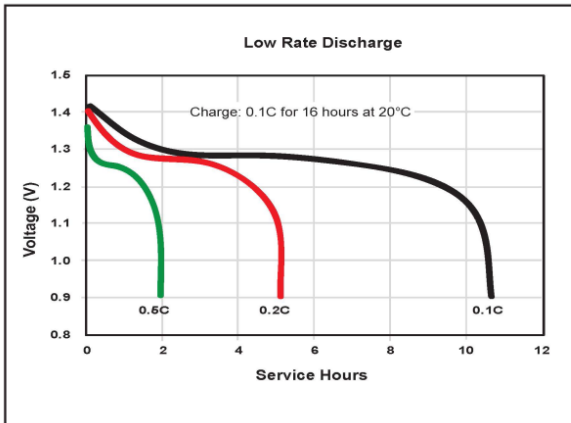
**Technical Specifications**



<b>Classification:</b>	Cylindrical Rechargeable
<b>Chemical system</b>	Nickel Metal Hydride (Ni-MH)
<b>Designation:</b>	IEC – HR3
<b>Nominal Voltage:</b>	1.2V
<b>Operating Voltage:</b>	1.0V-1.35V
<b>Operating temp:</b>	-10°C to 50°C
<b>Storage Temp:</b>	5°C – 30°C
<b>Typical weight:</b>	12.8g
<b>Typical Volume:</b>	3.5 cubic centimeters
<b>Typical Impedance:</b>	30 milliohm @ 1 khz
<b>Rated Capacity:</b>	800 mAh
<b>Safety Features:</b>	Pressure released resettable vent

**BENEFITS**

- Stays charged for up to 12 months.\*
- Pre-charged, ready to use out of the package.
- 1 charge up to 45 hours in wireless mouse
- 1 charge up to 7.5 hours in gaming controller
- 1 charge up to 250 pictures



**DURACELL**  
BATTERIES

Berkshire Corporate Park  
Bethel, CT 06801 U.S.A.  
Tel: Toll free 1.800.544.5454  
Web: www.Duracell.com

\*When not in use.

Information and contents in this data sheet are for reference purposes only. They do not constitute any warranty and representation is subject to change without notice. For most current information and further details, please contact Duracell.