


**Aurora Bearing Company**

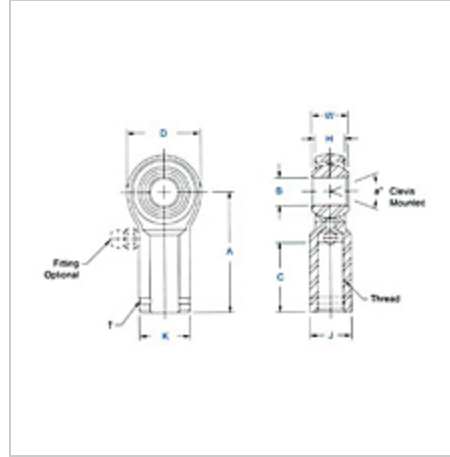
901 Aucutt Rd.

Montgomery, IL 60538

Phone: 630.859.2030 • Fax: 630.859.0971

Email: [customersupport@aurorabearing.com](mailto:customersupport@aurorabearing.com) • Website: [www.aurorabearing.com](http://www.aurorabearing.com)
**Item # AG-5, AW & AG Series Female Rod Ends, High Strength Alloy - Precision (PTFE Liners Available)**

- Body - Alloy Steel, heat treated, protective coated for corrosion resistance.
- Ball - Alloy steel, heat treated, hard chrome plated.
- Race - Alloy steel, heat treated, protective coated for corrosion resistance (Low carbon steel with PTFE liners).
- Units in this series will be magnafluxed on special request only. Specify by adding suffix "M". Ex.: AW-8M.
- Units are supplied without grease fittings. When a grease fitting is required, specify by adding suffix "Z" or "F". Ex.: AW-6Z = Zerk Type


[+ more](#)
[Specifications](#) | [AW & AG Note](#)
**Specifications**

<b>Thread Type</b>	Left Hand
<b>Thread Configuration</b>	Female
<b>B - Ball Bore</b>	.3125 in
<b>W - Ball Width</b>	.437 in
<b>H - Head Width</b>	.344 in
<b>A - Base to Center</b>	1.375 in
<b>D - Head Diameter</b>	.875 in
<b>K - Shank Diameter</b>	.500 in
<b>J - Wrench Flat Width</b>	.437 in
<b>Ball Diameter</b>	.625 in
<b>C - Thread Depth [inch]</b>	.750 in

<b>Thread Size</b>	5/16-24
<b>Thread Class</b>	UNF-3B-LH
<b>a - Misalignment Angle Clevis Mounted</b>	14 °
<b>Ultimate Radial Static Load Capacity</b>	7,639 lbs
<b>Approximate Brg. Weight</b>	.09 lb
<b>Options</b>	Stud
<b>Type of Lubrication</b>	None

**AW & AG Note****AW & AG Note**

For dimensional tolerances of listed features, see the PDF version of the catalog under the "View Product Catalogs" tab from the home page.