

Datasheet

RS Pro Direct Coupling Centrifugal Pump, 6 to 24 V

RS Stock No: **817-0781**



Product Details

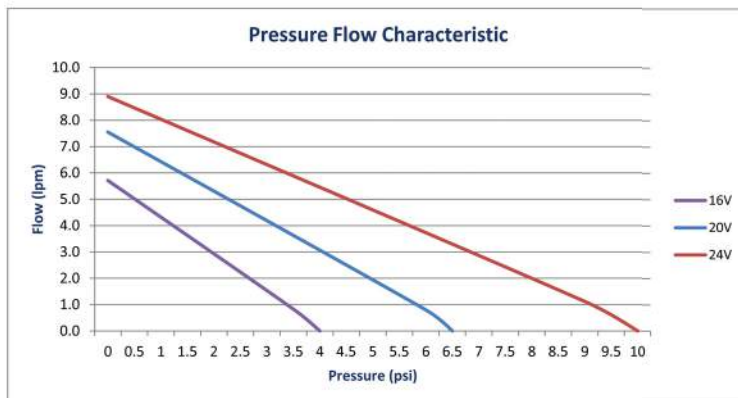
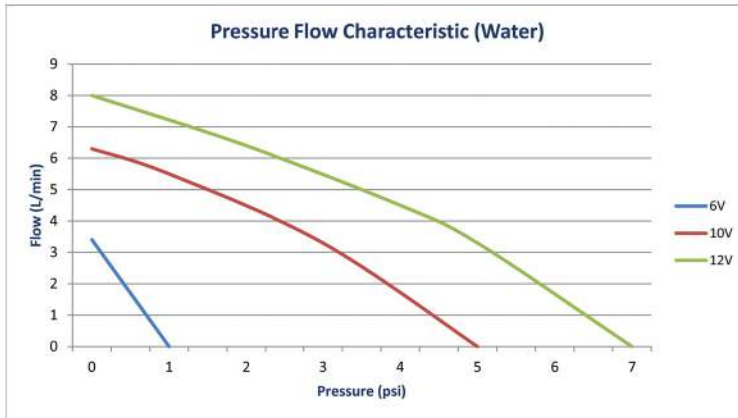
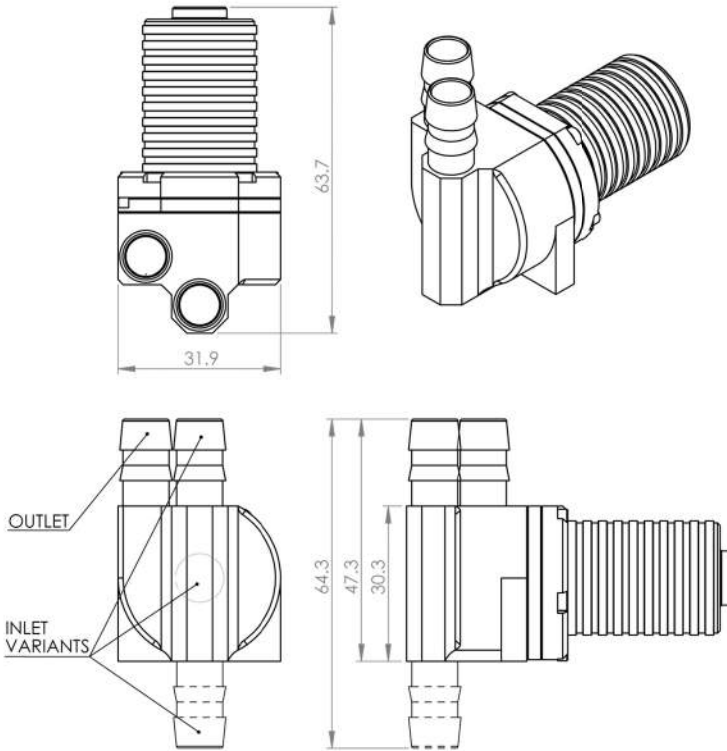
RS Pro direct coupling centrifugal pump with 6 to 24 V supply voltage, is suitable for use with liquids. This high-flow miniature pump is made from CNC machined alloy with stainless steel connections. It features centrifugal brushless design using a independent motor controller. Inline connection and submersible versions available to suit different applications.

Features and Benefits

- Designed for 8 mm Tubing
- 10 l/m flow rate
- 102 g weight
- Quiet operation
- Dimensions: 64 x 32 x 31 mm
- Sealed waterproof body (IP67)

**Specifications:**

Body Material	Aluminium Alloy
Coupling Type	Direct
Input Connection Size	8 mm
Input Connection	8 mm Tube
Input Thread Standard or Connection Type	Bore Tube
IP Rating	IP67, IP68
Maximum Fluid Temperature	+100°C
Output Connection Size	8 mm
Output Connection	8 mm Barb
Output Thread Standard or Connection Type	Barbed Connector
Supply Voltage	6 to 24 V dc
Wetted Materials	Anodised Aluminium (Housing), Polyacetal (Impeller), Stainless Steel (Tubing Connector), Viton (Seal)



Variant	Input (v)	Power (w)	Flow (lpm)	Pressure (psi)
EQ12-M500	6	4.2	3.8	1.5
	10	15	7.23	5.5
	12	22.8	8.75	8.5
EQ24-M500	16	11.2	5.7	4
	20	19	7.55	6.5
	24	28.8	8.9	10