

Data sheet

Art.No.: 92.934.0053.0

Connector GST18I3F S2 ZR1 WS

GST18i3 connector, 3 pole, male with spring force connection, coding mains 250 V, 20 A, coding color white, strain relief color white

1011011010001010010101101
0100110110010110100101010
101001101100111001010010
101010011010101010100100
1101010011011001011010010
10101010010101101010011

**DIGITALIZATION
IN PROGRESS**

Art.No.	92.934.0053.0
EAN	4015573402553
Order Unit	1

Certificates / Approvals



Technical data

General

Rated current	20 A
Rated voltage	250 V
Rated impulse voltage	4 kV
strain relief	Yes
Pollution degree	2
Mechanical coding	Code 1
Lockable	self-locking (unlocking by tool)
Color of coding/ contact carrier	white
Marking of poles	L, N, PE
Color of housing inclusive strain relief	white

Connection Data

Cable diameter max.	10.3 mm
Cable diameter min.	7.8 mm
Connection cross section solid mm ² max.	2.5 mm ²
Connection cross section solid mm ² min.	0.75 mm ²
Connection cross section fine stranded mm ² max.	1.5 mm ²
Connection cross section fine stranded mm ² min.	0.75 mm ²
Terminations per pole	2
sheath strip length	45 mm
Wire strip length	9 mm

Model

Model	male
Connection type	Spring clamp connection
Degree of protection (IP)	IP20
Remark to type of connection	fine- and multi stranded wires require a ferrule or a ultra sonically compacting

Material

Housing material	Polyamide
halogen free	Yes
Contact material	CuZn
Fire load	0.121 kWh
Insulation components continuous temperature	100 °C
Surface finish	Tin-plated

Dimensions

Length	75 mm
Width	32.5 mm
Height	15.5 mm

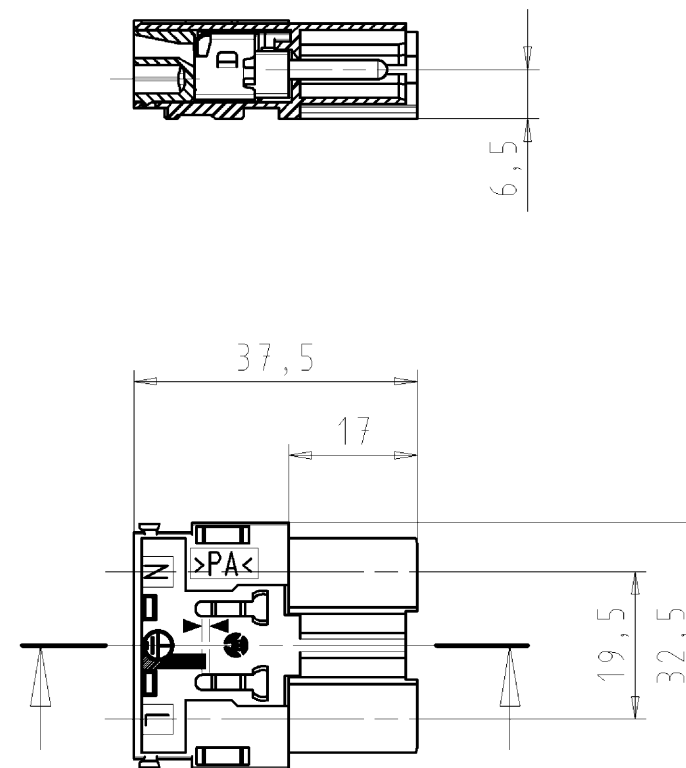
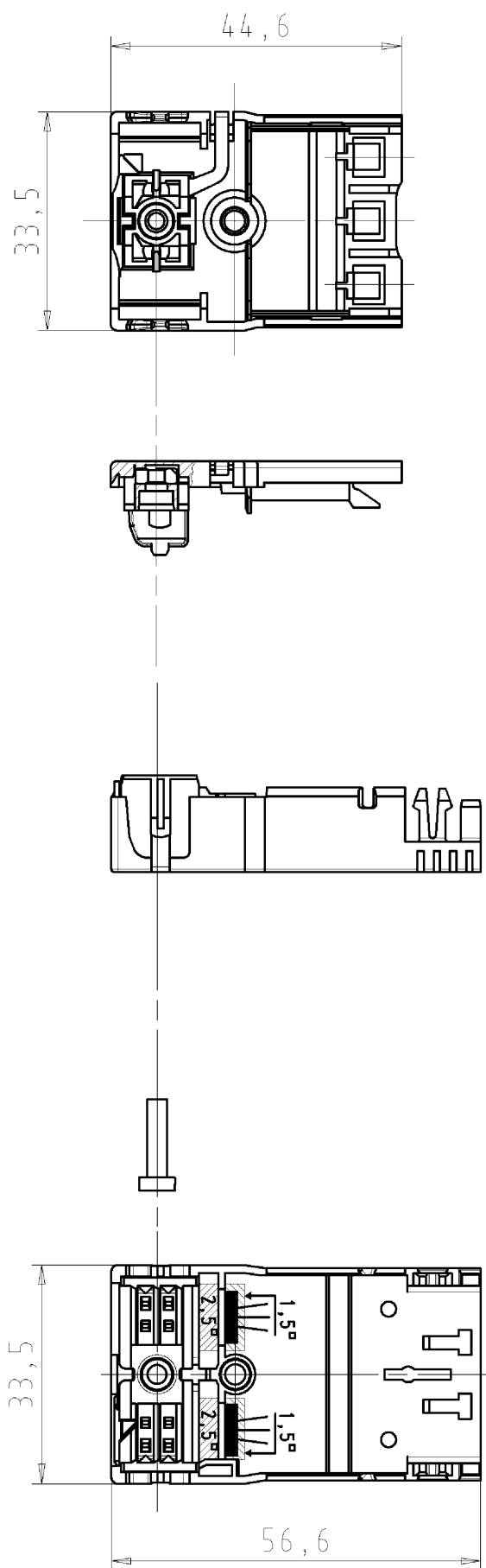
Classification

ECLASS 8.1	27440605
ETIM 7.0	EC002560
ETIM 6.0	EC002560
ETIM 5.0	EC002560
ETIM 4.0	EC002560

These dimensions will be especially checked at delivery
 Only inspection dimensions
 With /E marked dimensions are only valid for internal use

Diese Maße werden bei Abnahme besonders geprüft
 Ausschließliche Prüfmaße
 Mit /E gekennzeichnete Maße sind nur für interne Zwecke gültig

○



Typ/type: GST18I3F S2 ZR1 WS/SW/TR

Weitere Daten siehe Katalog
 further data see catalog

Teile - Nr. part number	Farbe colour
92.934.0053.0	weiß / white
92.934.0053.1	schwarz /black
92.934.0053.5	tomatenrot/tomato red Zugentlastung: schwarz spring clamp connection: black

Tolerierung Size ISO 14405/Tolerance system Size ISO 14405. (This ISO-standard describes the envelope principle. According to the envelope principle the deviations of form and parallelism are limited by the size tolerances).				ja/yes <input checked="" type="checkbox"/> Stoffverbots- und Deklarationsliste nach UU-TOM-05/03 ist einzuhalten. Conformity with Wieland document UU-TOM-05/03 (list of prohibited / declarable hazardous substances) to be declared!			
Freitoleranz nach General tolerance		CAD - Zeichnung, keine manuellen Änderungen CAD - drawing, no manual modifications allowed		1.Verwendung: First Use:		Blatt: 1 von 1 Sheet: of 1	
/		Werkstoff/Material		2007	Tag/Date	Name	
/		Maßstab/Scale		gezeichnet drawn	22.05.	Schmitt J.	
/ 1:1				geprüft checked	-		
/ Vol.		mm ³ Ofl./Surf.		Normgepr. Stand. check	-		
/		Ersatz für/Replacement for: -		Maße in mm/Dimensions are in mm			
/				Type			
a 22.01.2013/ Index Datum / Blatt Date / Sheet		wieland		Benennung/Tittle MALE CONNECTOR WITH STRAIN RELIEF STECKERTE IL MIT ZUGENTLASTUNG			
Änderung/Revision		Elektrische Verbindungen		Federkraftanschluss/ spring clamp connection ⓐ 250V AC, 20A, 2,5qmm			

Weitergabe sowie Vervielfältigung dieses Dokuments, Verwertung und Mitteilung seines Inhalts sind verboten, soweit nicht ausdrücklich gestattet.
 The reproduction, distribution and utilization of this document as well as the communication of its contents to others without express authorization is prohibited.

929340053001K_2 CADW3028_Treschan 2013-01-22T15:17:42 1.000