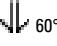




## Selector switch, toggle, 3 positions, black, maintained



**Part no.** M22S-WRK3  
**Article no.** 216873  
**Catalog No.** M22S-WRK3Q

### Delivery programme

|                                                                             |   |  |                                                                                                                       |
|-----------------------------------------------------------------------------|---|--|-----------------------------------------------------------------------------------------------------------------------|
| Product range                                                               |   |  | RMQ-Titan (drilling dimensions 22.5 mm)                                                                               |
| Basic function                                                              |   |  | Selector switch actuators                                                                                             |
| Single unit/Complete unit                                                   |   |  | Single unit                                                                                                           |
| Design                                                                      |   |  | With thumb-grip<br>maintained                                                                                         |
| <b>Function:</b>                                                            |   |  |                                                                                                                       |
|                                                                             |   |  | 60°  60°                             |
|                                                                             |   |  | 3 positions                                                                                                           |
| Degree of Protection                                                        |   |  | IP66                                                                                                                  |
| Front ring                                                                  |   |  | Bezel: black                                                                                                          |
| Connection to SmartWire-DT                                                  |   |  | Yes, with SWD-RMQ connections                                                                                         |
| <b>Actuator travel and actuation force as per DIN EN 60947-5-1, K.5.4.1</b> |   |  |                                                                                                                       |
| Minimum force for positive opening                                          | N |  | 0                                                                                                                     |
| Front dimensions                                                            |   |  | 29,7                                                                                                                  |
| <b>Instructions</b>                                                         |   |  | Stay-put/spring-return function, can be changed with coding parts M22-XC-Y with plunger bridge for the middle contact |

### Technical data

#### General

|                                           |              |                   |                                                                                          |
|-------------------------------------------|--------------|-------------------|------------------------------------------------------------------------------------------|
| Standards                                 |              |                   | IEC/EN 60947<br>VDE 0660                                                                 |
| Lifespan, mechanical                      | Operations   | x 10 <sup>6</sup> | > 0.1                                                                                    |
| Operating frequency                       | Operations/h |                   |  2000 |
| Operating torque (screw terminals)        |              | Nm                |  0.3  |
| Climatic proofing                         |              |                   | Damp heat, constant, to IEC 60068-2-78<br>Damp heat, cyclic, to IEC 60068-2-30           |
| Ambient temperature                       |              |                   |                                                                                          |
| Open                                      |              | °C                | -25 - +70                                                                                |
| Storage                                   |              | °C                | - 40 - + 80                                                                              |
| Mounting position                         |              |                   | As required                                                                              |
| Mechanical shock resistance               |              | g                 | 30<br>Shock duration 11 ms<br>Sinusoidal<br>according to IEC 60068-2-27                  |
| Indoor and protected outdoor installation |              |                   |                                                                                          |

### Design verification as per IEC/EN 61439

|                                                          |                   |    |                                            |
|----------------------------------------------------------|-------------------|----|--------------------------------------------|
| Technical data for design verification                   |                   |    |                                            |
| Rated operational current for specified heat dissipation | I <sub>n</sub>    | A  | 0                                          |
| Heat dissipation per pole, current-dependent             | P <sub>vid</sub>  | W  | 0                                          |
| Equipment heat dissipation, current-dependent            | P <sub>vid</sub>  | W  | 0                                          |
| Static heat dissipation, non-current-dependent           | P <sub>vs</sub>   | W  | 0                                          |
| Heat dissipation capacity                                | P <sub>diss</sub> | W  | 0                                          |
| Operating ambient temperature min.                       |                   | °C | -25                                        |
| Operating ambient temperature max.                       |                   | °C | 70                                         |
| IEC/EN 61439 design verification                         |                   |    |                                            |
| 10.2 Strength of materials and parts                     |                   |    |                                            |
| 10.2.2 Corrosion resistance                              |                   |    |                                            |
|                                                          |                   |    | Meets the product standard's requirements. |

|                                                                                                                        |  |  |                                                                                                          |
|------------------------------------------------------------------------------------------------------------------------|--|--|----------------------------------------------------------------------------------------------------------|
| 10.2.3.1 Verification of thermal stability of enclosures                                                               |  |  | Meets the product standard's requirements.                                                               |
| 10.2.3.2 Verification of resistance of insulating materials to normal heat                                             |  |  | Meets the product standard's requirements.                                                               |
| 10.2.3.3 Verification of resistance of insulating materials to abnormal heat and fire due to internal electric effects |  |  | Meets the product standard's requirements.                                                               |
| 10.2.4 Resistance to ultra-violet (UV) radiation                                                                       |  |  | Please enquire                                                                                           |
| 10.2.5 Lifting                                                                                                         |  |  | Does not apply, since the entire switchgear needs to be evaluated.                                       |
| 10.2.6 Mechanical impact                                                                                               |  |  | Does not apply, since the entire switchgear needs to be evaluated.                                       |
| 10.2.7 Inscriptions                                                                                                    |  |  | Meets the product standard's requirements.                                                               |
| 10.3 Degree of protection of ASSEMBLIES                                                                                |  |  | Does not apply, since the entire switchgear needs to be evaluated.                                       |
| 10.4 Clearances and creepage distances                                                                                 |  |  | Meets the product standard's requirements.                                                               |
| 10.5 Protection against electric shock                                                                                 |  |  | Does not apply, since the entire switchgear needs to be evaluated.                                       |
| 10.6 Incorporation of switching devices and components                                                                 |  |  | Does not apply, since the entire switchgear needs to be evaluated.                                       |
| 10.7 Internal electrical circuits and connections                                                                      |  |  | Is the panel builder's responsibility.                                                                   |
| 10.8 Connections for external conductors                                                                               |  |  | Is the panel builder's responsibility.                                                                   |
| 10.9 Insulation properties                                                                                             |  |  |                                                                                                          |
| 10.9.2 Power-frequency electric strength                                                                               |  |  | Is the panel builder's responsibility.                                                                   |
| 10.9.3 Impulse withstand voltage                                                                                       |  |  | Is the panel builder's responsibility.                                                                   |
| 10.9.4 Testing of enclosures made of insulating material                                                               |  |  | Is the panel builder's responsibility.                                                                   |
| 10.10 Temperature rise                                                                                                 |  |  | Not applicable.                                                                                          |
| 10.11 Short-circuit rating                                                                                             |  |  | Is the panel builder's responsibility. The specifications for the switchgear must be observed.           |
| 10.12 Electromagnetic compatibility                                                                                    |  |  | Is the panel builder's responsibility. The specifications for the switchgear must be observed.           |
| 10.13 Mechanical function                                                                                              |  |  | The device meets the requirements, provided the information in the instruction leaflet (IL) is observed. |

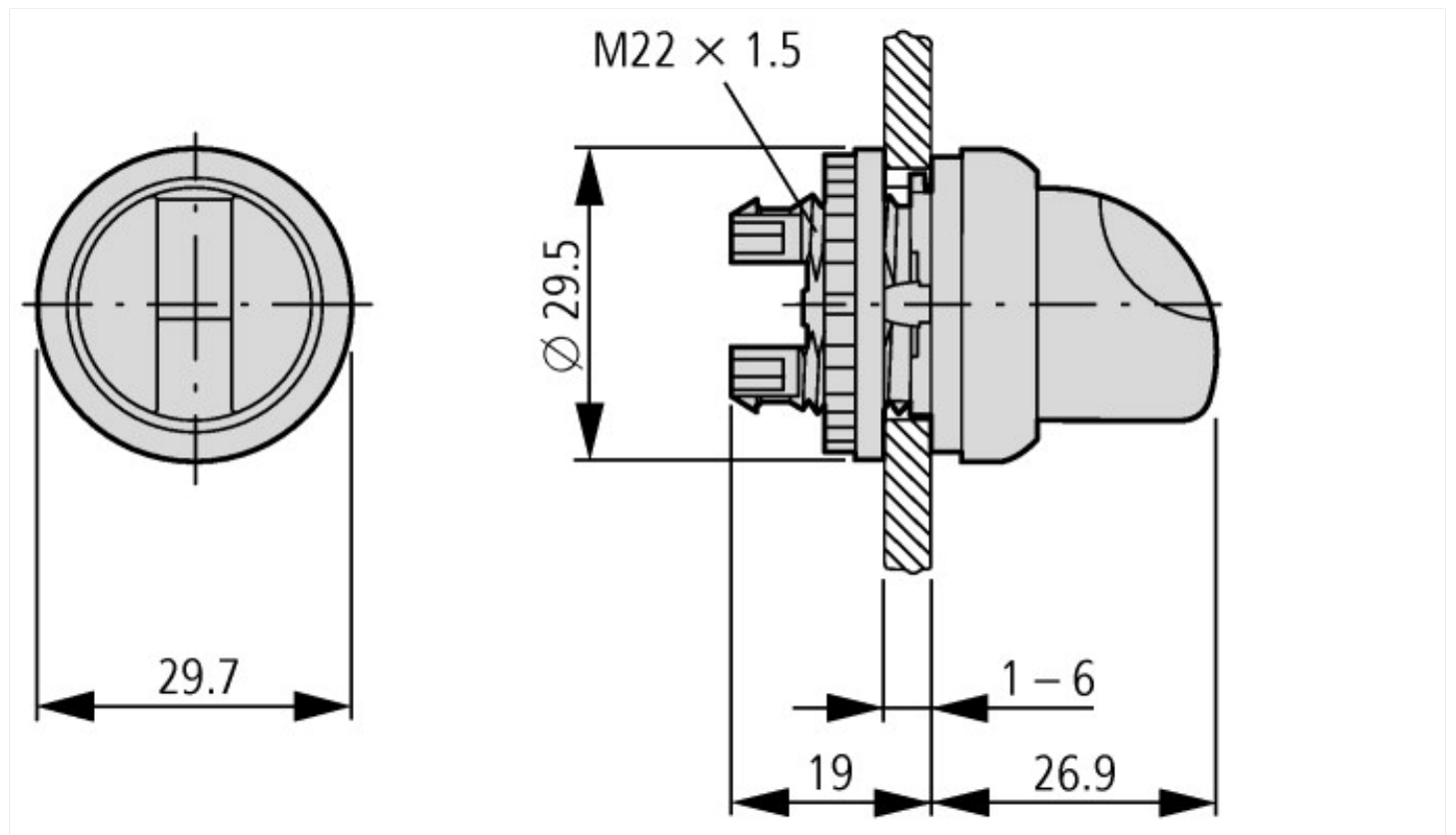
## Technical data ETIM 6.0

|                                                                                                                                                                                                    |  |    |                |
|----------------------------------------------------------------------------------------------------------------------------------------------------------------------------------------------------|--|----|----------------|
| Low-voltage industrial components (EG000017) / Front element for selector switch (EC000222)                                                                                                        |  |    |                |
| Electric engineering, automation, process control engineering / Low-voltage switch technology / Command and alarm device / Front element for selector switches (ecl@ss8.1-27-37-12-13 [AKF031011]) |  |    |                |
| Number of switch positions                                                                                                                                                                         |  |    | 3              |
| Type of control element                                                                                                                                                                            |  |    | Toggle         |
| Suitable for illumination                                                                                                                                                                          |  |    | No             |
| Colour control element                                                                                                                                                                             |  |    | Black          |
| Colour indicator light cap                                                                                                                                                                         |  |    | Not applicable |
| Construction type lens                                                                                                                                                                             |  |    | Round          |
| Hole diameter                                                                                                                                                                                      |  | mm | 22.5           |
| Width opening                                                                                                                                                                                      |  | mm | 0              |
| Height meter opening                                                                                                                                                                               |  | mm | 0              |
| Switching function latching                                                                                                                                                                        |  |    | Yes            |
| Spring-return                                                                                                                                                                                      |  |    | No             |
| Degree of protection (IP), front side                                                                                                                                                              |  |    | IP66           |
| With front ring                                                                                                                                                                                    |  |    | Yes            |
| Material front ring                                                                                                                                                                                |  |    | Plastic        |
| Colour front ring                                                                                                                                                                                  |  |    | Black          |

## Approvals

|  |  |  |                                                                              |
|--|--|--|------------------------------------------------------------------------------|
|  |  |  | IEC/EN 60947-5; UL 508; CSA-C22.2 No. 14-05; CSA-C22.2 No. 94-91; CE marking |
|  |  |  | E29184                                                                       |
|  |  |  | NKCR                                                                         |
|  |  |  | 012528                                                                       |
|  |  |  | 3211-03                                                                      |
|  |  |  | UL listed, CSA certified                                                     |
|  |  |  | UL/CSA Type 3R, 4X, 12, 13                                                   |

## Dimensions





### Additional product information (links)

IL04716002Z (AWA1160-1745) RMQ-Titan System

IL04716002Z (AWA1160-1745) RMQ-Titan System

[ftp://ftp.moeller.net/DOCUMENTATION/AWA\\_INSTRUCTIONS/IL04716002Z2015\\_02.pdf](ftp://ftp.moeller.net/DOCUMENTATION/AWA_INSTRUCTIONS/IL04716002Z2015_02.pdf)