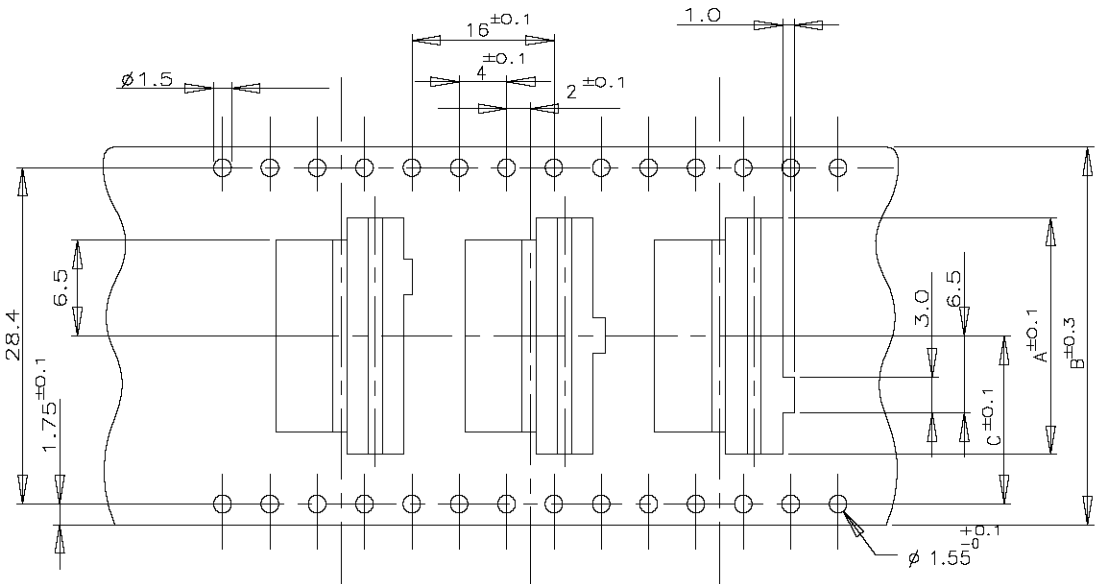
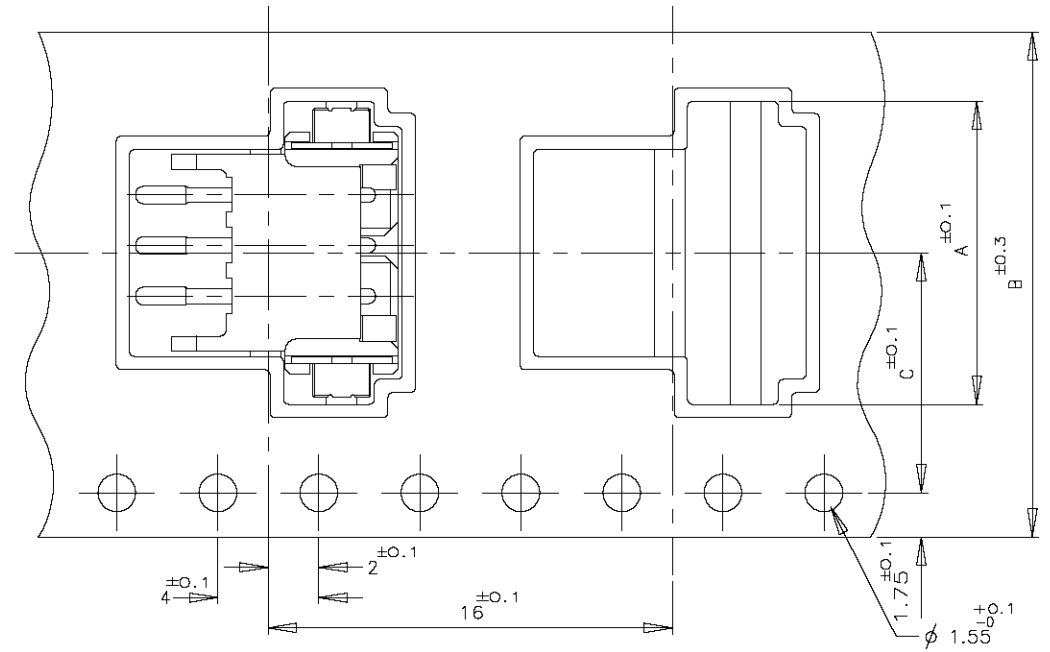


THIS DRAWING IS UNPUBLISHED. RELEASED FOR PUBLICATION
 © COPYRIGHT BY TYCO ELECTRONICS CORPORATION. ALL RIGHTS RESERVED.

LOC	DIST	REVISIONS					
FB	00	P	LTR	DESCRIPTION	DATE	DWN	APVD
		C		REVISED ECR05-000512	9JAN06	C.W	S.Y



(AS SHOWN : 3P)

FOR 7P ONLY
 THREE KINDS OF DIFFERENT POCKETS AS 1 SET
 USED FOR 7P ONLY

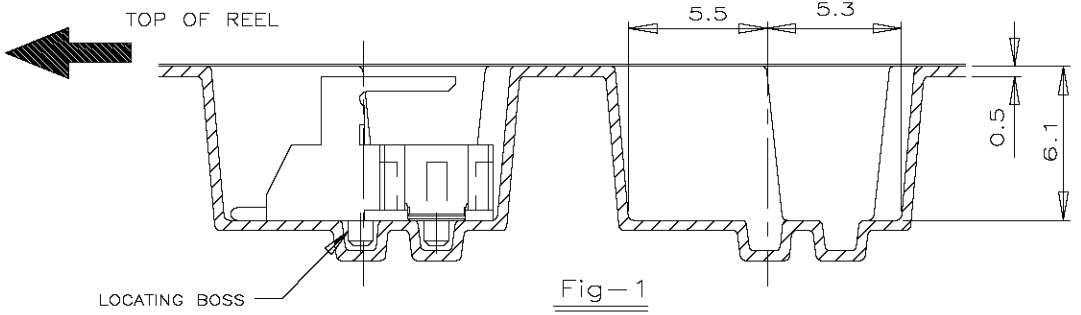
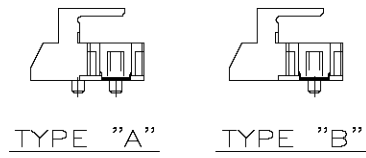


Fig-1

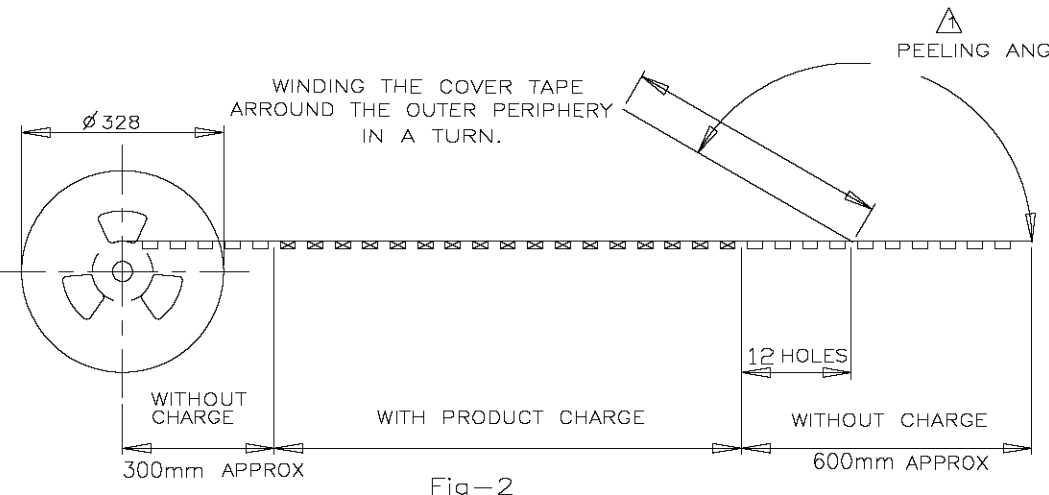


Fig-2

NATURAL	WITH	B	20.2	44	24	500	9	1-292173-9
		B	20.2	44	22		8	1- -8
		B	14.2	32	20		7	1- -7
		B	14.2	32	18		6	1- -6
		B	11.5	24	16		5	1- -5
		B			14		4	1- -4
		A			12		3	1- -3
		A	11.5	24	10		2	1- -2
	BLACK	B	20.2	44	24		9	0- -9
B		20.2	44	22		8	0- -8	
B		14.2	32	20		7	0- -7	
B		14.2	32	18		6	0- -6	
B		11.5	24	16		5	0- -5	
B				14		4	0- -4	
A				12		3	0- -3	
WITH		A	11.5	24	10	500	2	0-292173-2
COLOR		PLATE	TYPE OF BOSS	C	B	A	QTY/ REEL	Pos

TOLERANCE UNLESS OTHERWISE SPECIFIED:

10 >	: ±0.2
30 > * > 10	: ±0.25
100 > * > 30	: ±0.3
ANGLE	: ±3°

NOTES:
 1 PEELING RESISTANCE : 0.196N-0.686N (20gf-70gf)
 SPEED : 300mm/min

THIS DRAWING IS A CONTROLLED DOCUMENT.		DWN	J.JIANG	23JAN03
DIMENSIONS: MM		CHK	S.YAO	23JAN03
TOLERANCES UNLESS OTHERWISE SPECIFIED:		APVD	T.SASAKI	23JAN03
0 PLC ±		PRODUCT SPEC		
1 PLC ±		APPLICATION SPEC		
2 PLC ±		WEIGHT		
3 PLC ±				
4 PLC ±				
ANGLES ±				
MATERIAL				
FINISH				

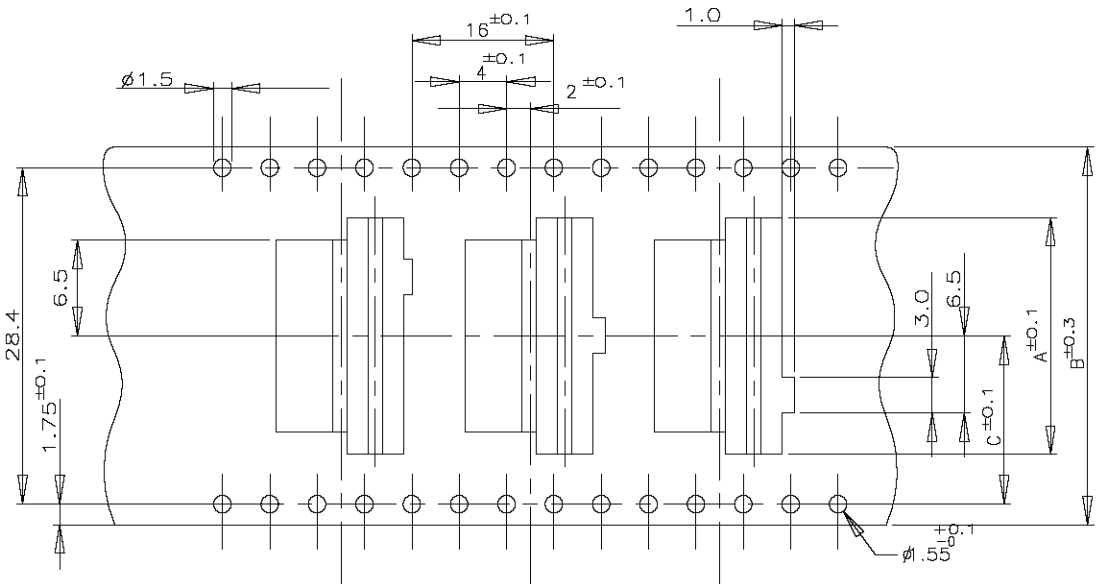
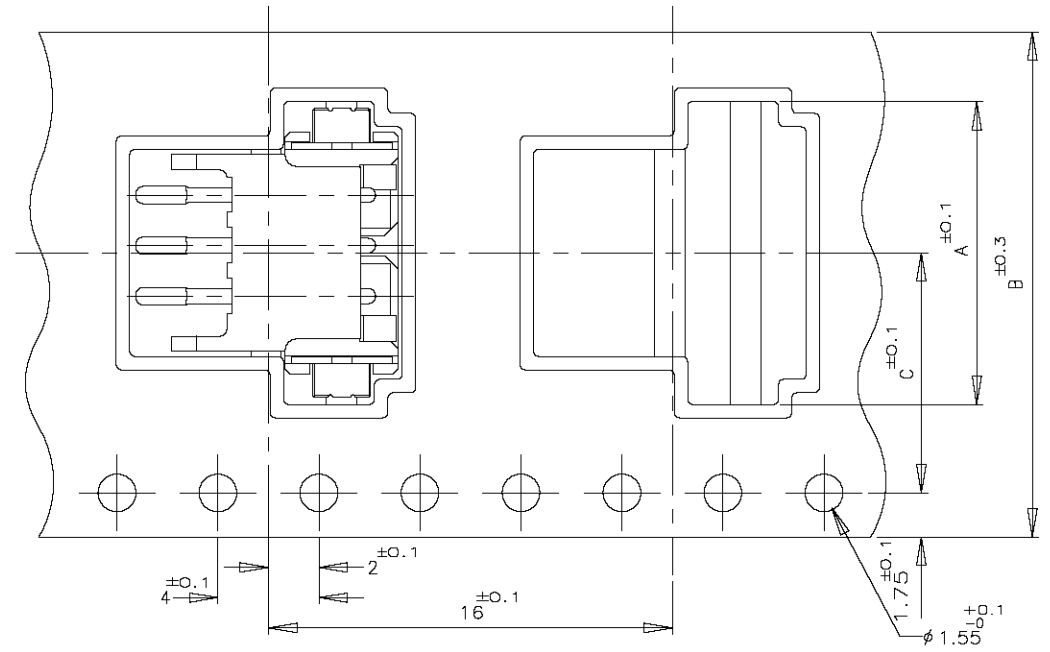
tyco Electronics Tyco Electronics Corporation
 Shanghai, P.R.China, 200233

NAME: ON TAPING (EMBOSS)
 AMP CT CONNECTOR POST HEADER ASS'Y
 (BOX-H SMT TYPE W/BOSS & TAIL)

SIZE: A3 CAGE CODE: 00779 DRAWING NO: ©-292173 RESTRICTED TO: -

CUSTOMER DRAWING SCALE: / / SHEET: 1 OF 6 REV: C

(AS SHOWN : 3P)



FOR 7P ONLY
 THREE KINDS OF DIFFERENT POCKETS AS 1 SET
 USED FOR 7P ONLY

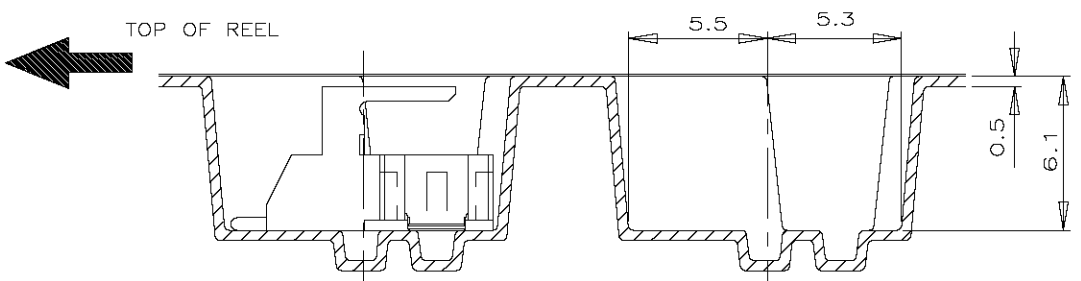
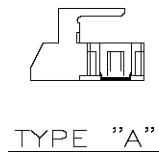


Fig-1

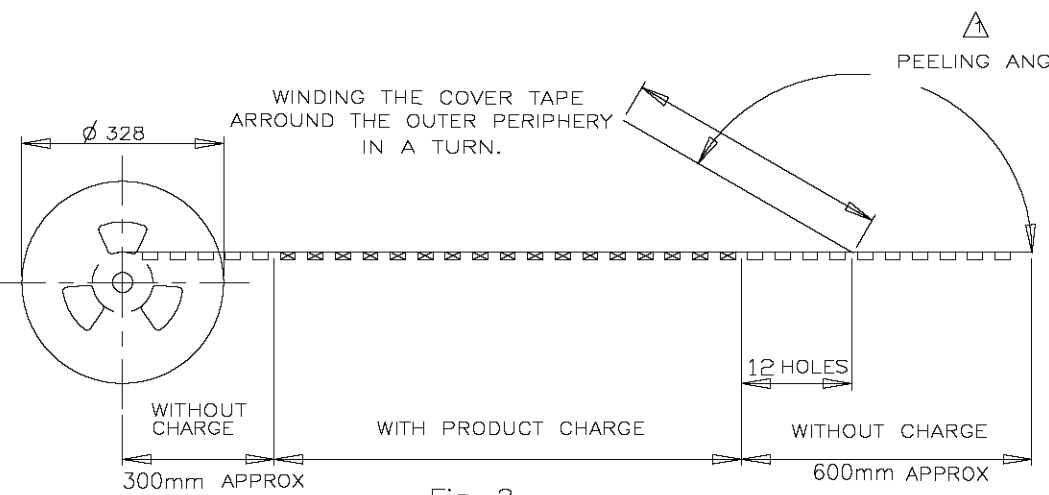


Fig-2

TOLERANCE UNLESS OTHERWISE SPECIFIED:

10 > *	: ±0.2
30 > * > 10	: ±0.25
100 > * > 30	: ±0.3
ANGLE	: ±3°

NOTES:
 PEELING RESISTANCE : 0.196N-0.686N (20gf-70gf)
 SPEED : 300mm/min

THIS DRAWING IS A CONTROLLED DOCUMENT.		DWN
DIMENSIONS: MM		CHK
TOLERANCES UNLESS OTHERWISE SPECIFIED:		APVD
0 PLC	±	PRODUCT SPEC
1 PLC	±	APPLICATION SPEC
2 PLC	±	WEIGHT
3 PLC	±	
4 PLC	±	
ANGLES	±	
MATERIAL	FINISH	

NATURAL	WITH	A	20.2	44	24	500	9	3-292173-9
		A	20.2	44	22		8	3- -8
		A	14.2	32	20		7	3- -7
		A	14.2	32	18		6	3- -6
		A	11.5	24	16		5	3- -5
		A			14		4	3- -4
		A			12		3	3- -3
		A	11.5	24	10		2	3- -2
	BLACK		A	20.2	44	24		9
		A	20.2	44	22		8	2- -8
		A	14.2	32	20		7	2- -7
		A	14.2	32	18		6	2- -6
		A	11.5	24	16		5	2- -5
		A			14		4	2- -4
		A			12		3	2- -3
WITH		A	11.5	24	10	500	2	2-292173-2
COLOR		PLATE	TYPE OF BOSS	C	B	A	QTY/REEL	Pos

tyco Electronics Tyco Electronics Corporation
 Shanghai, P.R.China,200233

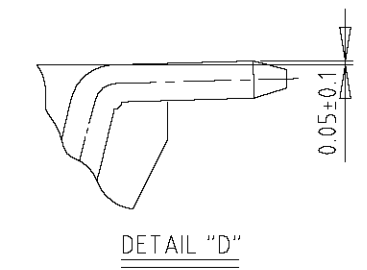
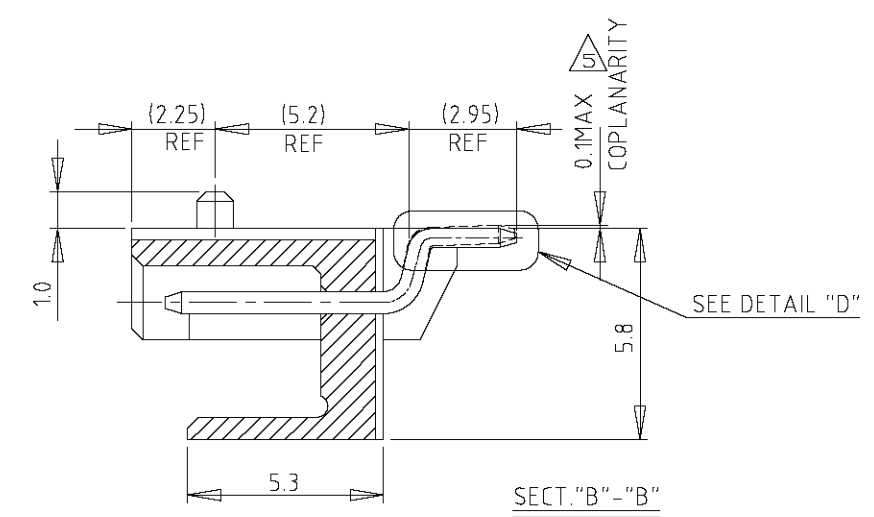
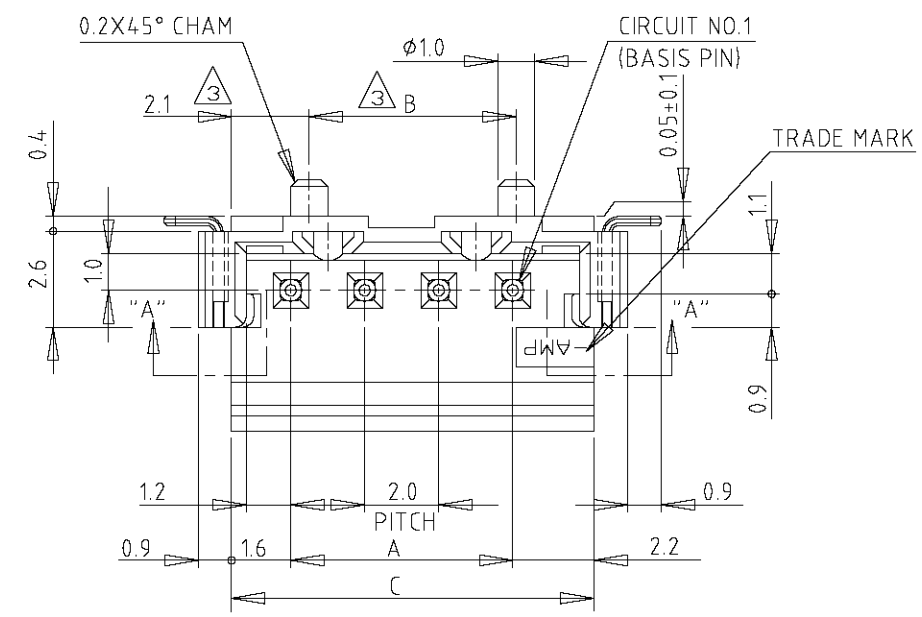
ON TAPING (EMBOSS)
 AMP CT CONNECTOR POST HEADER ASS'Y
 (BOX-H SMT TYPE W/O BOSS & W/ TAIL)

SIZE: A3 CAGE CODE: 00779 DRAWING NO: ©=292173 RESTRICTED TO: -

CUSTOMER DRAWING SCALE: 1:1 SHEET: 2 OF 6 REV: C

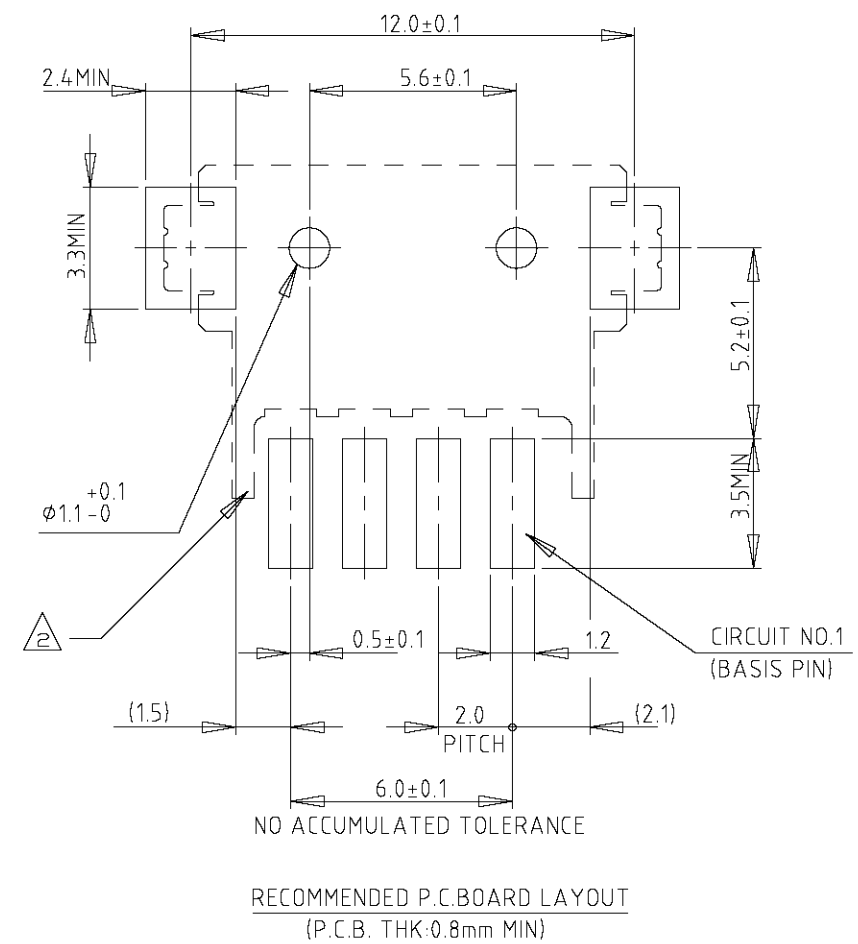
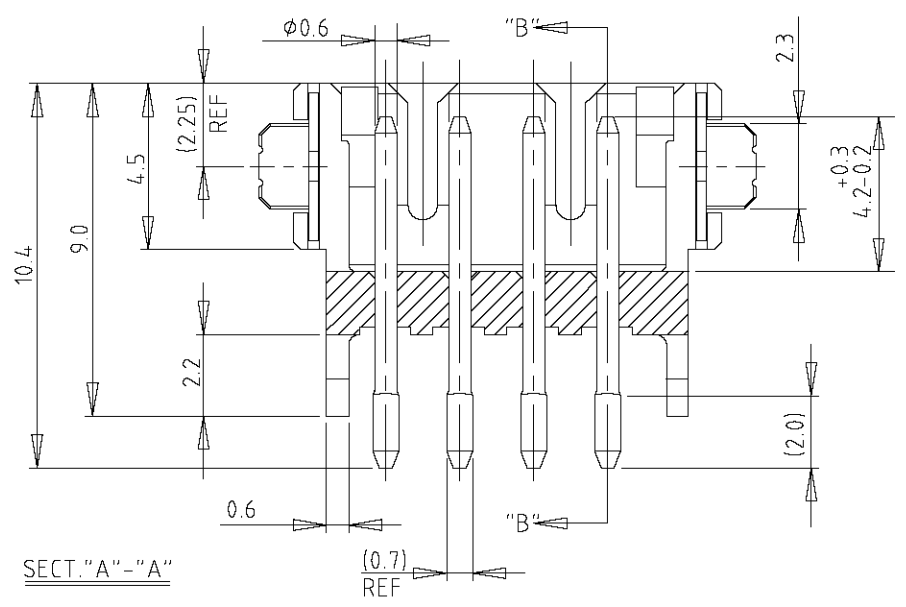
THIS DRAWING IS UNPUBLISHED. RELEASED FOR PUBLICATION
 © COPYRIGHT BY TYCO ELECTRONICS CORPORATION. ALL RIGHTS RESERVED.

LOC	DIST	REVISIONS					
ES	00	P	LTR	DESCRIPTION	DATE	DWN	APVD
				SEE SHEET 1			

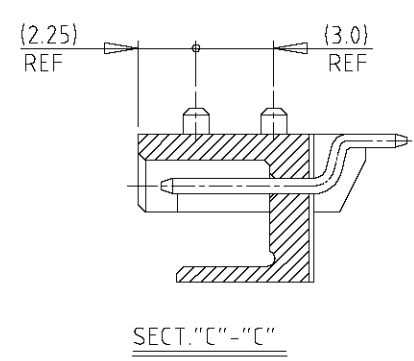
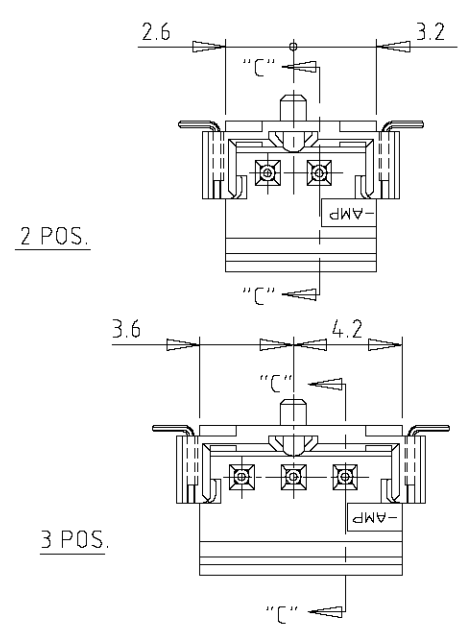


(AS SHOWN : -4)

- NOTES:
- MATERIAL:HSG-6T PA(G.F.30%)(UL94V-0)
 COLOR:BLACK ,NATURAL
 POST: TIN BRASS
 TAIL: TIN BRASS
 - OCCUPANT AREA ON PC BOARD
 - 4P&ABOVE POS.
 - 2P&3P
 - TO BE MEASURED WITH CONNECTOR PLACED ON HORIZONTAL DATUM SURFACE ,FLOAT OF SOLDER TINE AND TAIL FROM DATUM SURFACE IS 0.1mm MAX



16.0	15.6	19.8	22.0	9	1-292173-9	292173-9
14.0	13.6	17.8	20.0	8	1- -8	-8
12.0	11.6	15.8	18.0	7	1- -7	-7
10.0	9.6	13.8	16.0	6	1- -6	-6
8.0	7.6	11.8	14.0	5	1- -5	-5
6.0	5.6	9.8	--	4	1- -4	-4
4.0	--	7.8	--	3	1- -3	-3
2.0	--	5.8	--	2	1-292173-2	292173-2
A	B	C	D	Pos.	NATURAL	BLACK
						P/N



TOLERANCES UNLESS OTHERWISE SPECIFIED:
 10≥x : ± 0.2
 30≥x>10 : ± 0.25
 100≥x>30 : ± 0.3
 ANGEL : ± 3°

THIS DRAWING IS A CONTROLLED DOCUMENT.

DIMENSIONS: MM	TOLERANCES UNLESS OTHERWISE SPECIFIED: 0 PLC ± - 1 PLC ± - 2 PLC ± - 3 PLC ± - 4 PLC ± - ANGLES ± -	DWN CHK APVD PRODUCT SPEC 108-60016 APPLICATION SPEC WEIGHT	 Tyco Electronics Corporation SHANGHAI, CHINA, 200233 NAME SMT TYPE POST HDR ASS'Y (H) WITH BOSS & TAIL TYPE (AMP CT CONN. 2mm PITCH) SIZE A3 CAGE CODE 00779 DRAWING NO C-292173 RESTRICTED TO CUSTOMER DRAWING SCALE 5:1 SHEET 3 OF 6 REV C
----------------	---	---	---

MATERIAL: SEE NOTE FINISH: SEE NOTE

THIS DRAWING IS UNPUBLISHED. RELEASED FOR PUBLICATION

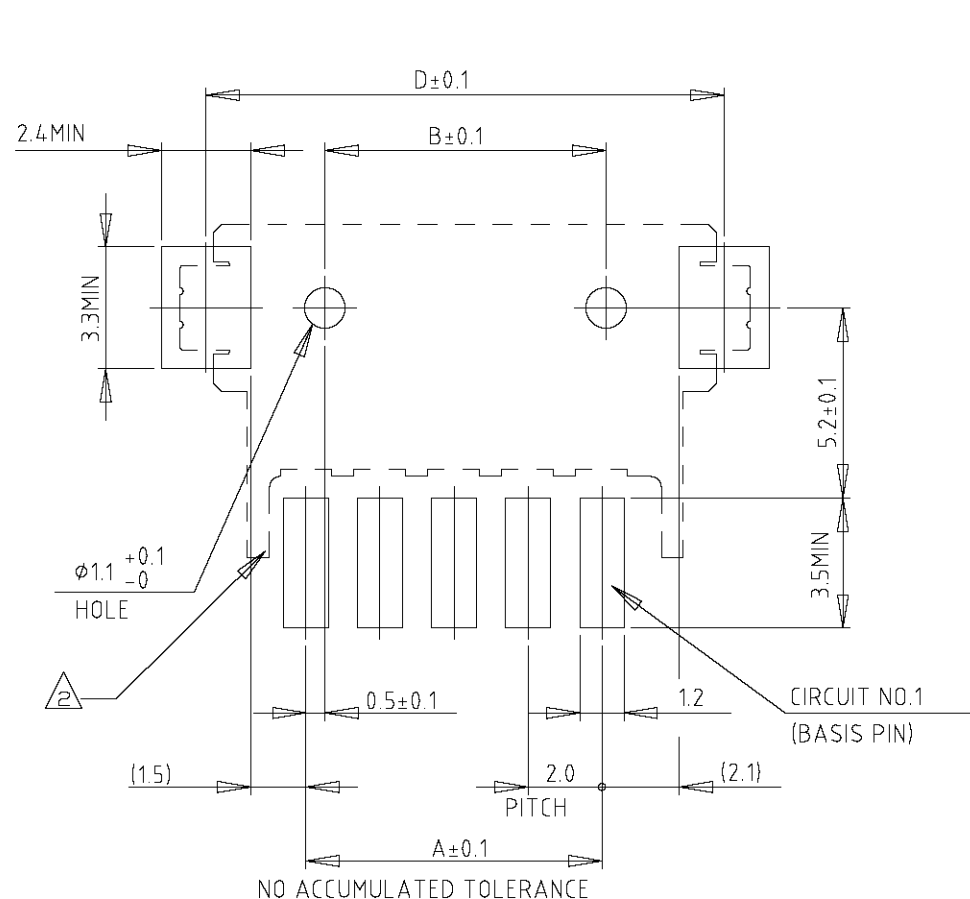
© COPYRIGHT BY TYCO ELECTRONICS CORPORATION. ALL RIGHTS RESERVED.

LOC ES DIST 00

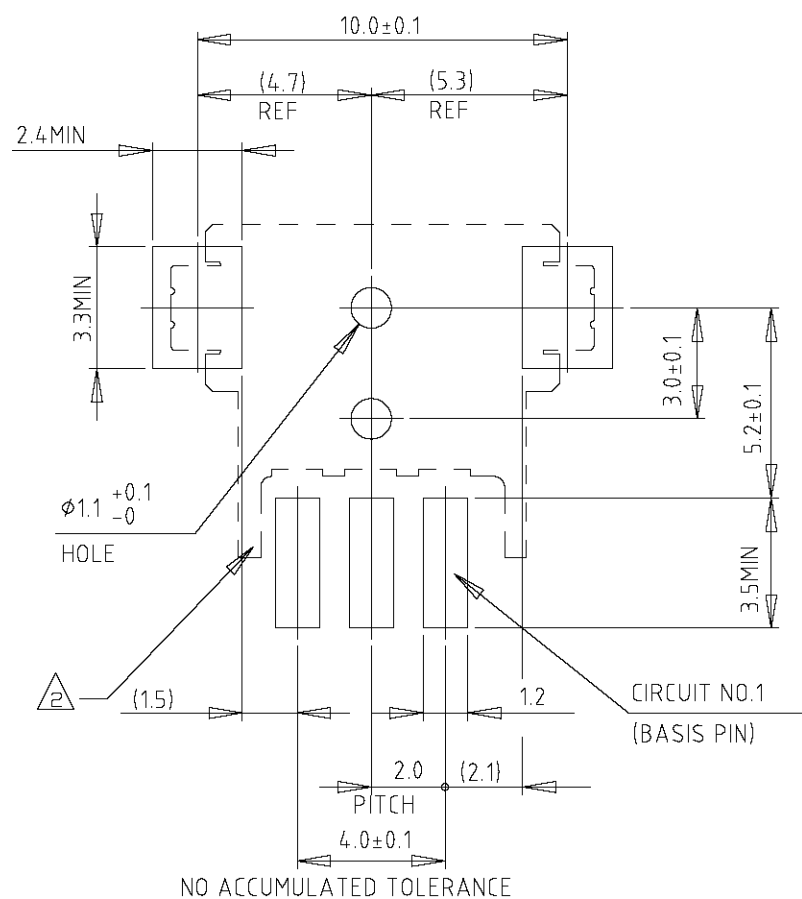
REVISIONS

P	LTR	DESCRIPTION	DATE	DWN	APVD
-	-	SEE SHEET 1	-	-	-

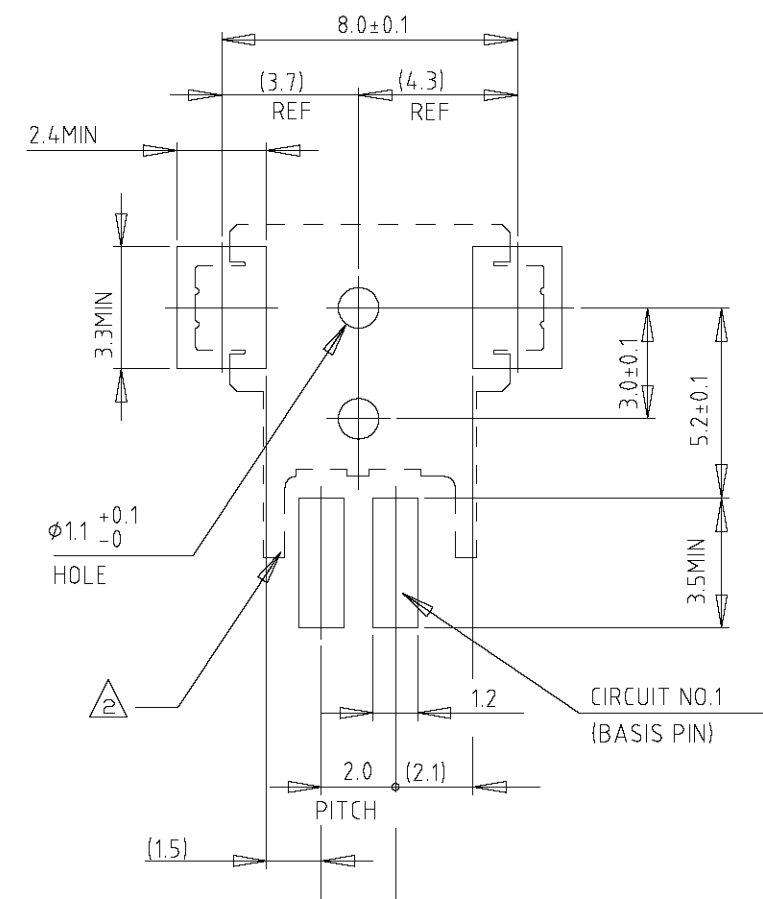
LAYOUT FOR 292173-X,1-292173-X



5 POS. & ABOVE POS.



3 POS.



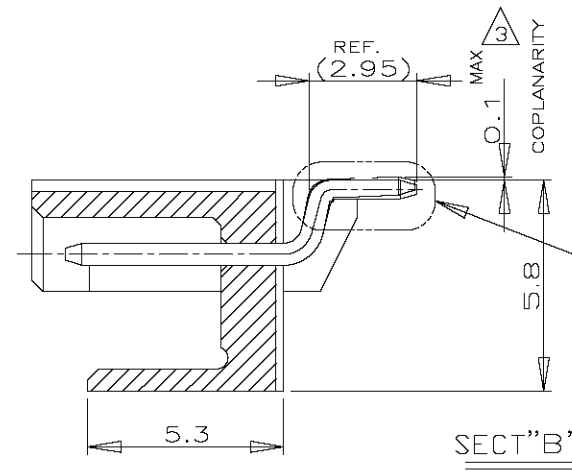
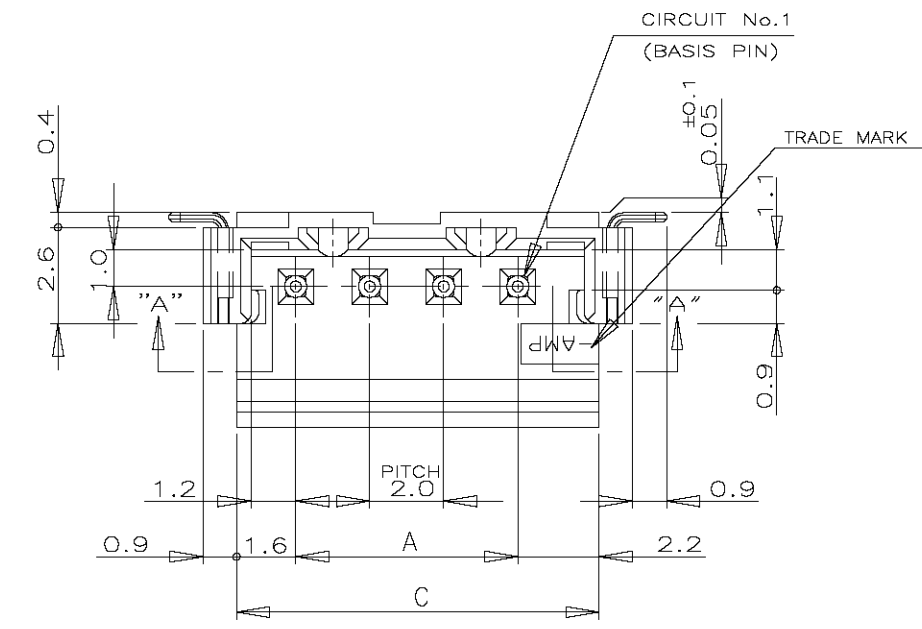
2 POS.

RECOMMENDED P.C. BOARD LAYOUT
(P.C.B THK:0.8mm MIN)

THIS DRAWING IS A CONTROLLED DOCUMENT.		DWN	tyco Tyco Electronics Corporation		
DIMENSIONS: MM		CHK	SHANGHAI, CHINA, 200233		
TOLERANCES UNLESS OTHERWISE SPECIFIED:		APVD	NAME		
0 PLC ± -		PRODUCT SPEC	SMT TYPE POST HDR ASS'Y (H)		
1 PLC ± -		APPLICATION SPEC	WITH BOSS & TAIL TYPE		
2 PLC ± -		WEIGHT	(AMP CT CONN. 2mm PITCH)		
3 PLC ± -		SIZE	CAGE CODE	DRAWING NO	RESTRICTED TO
4 PLC ± -		A3	00779	©=292173	-
ANGLES ± -		CUSTOMER DRAWING			
FINISH		SCALE	SHEET	OF	REV
		5:1	4	6	C

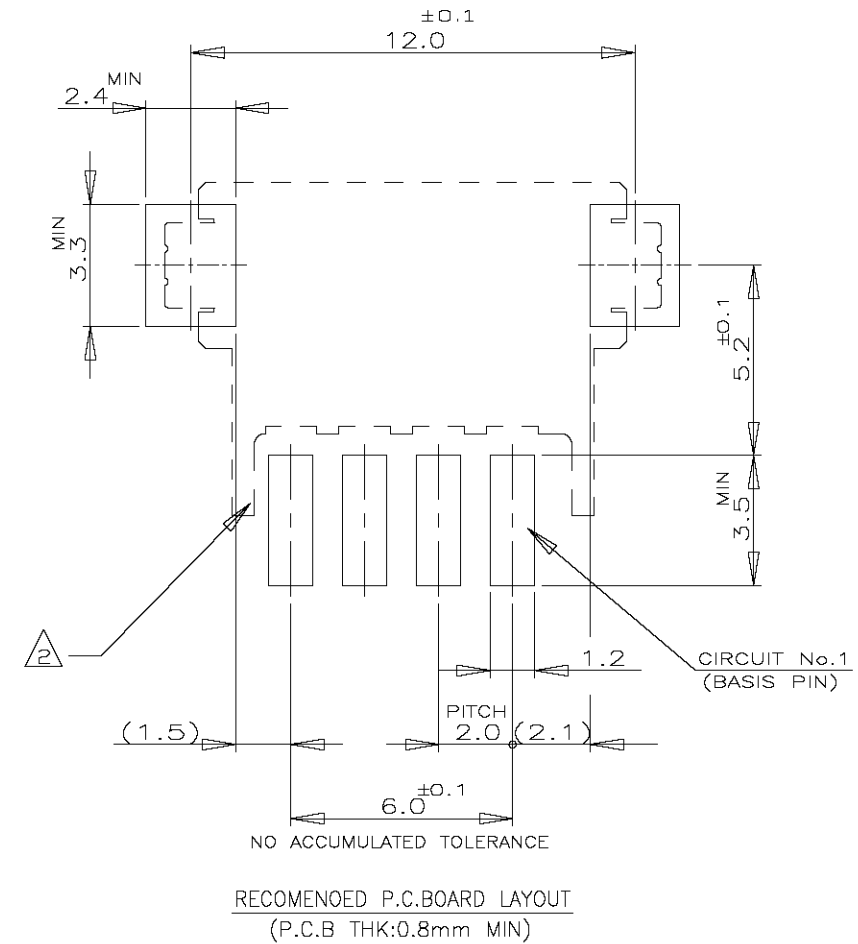
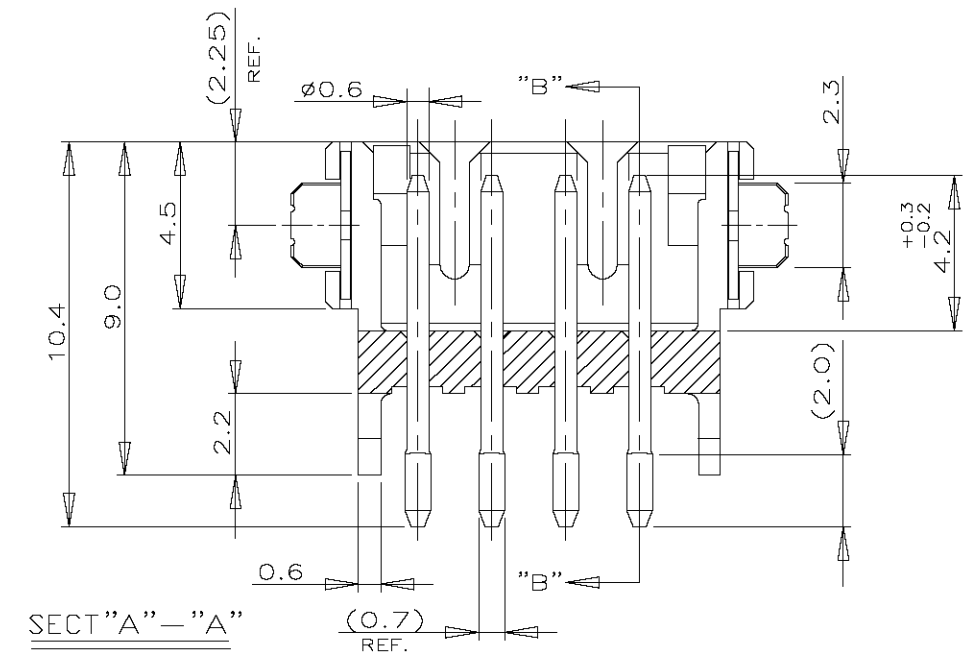
THIS DRAWING IS UNPUBLISHED. RELEASED FOR PUBLICATION
 © COPYRIGHT BY TYCO ELECTRONICS CORPORATION. ALL RIGHTS RESERVED.

LOC	DIST	REVISIONS					
ES	00	P	LTR	DESCRIPTION	DATE	DWN	APVD
		-	-	SEE SHEET 1	-	-	-

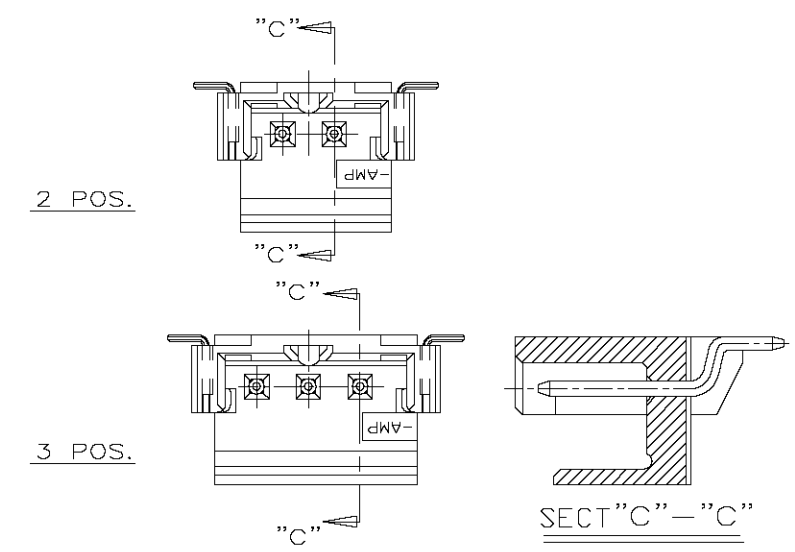


(AS SHOWN :4P)

- NOTES;
- MATERIAL : HSG-6T PA(G.F.30%)(UL94V-0)
 COLOR:BLACK,NATURAL
 POST:TIN BRASS
 TAIL: TIN BRASS
 - △ OCCUPANT AREA ON PC BOARD
 - △ TO BE MEASURED WITH CONNECTOR PLACED ON HORIZONTAL DATUM SURFACE,FLOAT OF SOLDER TINE AND TAIL FROM DATUM SURFACE IS 0.1mm MAX



16.0	19.8	22.0	9	3-292173-9	2-292173-9
14.0	17.8	20.0	8	3- -8	2- -8
12.0	15.8	18.0	7	3- -7	2- -7
10.0	13.8	16.0	6	3- -6	2- -6
8.0	11.8	14.0	5	3- -5	2- -5
6.0	9.8	--	4	3- -4	2- -4
4.0	7.8	--	3	3- -3	2- -3
2.0	5.8	--	2	3-292173-2	2-292173-2
A	C	D	Pos.	NATURAL	BLACK
P/N					



TOLERANCES UNLESS OTHERWISE SPECIFIED:

10**	±0.2
30**>10	±0.25
100**>30	±0.3
ANGEL	±3°

THIS DRAWING IS A CONTROLLED DOCUMENT.

DIMENSIONS: MM	TOLERANCES UNLESS OTHERWISE SPECIFIED:	DWN	CHK	APVD	PRODUCT SPEC	108-60016	APPLICATION SPEC	WEIGHT	-
MATERIAL	SEE NOTE	FINISH	SEE NOTE	Tyco Electronics Corporation SHANGHAI, CHINA, 200233		NAME		SMT TYPE POST HDR ASS'Y (BOX-H) W/O BOSS,WITH TAIL TYPE (AMP CT CONN. 2mm PITCH)	
CUSTOMER DRAWING		SCALE	5:1	SHEET	5	OF	6	REV	C

SIZE A3 CAGE CODE 00779 DRAWING NO C-292173 RESTRICTED TO

4

3

2

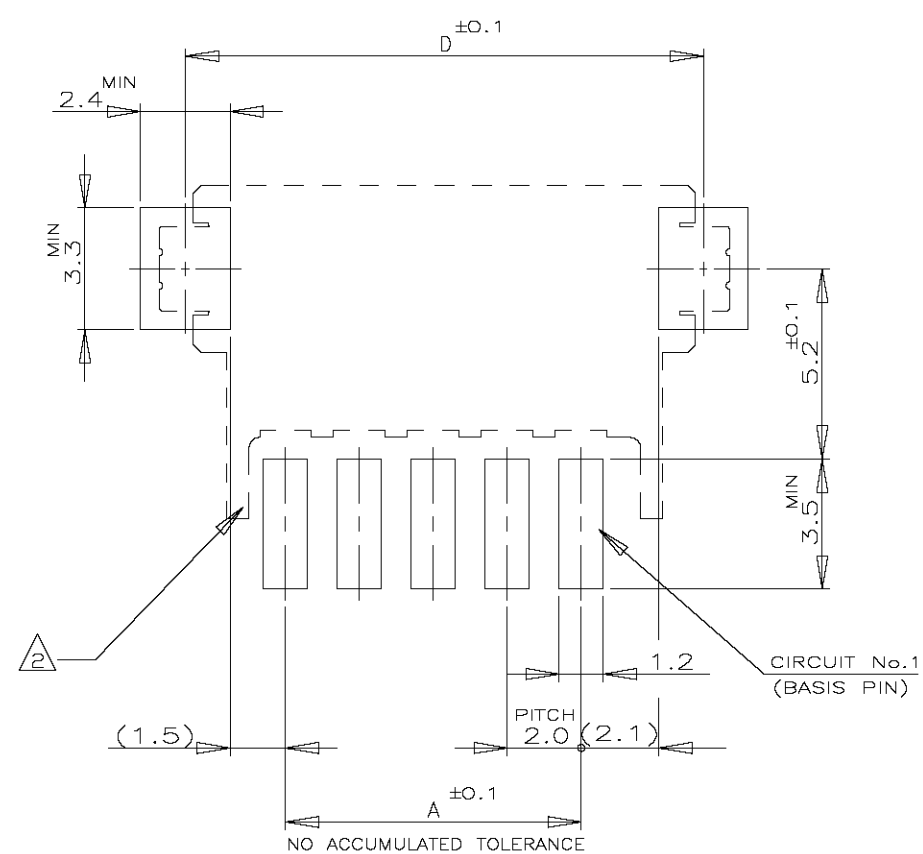
1

THIS DRAWING IS UNPUBLISHED. RELEASED FOR PUBLICATION

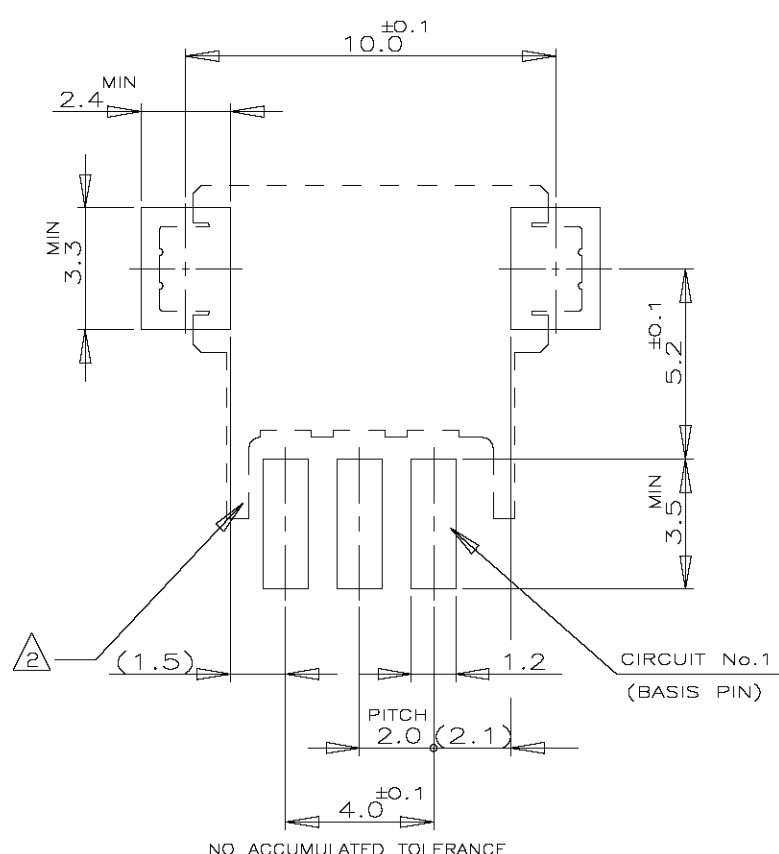
© COPYRIGHT BY TYCO ELECTRONICS CORPORATION. ALL RIGHTS RESERVED.

LOC	DIST	REVISIONS					
ES	00	P	LTR	DESCRIPTION	DATE	DWN	APVD
		-		SEE SHEET 1	-	-	-

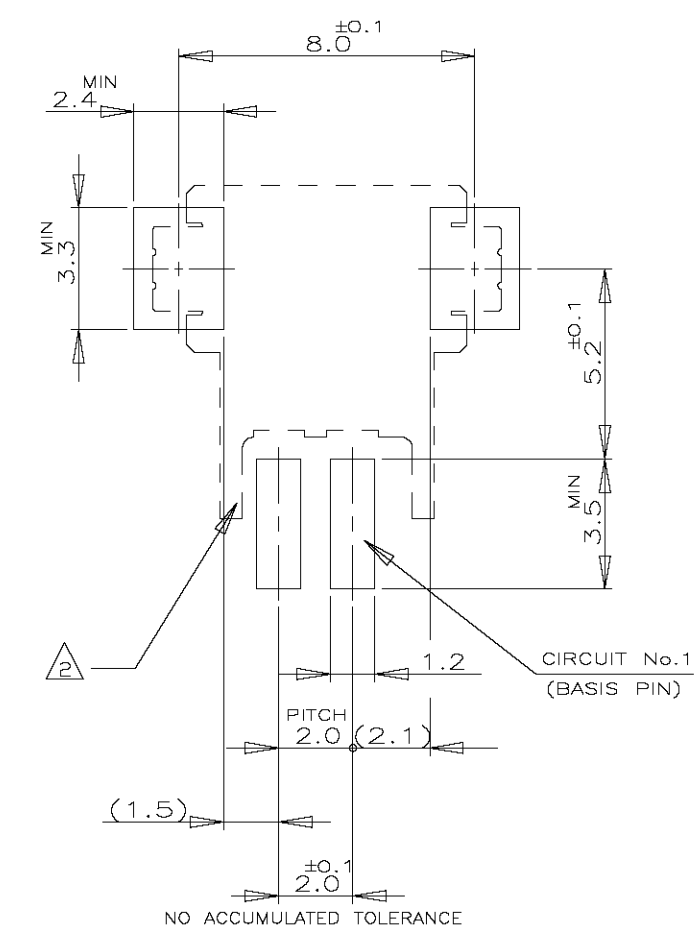
LAYOUT FOR 2-292173-X,3-2-292173-X



5 POS & ABOVE POS



3 POS



2 POS

RECOMENED P.C.BOARD LAYOUT (P.C.B THK:0.8mm MIN)

THIS DRAWING IS A CONTROLLED DOCUMENT.		DWN	06DEC2002	tyco Electronics	Tyco Electronics Corporation	
DIMENSIONS: MM		CHK	-		SHANGHAI, CHINA, 200233	
TOLERANCES UNLESS OTHERWISE SPECIFIED:		APVD	-	NAME		
0 PLC	±	PRODUCT SPEC	-	SMT TYPE POST HDR ASS'Y (H)		
1 PLC	±	APPLICATION SPEC	-	W/O,WITH TAIL TYPE		
2 PLC	±	WEIGHT	-	(AMP CT CONN. 2mm PITCH)		
3 PLC	±	SIZE	A3	CAGE CODE	00779	DRAWING NO
4 PLC	±	CUSTOMER DRAWING	©=292173		RESTRICTED TO	-
ANGLES	±	SCALE	5:1	SHEET	6 OF 6	REV
FINISH	-					C