

## Han 70A crimp module 1500V, female

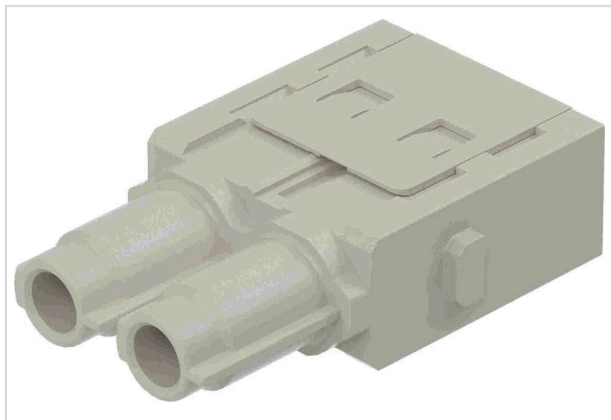


Image is for illustration purposes only. Please refer to product description.

Part number	09 14 002 3142
Specification	Han 70A crimp module 1500V, female
HARTING eCatalogue	<a href="https://harting.com/09140023142">https://harting.com/09140023142</a>

### Identification

Category	Modules
Series	Han-Modular®
Type of module	Han® 70 A module
Size of the module	Single module

### Version

Termination method	Crimp termination
Gender	Female
Number of contacts	2
Details	Please order crimp contacts separately.

### Technical characteristics

Conductor cross-section	6 ... 25 mm <sup>2</sup>
Wire outer diameter	≤11.5 mm
Rated current	70 A
Rated voltage	1,500 V
Rated impulse voltage	8 kV
Pollution degree	3
Insulation resistance	>10 <sup>10</sup> Ω
Limiting temperature	-40 ... +125 °C
Mating cycles	≥500



Pushing Performance  
Since 1945

## Material properties

Material (insert)	Polycarbonate (PC)
Colour (insert)	RAL 7032 (pebble grey)
Material flammability class acc. to UL 94	V-0
RoHS	compliant
ELV status	compliant
China RoHS	e
REACH Annex XVII substances	Not contained
REACH ANNEX XIV substances	Not contained
REACH SVHC substances	Not contained
California Proposition 65 substances	Not contained
Fire protection on railway vehicles	EN 45545-2 (2020-08) + A1 (2023-10)
Requirement set with Hazard Levels	R22 (HL 1-3) R23 (HL 1-3)

## Specifications and approvals

Specifications	IEC 60664-1 IEC 61984
----------------	--------------------------

## Commercial data

Packaging size	2
Net weight	11.767 g
Country of origin	China
European customs tariff number	85389099
GTIN	5713140479456
eCl@ss	27440217 Module for industrial connectors (power/signals)
ETIM	EC000438
UNSPSC 24.0	39121552