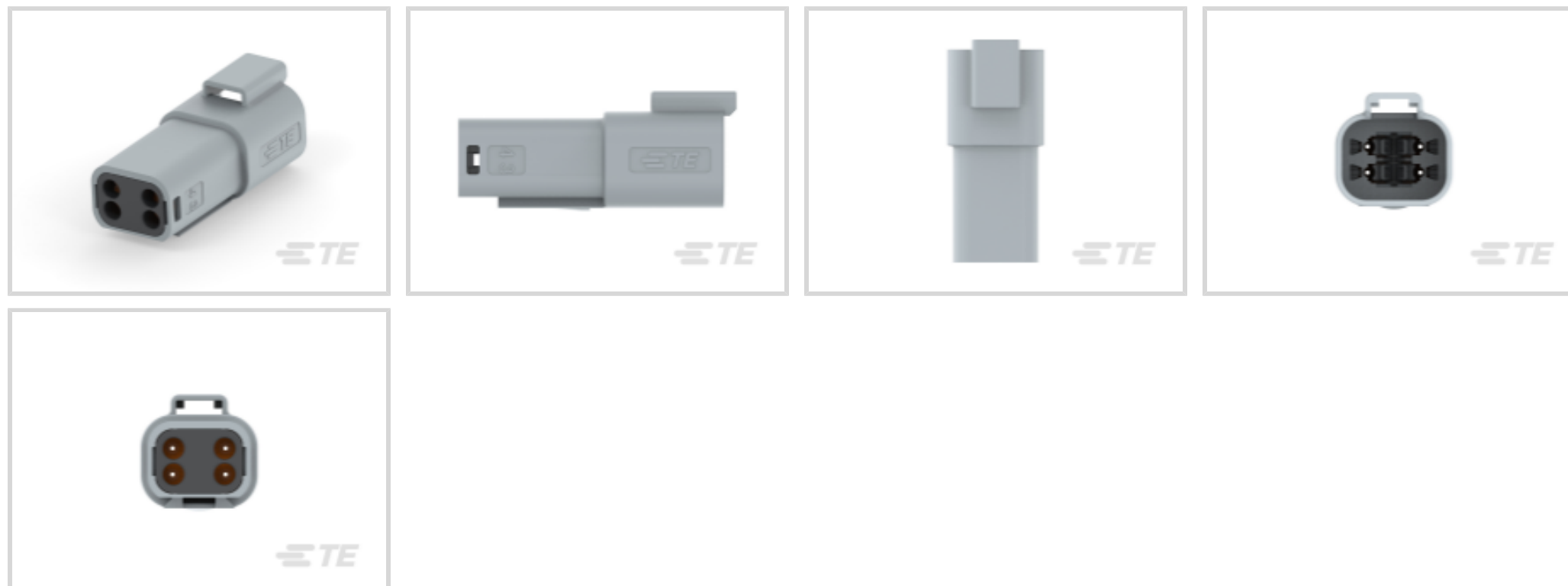




Automotive Parts > Automotive Connectors > Automotive Housings



Nominal Voltage Architecture: 12 V

Connector & Housing Type: **Receptacle**

Number of Positions: 4

Sealable: **Yes**

Number of Rows: 2

## Features

### Product Type Features

Mixed & Hybrid Connector	No
Connector Shape	Rectangular
Connector & Housing Type	Receptacle
Sealable	Yes
Primary Locking Feature	Integrated in Housing
Connector System	Wire-to-Wire
Connector & Contact Terminates To	Wire & Cable

### Configuration Features

Number of Positions	4
Number of Rows	2

### Electrical Characteristics

Nominal Voltage Architecture	12 V
------------------------------	------

### Body Features

Cable Exit Angle	180 °
Primary Product Color	Gray

### Contact Features

Contact Size	Size 16
--------------	---------

### Mechanical Attachment

Strain Relief	Without
Terminal Position Assurance	No
Mating Alignment Type	Polarization
Mating Alignment	With
Connector Mounting Type	Cable Mount (Free-Hanging)

### Housing Features

Housing Material	PA 66 GF30
Centerline (Pitch)	2.6 mm[.102 in]

### Usage Conditions

Operating Temperature (Max)	125 °C[257 °F]
-----------------------------	----------------

### Operation/Application

Circuit Application	Power
---------------------	-------

### Packaging Features

Packaging Method	Box
Packaging Quantity	500

### Other

Connector Position Assurance Capable	No
--------------------------------------	----

### Product Compliance

[For compliance documentation, visit the product page on TE.com>](#)

EU RoHS Directive 2011/65/EU	Compliant
EU ELV Directive 2000/53/EC	Compliant
China RoHS 2 Directive MIIT Order No 32, 2016	有害物质含量符合标准要求 No Restricted Substance(s) Above Threshold
EU REACH Regulation (EC) No. 1907/2006	Current ECHA Candidate List: JUNE 2025 (250) Candidate List Declared Against: JAN 2024 (240) SVHC > Threshold: Octamethylcyclotetrasiloxane (D4) (.5% in Component Part)



Dodecamethylcyclhexasiloxane (D6) (.5% in Component Part)  
 Decamethylcyclopentasiloxane (D5) (.5% in Component Part)

**Article Safe Usage Statements:**  
 Wash thoroughly after handling. Recycle if possible and dispose of the article by following all applicable governmental regulations relevant to your geographic location.

Halogen Content Low Halogen - Br, Cl, F < 900 ppm per homogenous material. Also BFR/CFR/PVC Free

Solder Process Capability Not reviewed for solder process capability

Product Compliance Disclaimer

This information is provided based on reasonable inquiry of our suppliers and represents our current actual knowledge based on the information they provided. This information is subject to change. The part numbers that TE has identified as EU RoHS compliant have a maximum concentration of 0.1% by weight in homogenous materials for lead, hexavalent chromium, mercury, PBB, PBDE, DBP, BBP, DEHP, DIBP, and 0.01% for cadmium, or qualify for an exemption to these limits as defined in the Annexes of Directive 2011/65/EU (RoHS2). Finished electrical and electronic equipment products will be CE marked as required by Directive 2011/65/EU. Components may not be CE marked. Additionally, the part numbers that TE has identified as EU ELV compliant have a maximum concentration of 0.1% by weight in homogenous materials for lead, hexavalent chromium, and mercury, and 0.01% for cadmium, or qualify for an exemption to these limits as defined in the Annexes of Directive 2000/53/EC (ELV). Regarding the REACH Regulation, the information TE provides on SVHC in articles for this part number is based on the latest European Chemicals Agency (ECHA) 'Guidance on requirements for substances in articles' posted at this URL: <https://echa.europa.eu/guidance-documents/guidance-on-reach>

Also in the Series | **DEUTSCH DT-XT**



Automotive Housings(12)

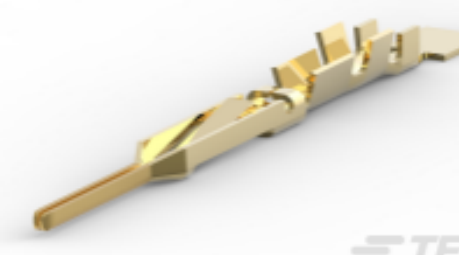
Customers Also Bought



TE Part #DT04-4P-C015  
 REC, 4P, GRY, E



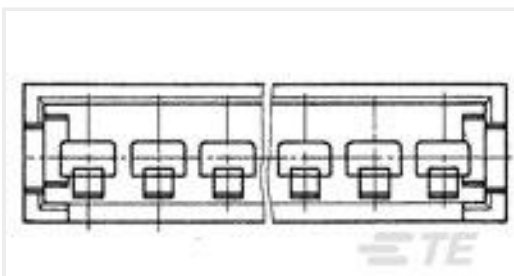
TE Part #1011-237-0405  
 BKSHL, 4P, BLK, REC, ST, NW6/7.5/8.5 /10



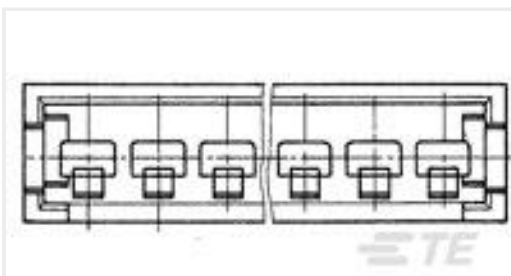
TE Part #86561-6  
 ROUND WIRE PIN L.P.



TE Part #180429-2  
 250 FASTON, FLAG, REC., 17-14 AWG, TPBR



TE Part #280629  
AMPMODU II COSI PIN HSG, SGL  
ROW, 4 POS.



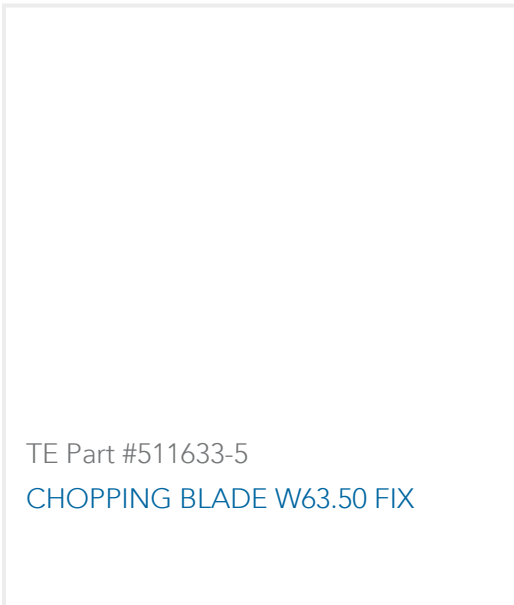
TE Part #280630  
AMPMODU II COSI PIN HSG, SGL  
ROW, 6 POS.



TE Part #9-338728-0  
MICROM. MOB SMD CON



TE Part #347874-1  
CABLE SEAL LC SILICON 0.5 T



TE Part #511633-5  
CHOPPING BLADE W63.50 FIX



TE Part #284844-6  
12 POS MCP HYBRID MALE  
CONNECTOR SEALED

## Documents

### Product Drawings

#### 4CCT GREY RECEP W/SMALL SEAL

English

### CAD Files

#### 3D PDF

3D

#### Customer View Model

[ENG\\_CVM\\_CVM\\_2600030-2\\_1.2d\\_dxf.zip](#)

English

#### Customer View Model

[ENG\\_CVM\\_CVM\\_2600030-2\\_1.3d\\_igs.zip](#)

English

#### Customer View Model

[ENG\\_CVM\\_CVM\\_2600030-2\\_1.3d\\_stp.zip](#)

English

By downloading the CAD file I accept and agree to the [Terms and Conditions](#) of use.

### Product Specifications

#### Application Specification

English