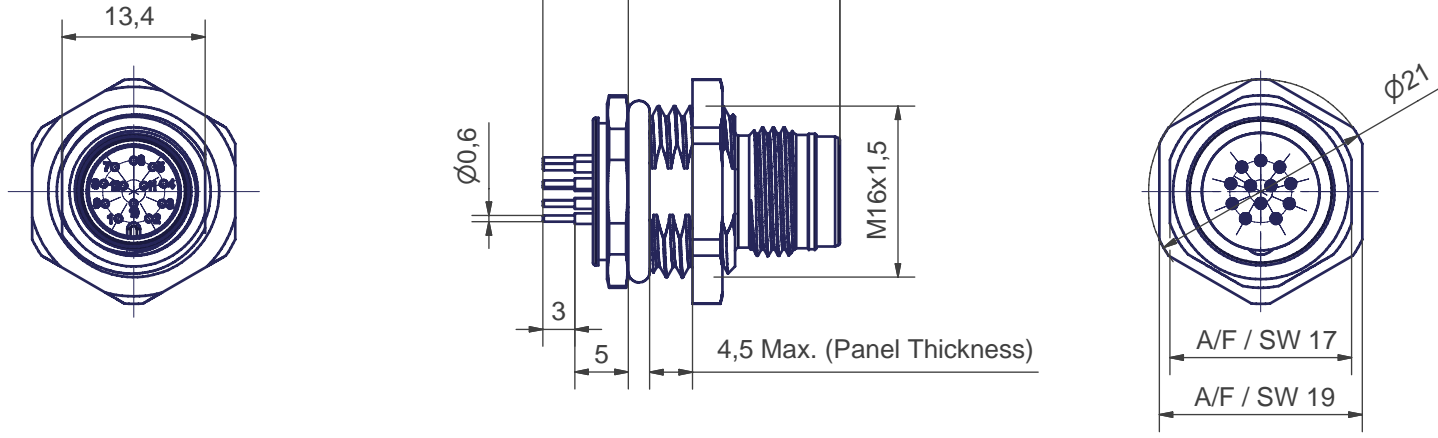
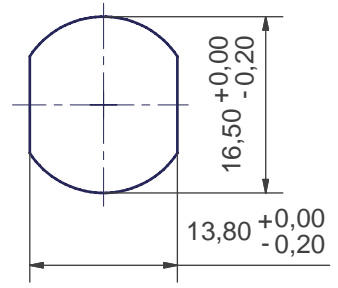


Eng Part No	SAP
WRCU46000	1200845091

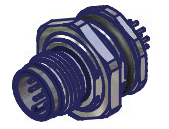


Allgemeine Kennwerte General Characteristics		Norm Standard		
Polzahl	Number of contacts	IEC 947-5-2	12	
Kontaktanordnung	Contact configuration			
Bemessungsspannung	Rated Voltage	IEC 664	30V AC / DC	
Verschmutzungsgrad	Pollution Degree	IEC 664	3	
Betriebsstrom	Current carrying capacity	IEC 512-3 Test 5 b	1,5A	
Durchgangswiderstand	Contact Resistance	IEC 512-2 Test 2 A	< 5mOhm	
Bemessungsstoßspannung	Rated Impulse Withstand Voltage	IEC 664	0,85kV	
Prüfspannung	Test Voltage	IEC 60512-2 Test 4 A	0,5kV / 60 sec	
Isolationswiderstand	Insulation Resistance	IEC 512-2 Test 3 A	< 10 GOhm	
IP - Schutzart	IP Degree Of Protection	IEC 529	IP 67	
Stift Durchmesser	Pin Diameter		0,6mm	
Werkstoffe	Kontakte	Materials	Kontakte	Kupferlegierung / copper alloy
	Kontaktoberfläche		Kontakte Plating	Au/Ni
	Kontaktträger		Dielectric Material	PA 6.6
	Dichtung (O-Ring)		Gaskets (O-Ring)	NBR
	Gehäuse		Housing	CuZn mit Ni-Oberfläche / Nickel Plated Brass
Anschlußart	Termination		Einlöt / Solder	
Brennbarkeit	Kontaktträger	Flammfähigkeit	Inserts	UL 94
	Leitung / Kabel		Cable	VDE 0472 / 804
Mechanische Lebensdauer	Mechanical Operation		500 Steckzyklen / Mating Cycles	
Temperaturbereich	Temperature Range	IEC 60668-1	-25°C / +90°C	

Panel Cutout



(1:1)



EC NO: WEU2010-0369 DRWN: NS 16.02.10 CHKD: FP 13.11.08 APPR: FP 18.02.10	QUALITY SYMBOLS =0 =0	GENERAL TOLERANCES (UNLESS SPECIFIED)	DIMENSION STYLE		SCALE	DESIGN UNITS	FIRST ANGLE PROJECTION
			mm	INCH	2:1	METRIC	
			DRAWN BY DATE		MIC 12-P REC Male-Back-M16x1.5		
3	DESCRIPTION	DRAFT WHERE APPLICABLE MUST REMAIN WITHIN DIMENSIONS	DRAWN BY DATE		MOLEX INCORPORATED		SHEET NO. 1 OF 1
			CHECKED BY DATE		SD-WRCU46000		
			APPROVED BY DATE		MATERIAL NO. DOCUMENT NO.		
SIZE A3		THIS DRAWING CONTAINS INFORMATION THAT IS PROPRIETARY TO MOLEX INCORPORATED AND SHOULD NOT BE USED WITHOUT WRITTEN PERMISSION					