

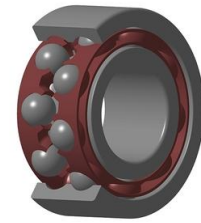


Brand of NTN corporation

Technical data

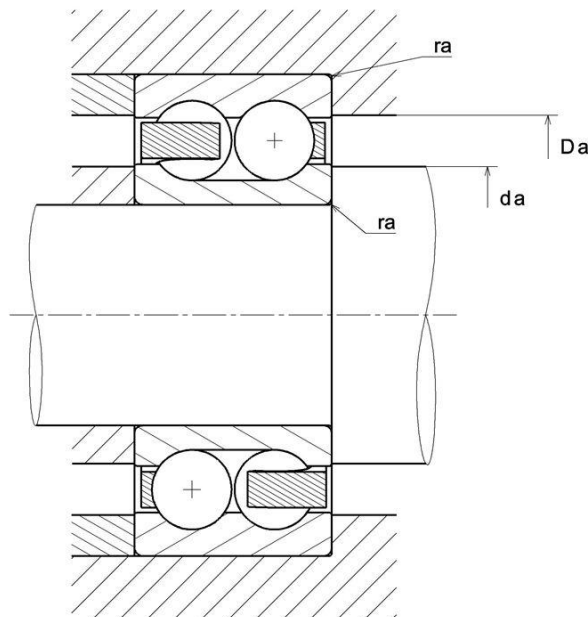
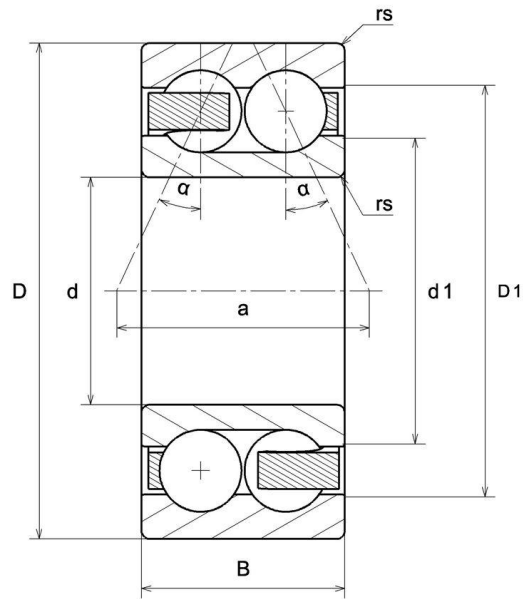
3200AC3

Double row angular contact ball bearings



Double row angular contact ball bearing, polyamide cage, open

VISUAL (S)



NTN Europe

1 rue des Usines · BP 2017 · 74010 Annecy Cedex · France · Tel. +33 (0)4 50 65 30 00
S.A. au capital de 322 639 919 € · RCS ANNECY B 325 821 072 · Id. Fiscale : FR 48 325 821 072
SIRET 325 821 072 00015 · Code APE 2815 Z · Code NACE 28.15

3200AC3

Double row angular contact ball bearings

PRODUCT DEFINITION

Brand	SNR
d - Internal diameter	10 mm
D - External diameter	30 mm
B - Bearing/Inner ring width	14 mm
d1 - External diameter inner ring	17,9 mm
D1 - Inner diameter outer ring	23,9 mm
a - Charge load application point	15,1 mm
- Contact angle	25 °
rs - Min fillet radius	0,6 mm
Radial clearance class	C3
Precision class	P0
Mass	0,043 kg

PRODUCT PERFORMANCE

C - Dynamic load	7600000 mN
C0 - Static load	4550000 mN
Cu - Fatigue limit load	290000 mN
f0 - Coefficient	13.8
N ref - Reference thermal speed	102000 °/s
N lim - Mechanical Limit Speed	138000 °/s
Tmin - Min operating temperature	253,15 °K
Tmax - Max operating temperature	393,15 °K

BEARING FREQUENCIES

BPFO - Over rolling frequency on outer ring (60 rpm)	3.178 Hz
---	----------



NTN Europe

1 rue des Usines · BP 2017 · 74010 Annecy Cedex · France · Tel. +33 (0)4 50 65 30 00
S.A. au capital de 322 639 919 € · RCS ANNECY B 325 821 072 · Id. Fiscale : FR 48 325 821 072
SIRET 325 821 072 00015 · Code APE 2815 Z · Code NACE 28.15

3200AC3

Double row angular contact ball bearings

BEARING FREQUENCIES

BPFI - Over rolling frequency on inner (60 rpm)	4.822 Hz
BSF - Over rolling frequency on rolling element (60 rpm)	4.224 Hz
BRF - Rotational frequency - rolling element (60 rpm)	2.112 Hz
FTF - Rotational frequency - cage (60 rpm)	0.397 Hz

ABUTMENT

da min - Min shoulder diameter IR	14 mm
Da max - Max shoulder diameter OR	26 mm
ra max - Max shaft & housing fillet radius	0,6 mm



NTN Europe

1 rue des Usines · BP 2017 · 74010 Annecy Cedex · France · Tel. +33 (0)4 50 65 30 00
S.A. au capital de 322 639 919 € · RCS ANNECY B 325 821 072 · Id. Fiscale : FR 48 325 821 072
SIRET 325 821 072 00015 · Code APE 2815 Z · Code NACE 28.15