

4

3

2

1

THIS DRAWING IS UNPUBLISHED.

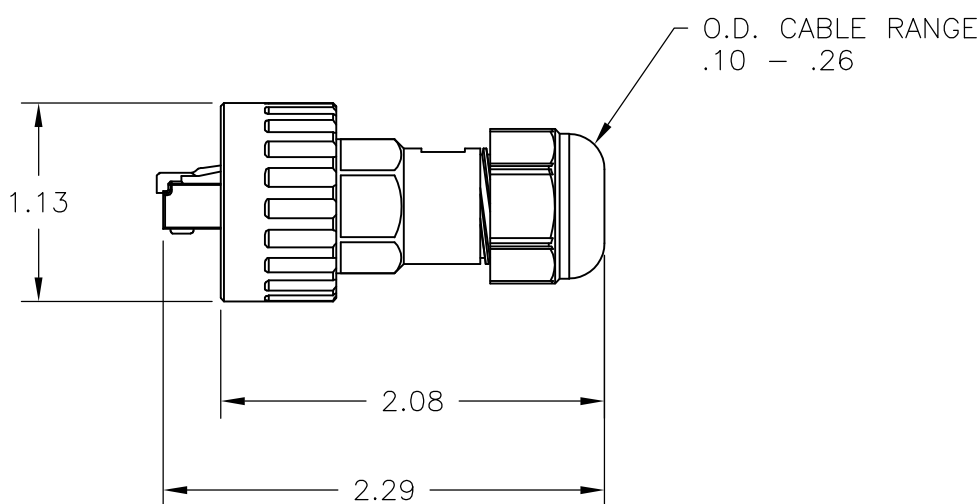
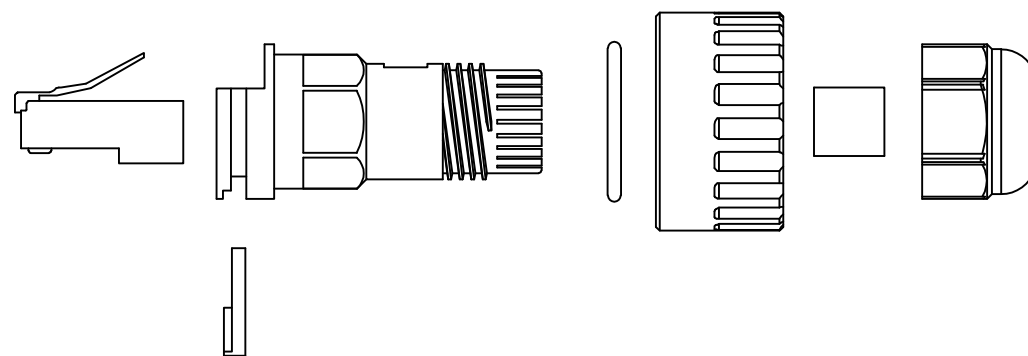
RELEASED FOR PUBLICATION

© COPYRIGHT - BY TYCO ELECTRONICS CORPORATION. ALL RIGHTS RESERVED.

LOC FT DIST 0

REVISIONS

P	LTR	DESCRIPTION	DATE	DWN	APVD
	D	REVISED PER ECO-07-010286	5/2/07	SS	MS



1546440-1  
PART NO.

THIS DRAWING IS A CONTROLLED DOCUMENT.		DWN S SCHLEGEL 10/29/02	Tyco Electronics Corporation Harrisburg, PA 17105-3608	
DIMENSIONS: INCHES		CHK H WAKEEM 10/29/02		
		APVD H WAKEEM 10/29/02	NAME	
TOLERANCES UNLESS OTHERWISE SPECIFIED:		PRODUCT SPEC	FIELD ATTACHABLE RJ-45 CONNECTOR 2.5-6.5MM ACCEPTABLE CABLE DIAMETER	
0 PLC ± -		APPLICATION SPEC	-	
1 PLC ± -		WEIGHT -	SIZE A3	CAGE CODE 00779
2 PLC ± .02		DRAWING NO C-1546440		RESTRICTED TO -
3 PLC ± .005		CUSTOMER DRAWING		
4 PLC ± -		SCALE NTS	SHEET 1 OF 1	REV D
ANGLES ± 2'				
MATERIAL -				
FINISH -				