

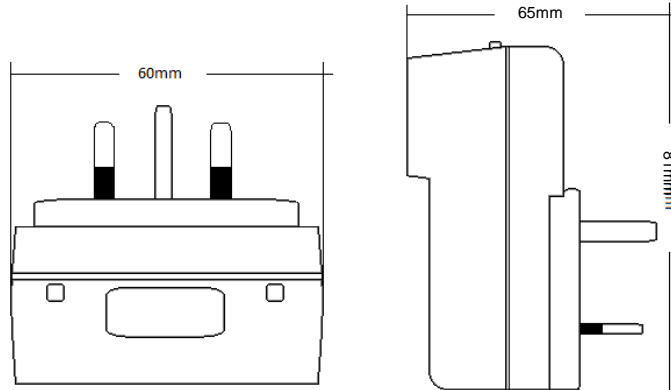
Data sheet



Time / Time Controllers

ETU17N – 24 Hour/7 Day Slimline Digital Plug-in Time Controller

Product Image & Line Diagram



Technical Data

General	
Operating Voltage	230v AC
Frequency	50Hz
Timer Mode	7 Day/24 Hour
Installation Type	Plug in timer
Switch Rating	13A Resistive (3kW) 2500W Incandescent / Halogen, 500W of fluorescent lighting, 100W LED lighting.
Operating Temperature	-10°C - 35°C
Battery	Factory fitted, Researchable (non-replaceable) 1000 Hours back - up
Functions	
Programs	24 / 7 day program (21 on/off) sets
Clock Format	24 Hour to AM/PM Format
Advance Function	Manual override until next programme
Optional Function	Random facility
Guarantee Period	3 Years
Dimensions	Height 81mm, Width 60mm, Depth 65mm
Weight	113g Unpacked
EAN	5012483015292
Construction	
Casing	Polycarbonate
Designed In Accordance To	BS 1363, BS EN 60730-2-7 Includes updates and amendments.



A theben Group Company
Article Number: ETU17N DS080221V1

