

1 Installation and Startup Guide

This document covers the installation of CTP107-E Series HMI, for the detailed specifications and operation, please refer to Brochure and Crouzet Touch Soft User Manual.

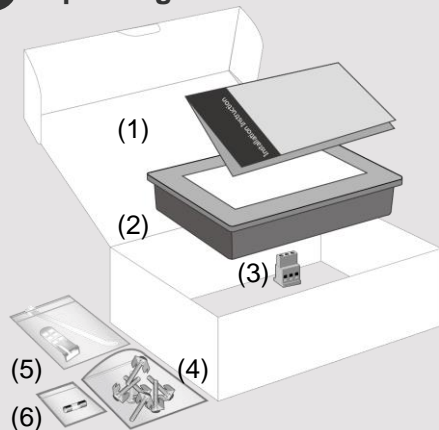
Handling and Storage:

Environmental Considerations	(1) Storage temperature -20°C/+60°C.
	(2) Do not let water penetrate into packaging boxes during their storage and transportation.
	(3) Do not store the product in places of high temperature or under direct sunlight.
	(4) Please also avoid the places of high humidity. Be sure not to expose the product to condensation, rain or frozen condition.

Install Environment:

NEMA Rating	CTP107-E Series HMI is NEMA 4 rated (Indoor Only).
Electrical Environment	CTP107-E Series HMI has been tested to conform to European CE requirements. This means that the circuitry is designed to resist the effects of electrical noise. This does not guarantee noise immunity in severe cases. Proper wire routing and grounding will insure proper operation.
Environmental Considerations	<ol style="list-style-type: none"> (1) Make sure that the displays are installed correctly and that the operating limits are followed. Avoid installing units in environments where severe mechanical vibration or shocks are present. (2) Do not operate the unit in areas subject to explosion hazards due to flammable gases, vapors or dusts. (3) Do not install the unit where acid gas, such as SO₂ exists. (4) This device should be mounted in the vertical position and for use on the flat surface enclosure. (5) Conform to UL508 (ISBN 0-7629-0404-6) machine safety for use in Pollution Degree 2 Environment.

2 Unpacking the Unit



(1) Installation Instruction, 2-sided A4 *1

(2) Human Machine Interface *1

(3) Power Connector *1

(4) Brackets & Screws *1 pack

(5) USB Stick Clamp & Tying Strap *1

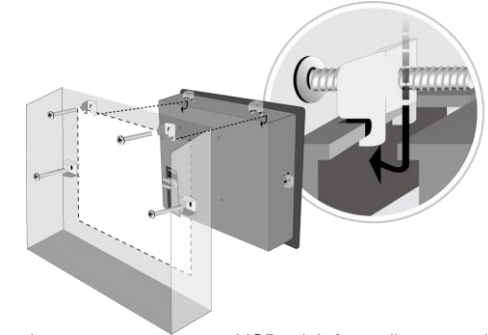
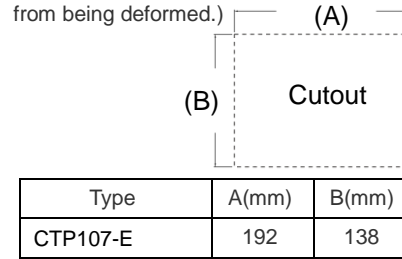
(6) Fuse 1.25A/250V 5*20mm *1

Unpack and check the delivery. If damage is found, notify the supplier.

NOTE:
Place the operator panel on a stable surface during installation. Dropping it or letting it fall may cause damage.

3 Installation Instructions

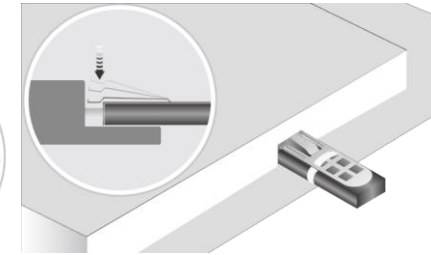
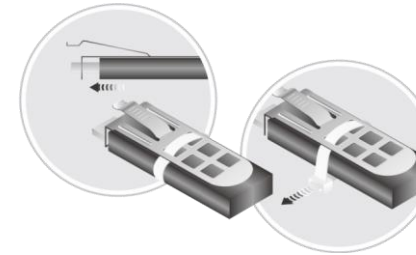
Secure the operator panel in position, using all the fastening holes and the provided brackets and screws. Screw Torque: 0.29 ~ 0.44 N.m (For reaching waterproof effect and preventing the panel from being deformed.)



USB Stick Clamp Usage

Combining the USB Stick with the clamp and the tying strap can prevent USB stick from disconnecting with HMI when strong vibration is present.

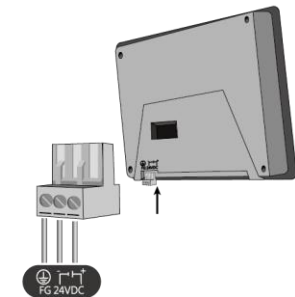
1. Insert the USB connector to the clamp and tie them together with the tying strap.
2. Press the spring and insert the USB stick into HMI.



4 Power Connections

NOTE:

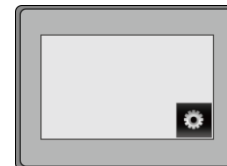
1. Connect positive DC line to the '+' terminal and the DC ground to the '-' terminal.
2. When using a USB cable to download project file, please do not connect HMI with PLC and PC simultaneously to prevent potential difference from destroying USB ports of HMI and PC.



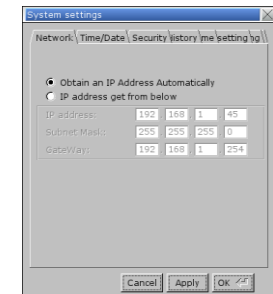
5 System Settings

When HMI is powered up and displays image, click the system setting button.

(Default System Password: 111111)
It is necessary to connect the HMI to your network through a RJ-45 cable.



Go to the Network tab, you may choose to auto get DHCP IP, or designate your own IP.

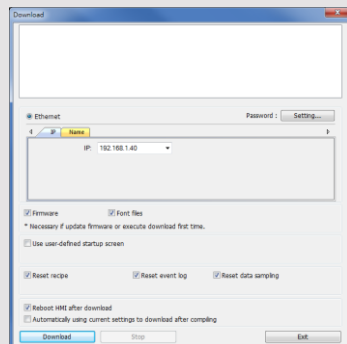


6 Crouzet Touch Soft Settings

Launch Crouzet Touch Soft software, select your project file, press F7 shortcut key to open the download dialog box:

Select Ethernet > IP tab > Enter your HMI IP > Click Download to download this project file to HMI.

(Please refer to Crouzet Touch Soft User Manual for software operation details)



7 Communication Connections

COM1 [RS232] 9 Pin, Male, D-sub

1 2 3 4 5
6 7 8 9

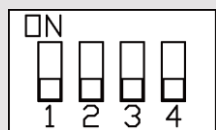
PIN#	COM1 [RS232]
1	
2	RxD
3	TxD
4	
5	GND
6	
7	RTS
8	CTS
9	

COM2 / COM3 [RS485] 9 Pin, Female, D-sub

5 4 3 2 1
9 8 7 6

PIN#	COM2 [RS485]2w	COM2 [RS485]4w	COM3 [RS485]
1	Data-	Rx-	
2	Data+	Rx+	
3		Tx-	
4		Tx+	
5	GND		
6			Data-
7			
8			
9			Data+

8 DIP SW Settings



SW1	SW2	SW3	SW4	Mode
ON	OFF	OFF	OFF	Touch Screen Calibration Mode
OFF	ON	OFF	OFF	Hide HMI System Setting Bar
OFF	OFF	ON	OFF	Boot Loader Mode
OFF	OFF	OFF	ON	Not supported
OFF	OFF	OFF	OFF	Normal

Another way to enter touch screen calibration mode: Press and hold anywhere on the screen for more than 2 seconds when HMI starts.

CAUTION

NOTE: Make sure that all local and national electrical standards are met when installing the unit. Contact your local authorities to determine which codes apply.

Power The unit can be powered by DC power only, voltage range: 24±20% Volts DC, compatible with most controller DC systems. The power conditioning circuitry inside the unit is accomplished by a switching power supply. The peak starting current can be as high as 2A.

Fusing Requirements If the display does not come on within 5 seconds of power up, remove power. An internal fuse will prevent damage if the polarity of the DC power is incorrect. Check wiring for proper connections and try to power up again.

High Voltage An Internal fuse will prevent damage for overcurrent condition however it isn't guaranteed. DC voltage sources should provide proper isolation from main AC power and similar hazards.

Emergency Stop A Hard-wired EMERGENCY STOP should be fitted in any system using HMI to comply with ICS Safety Recommendations.

Supply Voltage Condition Do not power the unit and inductive DC loads, or input circuitry to the controller, with the same power supply. Note: The 24 VDC output from some controllers may not have enough current to power the unit.

Wire Routing

- Power wire length should be minimized (Max: 500m shielded, 300m unshielded).
- Please use twisted pair cables for power wire and signal wire and conform to the impedance matching.
- If wiring is to be exposed to lightning or surges, use appropriate surge suppression devices.
- Keep AC, high energy, and rapidly switching DC power wiring separated from signal wires.
- Add a resistor and capacitor in the parallel connection between the ungrounded DC power supply and the frame ground. This provides a path for static and high frequency dissipation. Typical values to use are 1M Ohm and 4700pF.

DANGER

Hardware Considerations The system designer should be aware that devices in Controller systems could fail and thereby create an unsafe condition. Furthermore, electrical interference in an operator interface can lead to equipment start-up, which could result in property damage and/or physical injury to the operator. If you use any programmable control systems that require an operator, be aware that this potential safety hazard exists and take appropriate precautions. Although the specific design steps depend on your particular application, the following precautions generally apply to installation of solid-state programmable control devices, and conform to the guidelines for installation of Controllers recommended in NEMA ICS 3-304 Control Standards.

Programming Considerations To conform with ICS Safety Recommendations, checks should be placed in the controller to ensure that all writable registers that control critical parts of plant or machinery have limit checks built into the program, with an out-of-limit safe shut down procedure to ensure safety of personnel.

Disposal Considerations This product is an electronic device (EEE) and as such, must be sent to approved authorized treatment facility (*) after service life for proper disposal.



This product includes a lithium battery. Do not open it by force; do not throw it in fire. In compliance with Directive 2006/66/UE requirements, we inform you that batteries must not be discarded in household waste, and must also be sent to approved authorized treatment facility (*) after service life for proper disposal.

(*) visit <http://www.crouzet-automation.fr/assistance/valorisation-des-dechets/>

GMECT17E0_CTP107-E_Installation_161006

Limited Warranty

This product is limited warranted against defects in design and manufacture. The proven defective product will either be repaired or replaced, at Crouzet's discretion. This warranty shall not cover any product which is

- Out of warranty period which is 12 months from the manufacturing month of the HMI products.
- Damage caused by Force Majeure, accident, negligence, improper installation or misuse.
- Product has been repaired or taken apart by unauthorized technicians.
- Products whose identification markings have been removed or damaged.