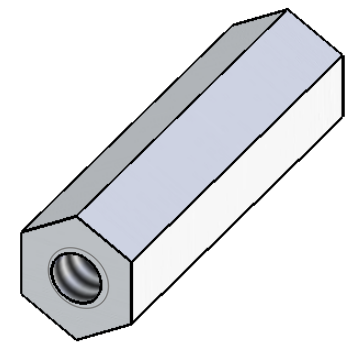


A		B			C									D					
PART REF.	D1 = D2	H	L																
HTSB-M2-L-4-1	M2	4	5	8	10	12	15	18	20	25	30	35	40						
HTSB-M2.5-L-5-1	M2.5	5	5	8	10	12	15	18	20	25	30	35	40						
	P1 = P2	THROUGH											8						
	P3	THROUGH											13						

REV.	MODIFICATION.	DATE	DRN
D	SCN04-073	29/07/04	OW
E	ECN05-013	13/01/05	NJB
01	ECN06-009	09/01/06	OW
02	ECN07-036	09/02/07	SF
03	ECN07-223	06/12/07	NJB

NOTES:
1) ALL DIMENSIONS IN mm.



STYLE 1 (FEMALE - FEMALE)

A		B			C														D			
PART REF.	D1 = D2	H	L																			
HTSB-M3-L-5-1	M3	5	5	8	10	12	15	18	20	25	30	35	40	45	50	55	60	70	80			
HTSB-M3-L-5.5-1	M3	5.5	5	8	10	12	15	18	20	25	30	35	40	45	50	55	60	70	80			
HTSB-M4-L-7-1	M4	7		8	10	12	15	18	20	25	30	35	40	45	50	55	60	70	80			
HTSB-M5-L-8-1	M5	8			10	12	15	18	20	25	30	35	40	45	50	55	60	70	80			
	P1 = P2	THROUGH											10.0 MIN									
	P3	THROUGH											15									

INFORMATION CONTAINED IN THIS DOCUMENT IS CONFIDENTIAL TO RICHCO INTERNATIONAL Co. Ltd. AND MAY NOT BE DISCLOSED OR REPRODUCED IN WHOLE OR PART WITHOUT THEIR WRITTEN CONSENT



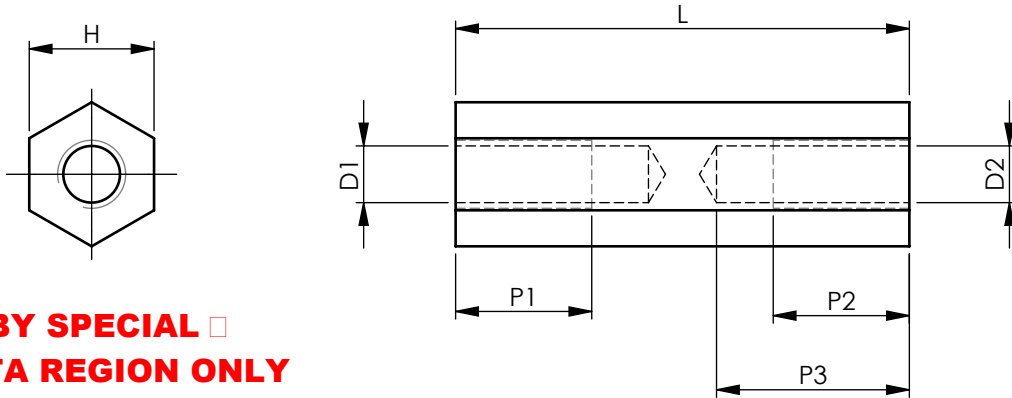
GENERAL TOLERANCES ±0.25
UNLESS OTHERWISE STATED
1 DECIMAL PLACE ±
2 DECIMAL PLACES ±
ANGULAR ±1°

MATERIAL: BODY - BRASS CuZn38Pb2 (RMS-276)
PLATING - NICKEL Ni3bk (RMS-234)

TITLE: HEXAGONAL THREADED SPACER BRASS (NICKEL PLATED) PART No: HTSB-MD-L-H-1

DRG No: 04-083 NPR REF: XXXX-XXX SIZE A4

DRN	DATE	CHKD	DATE	SCALE	SHEET No
OW	29/07/04	NJB	29/07/04	NTS	1 OF 1



AVAILABLE BY SPECIAL ORDER-NAFTA REGION ONLY