

# .050" (1,27mm) CABLE PLUG FFMD SERIES

Mates with:  
FLE, SFMC

## SPECIFICATIONS

For complete specifications see [www.samtec.com?FFMD](http://www.samtec.com?FFMD)

**Insulator Material:**

Black Glass Filled Polyester

**Terminal:**

BeCu

**Plating:**

Sn over 50µ" (1,27µm) Ni

**Wire:**

30 AWG

**Current Rating:**

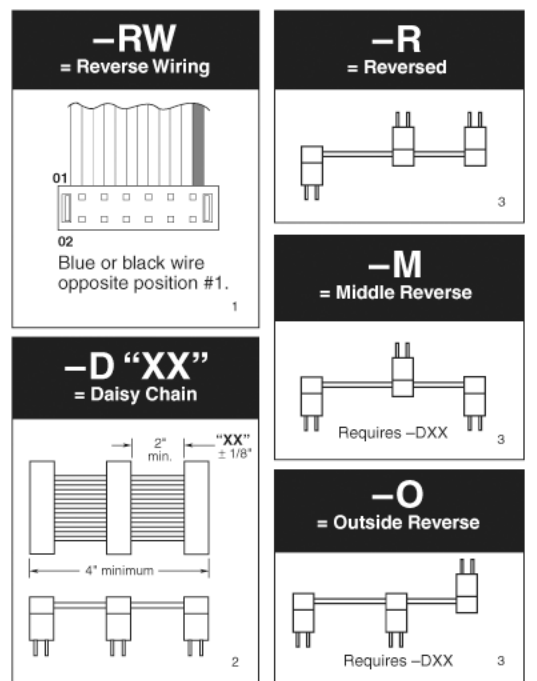
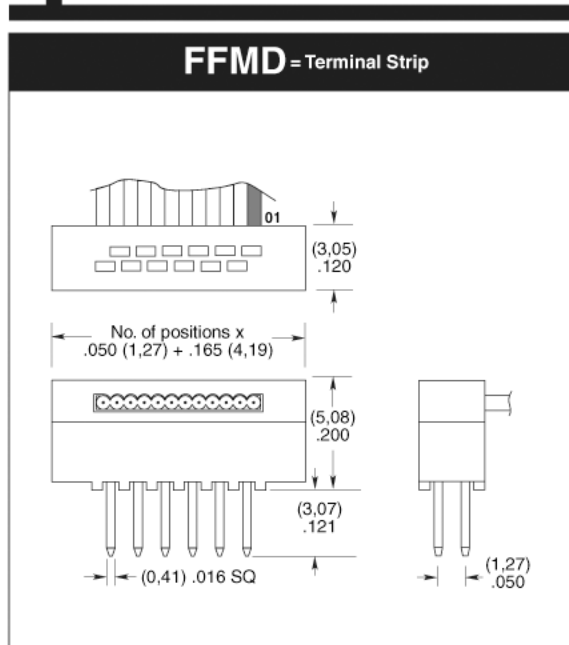
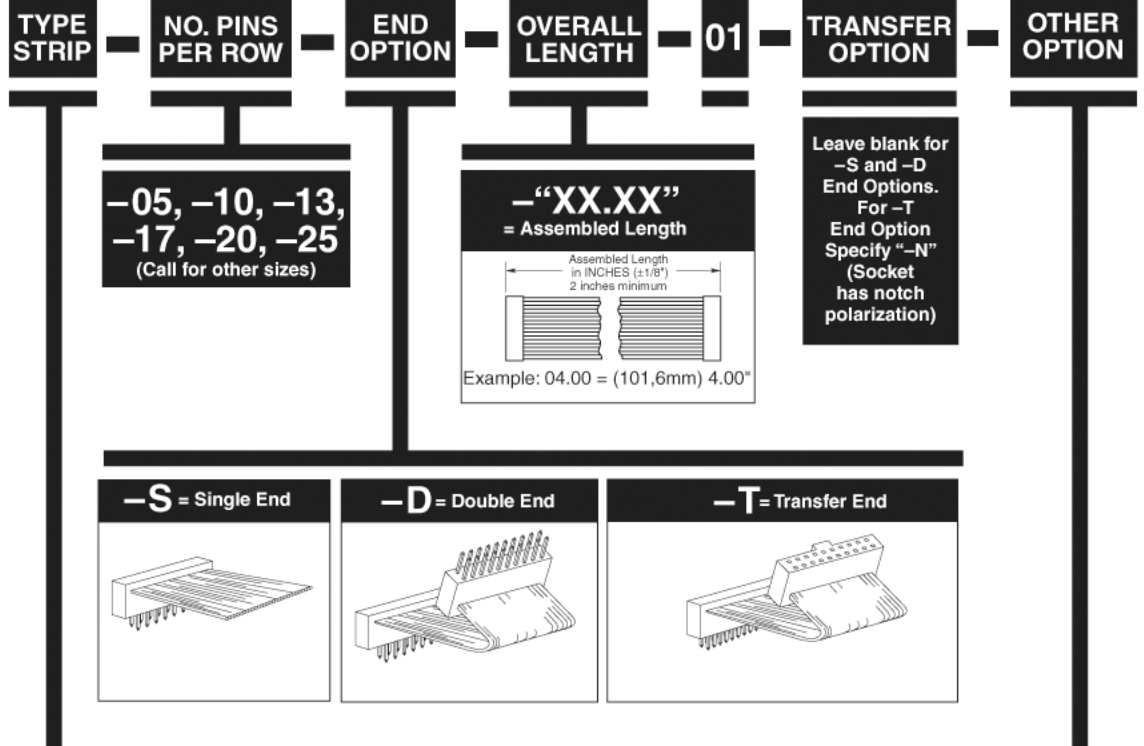
0.5A

**Operating Temp Range:**

-40°C to +105°C

**RoHS Compliant:**

Yes



**Note:** This Series is non-standard, non-returnable.

*Due to technical progress, all designs, specifications and components are subject to change without notice.*

[WWW.SAMTEC.COM](http://WWW.SAMTEC.COM)