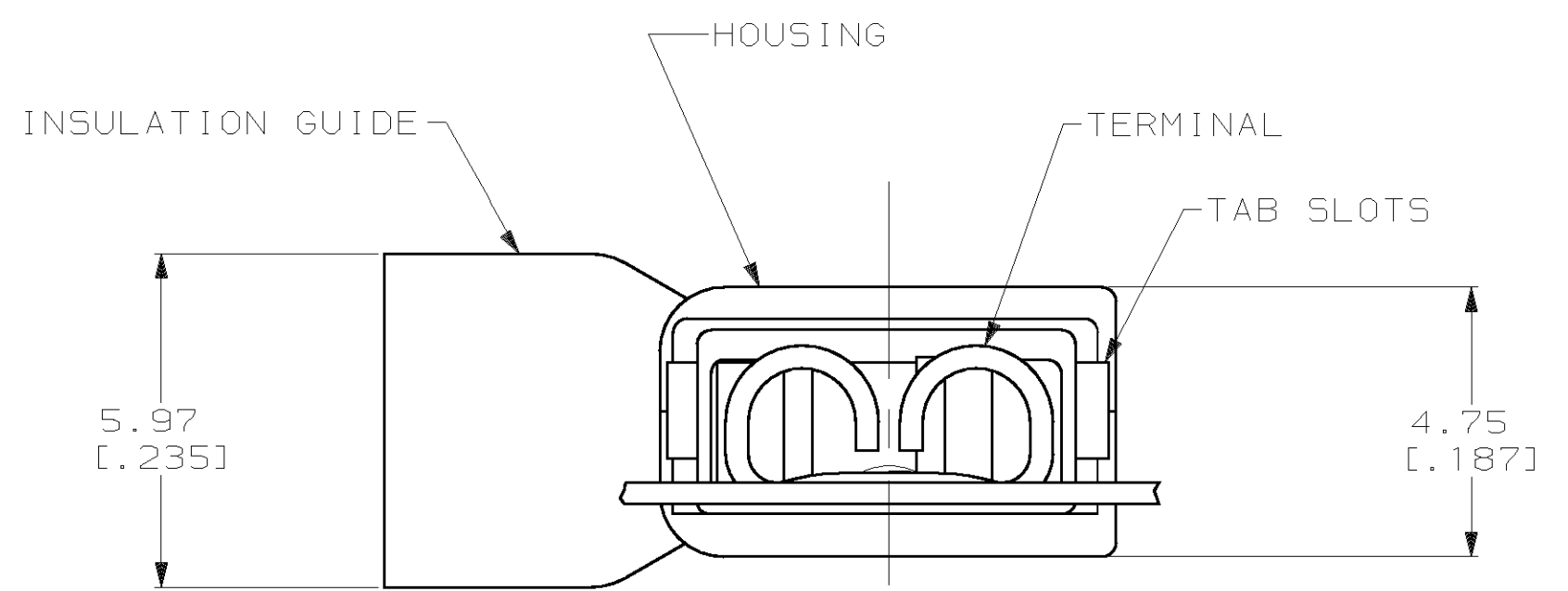
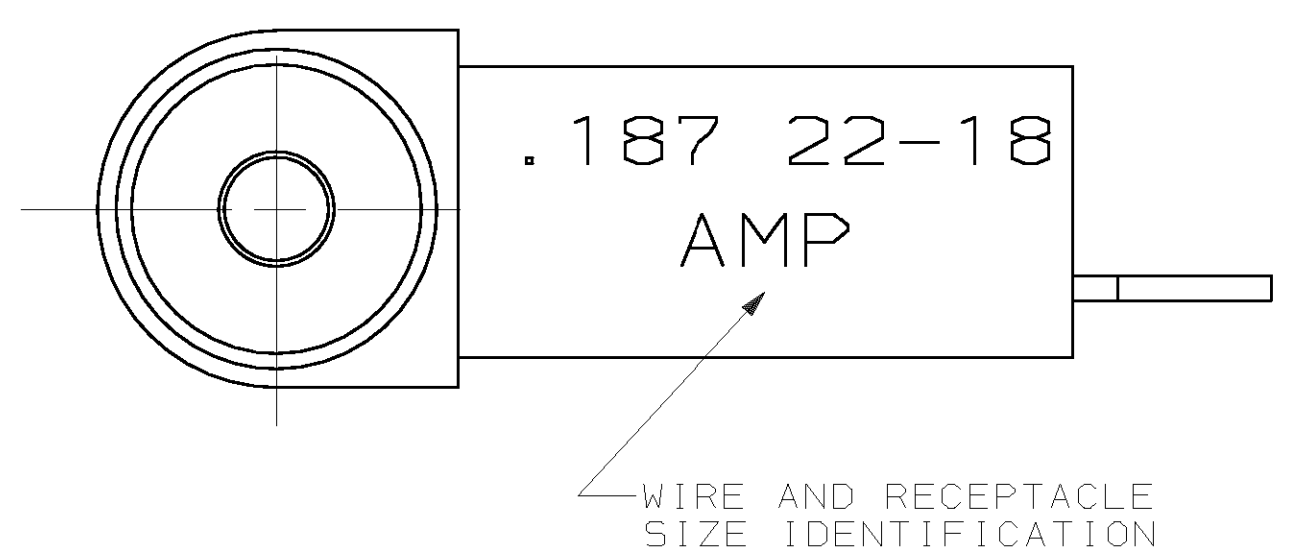
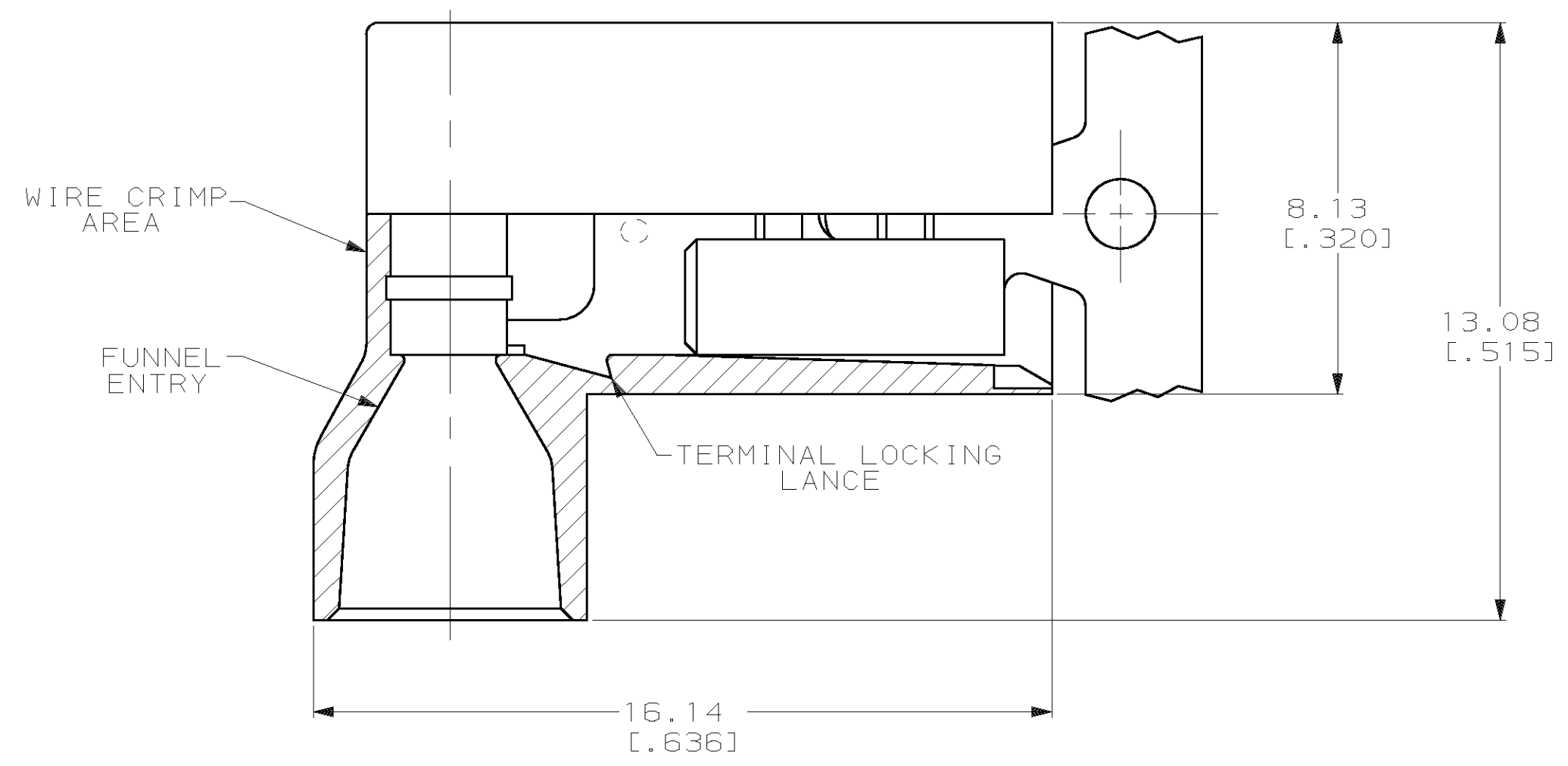


THIS DRAWING IS UNPUBLISHED. RELEASED FOR PUBLICATION
 © COPYRIGHT 19 BY AMP INCORPORATED. ALL INTERNATIONAL RIGHTS RESERVED.

LOC		DIST		ZONE		LTR		REVISIONS		DATE	APPD
AF	50	P	F			L		REV PER 0G3A-0081-99	9AUG99	JR/JH	

- 1 FITS 0.51±0.025 X 4.75 [.020±.001 X .187] TAB
- 2 WIRE SIZE: 0.3-0.9mm² [22-18 AWG], STRANDED ONLY.
STRIP LENGTH 7.14 [.281]
- 3 INSULATION SIZE: 4.19 [.165] MAX DIA.
- 4 CONTINUOUS STRIP.



BULK		RED TRANSLUCENT			5-520334-2
STANDARD	TYPE 6/6 NYLON	BLACK	0.41 [.016] #4H BRASS	0.002032 [.000080] MIN TIN PL	9-520334-2
		RED TRANSLUCENT			2-520334-2
PACKAGING	MATERIAL	COLOR	MATERIAL	FINISH	PART NO
DO NOT SCALE PRINT. UNLESS SPECIFIED DIMENSIONS IN mm [INCHES] TOLERANCES ON:		DR 8/6/90 P FORTNEY		AMP Incorporated Harrisburg, PA 17105-3608	
2 PLC DEC ± 0.38 [.015]		CHK 8/8/90 MS FEHER			
3 PLC DEC ± -		APPD 8/9/90 D BRATINA		NAME	
ANGLES ± -		APPD 8/9/90 R KUZO		RECEPTACLE ASSEMBLY, ULTRA-FAST FLAG, 4.75 [.187] SERIES	
MATERIAL		PRODUCT SPEC		SIZE	
SEE TABLE		108-2043		CAGE CODE	
FINISH		APPLICATION SPEC		DRAWING NO	
SEE TABLE		114-2123		520334	
		WEIGHT -		SCALE	
				8:1	
				SHEET	
				1 OF 1	

