

Mod. G7560 - Fittings Series 7000 - Automation

Product code: G7560 10-8

Datasheet creation date: 12/12/2025 08:31

Check the most updated document online [click here](#)

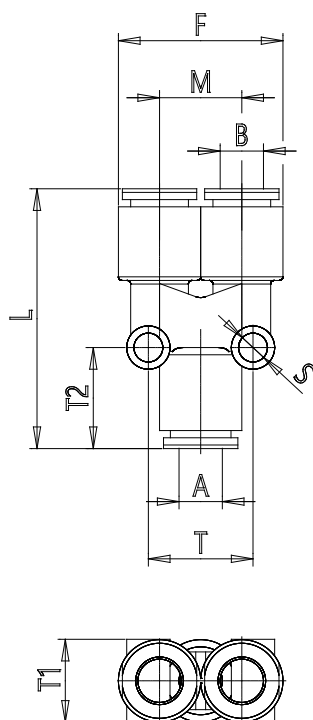


■ TECHNICAL DATA

| | |
|------|------------|
| Mod. | G7560 10-8 |
|------|------------|

Mod. G7560 - Fittings Series 7000 - Automation

Product code: G7560 10-8



DIMENSIONS

| | |
|-------------------|------|
| A (mm) | 10 |
| B (mm) | 8 |
| F (mm) | 26.0 |
| L (mm) | 42.0 |
| M (mm) | 12.7 |
| S (mm) | 4 |
| T (mm) | 16.3 |
| T1 (mm) | 16.3 |
| T2 (mm) | 17.5 |
| Weight (g) | 19.5 |