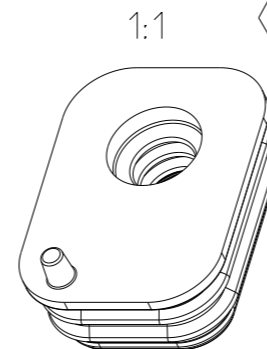
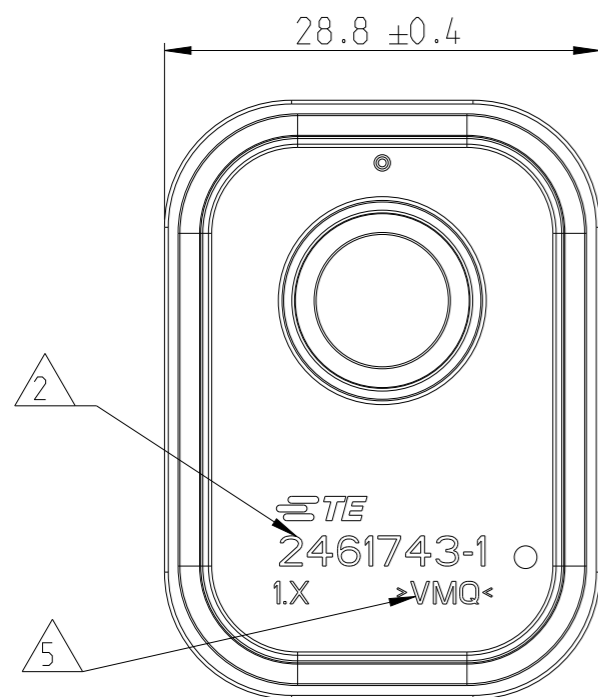
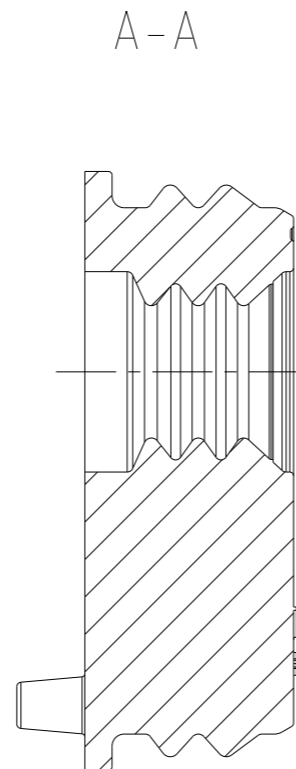
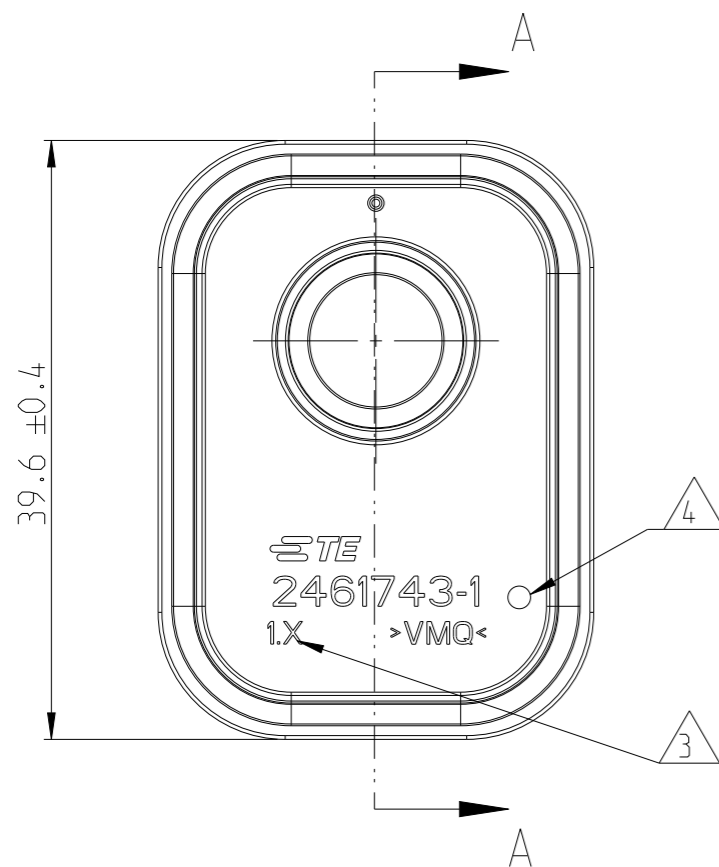


P	LTR	DESCRIPTION	DATE	DWN	APVD
	A	NEW DRAWING	14DEC2023	MF	PW
	A1	ECN-25-343823: NEW VARIANTS	15AUG2025	US	PW

NOTES:
Bemerkungen:

- 1 MATERIAL USED LIQUID SILICON RUBBER.
- 2 TE PART NUMBER
TE-Teilenummer
- 3 TOOL INDEX MARKING
Werkzeugindex
- 4 TOOL REVISION: REVISION A WITHOUT MARKING, REV. B = ONE DOT, REV. C = TWO DOTS
Werkzeugrevision: Revision A ohne Markierung, Rev. B = 1 Punkt, Rev. C = 2 Punkte
- 5 MATERIAL MARKING ACC TO VDA 260
Materialkennzeichnung nach VDA 260
- 6 SUITABLE FOR CABLE SIZES 35mm², 50mm², 70mm² & 95mm²
Passend zu Kabelgrößen 35mm², 50mm², 70mm² & 95mm².
- 7 PACKAGING: BULK PACKAGING IN PLASTIC BAG AND CORRUGATED SHIPPING BOX
Verpackung: Schüttgut in Beutel und Versandkarton



A1	TE PART NO.	REV.	DESCRIPTION	VOLUME [cm ³]	WEIGHT [g]	COLOUR
A1	2461743-9	A	SW S.PCON21.35mm ² Einzeladerdichtung,35mm ²	10.84	10.5	GREEN Grün SIMILAR TO RAL 6010
A1	2461743-8	A	SW S.PCON21.50mm ² Einzeladerdichtung,50mm ²	10.84	10.5	YELLOW Gelb SIMILAR TO RAL 1016
A1	2461743-7	A	SW S.PCON21.70mm ² Einzeladerdichtung,70mm ²	10.84	10.5	WHITE Weiß SIMILAR TO RAL 9010
A1	2461743-6	A	SW S.PCON21.95mm ² Einzeladerdichtung,95mm ²	10.84	10.5	VIOLET Violett SIMILAR TO RAL 4003
	2461743-3	A	SW S.PCON21.95mm ² Einzeladerdichtung,95mm ²	9.54	10.5	SQUIRREL GREY/ Fehgrau SIMILAR TO RAL 7000
	2461743-2	A	SW S.PCON21.70mm ² Einzeladerdichtung,70mm ²	10.25	11.3	LIGHT BLUE/ Lichtblau SIMILAR TO RAL 5012
	2461743-1	A	SW S.PCON21.50mm ² Einzeladerdichtung,50mm ²	10.84	11.9	GRAPHITE BLACK/ Graphit Schwarz SIMILAR TO RAL 9011

AS SHOWN 2461743-1

DIMENSION AND TOLERANCES ACCORDING TO:
Bemaßungen und Toleranzen gemäß:
DIN ISO 3302-1 M1
TE-SPEC.: 115-1228-2 (A2), Rev. A
DIN EN ISO 8015
DIN EN ISO 14405-1/-2/-3

THIS DRAWING IS A CONTROLLED DOCUMENT.	
DIMENSIONS: mm	TOLERANCES UNLESS OTHERWISE SPECIFIED:
	0 PLC ±0.5
	1 PLC ±0.13
	2 PLC ±0.13
	3 PLC ±0.013
	4 PLC ±0.0001
	ANGLES ±
MATERIAL	FINISH
-	-
-	-

DWN	14DEC2023	TE Connectivity	
CHK	M. Floesser		
CHK	P. Wrobel		
APVD	15DEC2023		
APVD	F. Eltrop	NAME	
PRODUCT SPEC	108-94935	SINGLE WIRE SEAL, PCON21 Einzeladerdichtung PCON21	
APPLICATION SPEC	114-97587	SIZE	RESTRICTED TO
WEIGHT	-	A3	-
CUSTOMER DRAWING		CAGE CODE	SCALE
		00779	2:1
		DRAWING NO	SHEET
		©=2461743	1 OF 1
		REV	APVD
			A1