

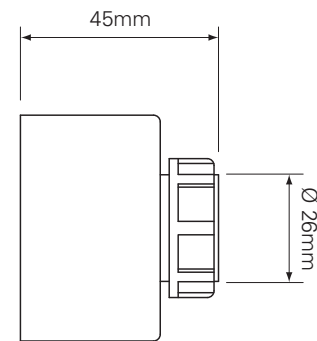
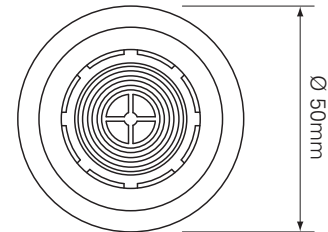
# Askari Panel - Process Sounder

A compact sounder, designed to fit through the fascias of control panels or equipment housings. The single nut fixing ensures simple installation and maximum audibility, while the high IP rating allows installation in most process and industrial environments.



## Technical Specification

Voltage	9-28Vdc, 24Vac
Current	18mA (Typical Tone 3)
Sound Output	92dB(A)
Tones	32
Alarm Stages	2
Temperature	- 25°C to + 70°C
Protection	IP65
Construction	ABS
Weight	0.9Kg
Colour	Red or white



### Features

- Small size
- Dedicated panel fixing
- 9Vdc to 28Vdc
- IP65 protection

### Benefits

- Easily accommodated
- Easy to fit into control equipment enclosures
- Accepts most common DC supplies
- Can be used in internal and external equipment

### Reference

AP/W/S/VC

### Catalogue No.

560002FULL-0072

### Description

Askari Panel Mounting Sounder, White, Tone Select Switch, Volume Control

AP/R/S VC

560013FULL-0021

Askari Panel Mounting Sounder, Red, Tone Select Switch, Volume Control

AP/SV/W/S/VC/24VAC

562002FULL-0076

Askari Panel, 24V, White Base, Switch, Volume Control