

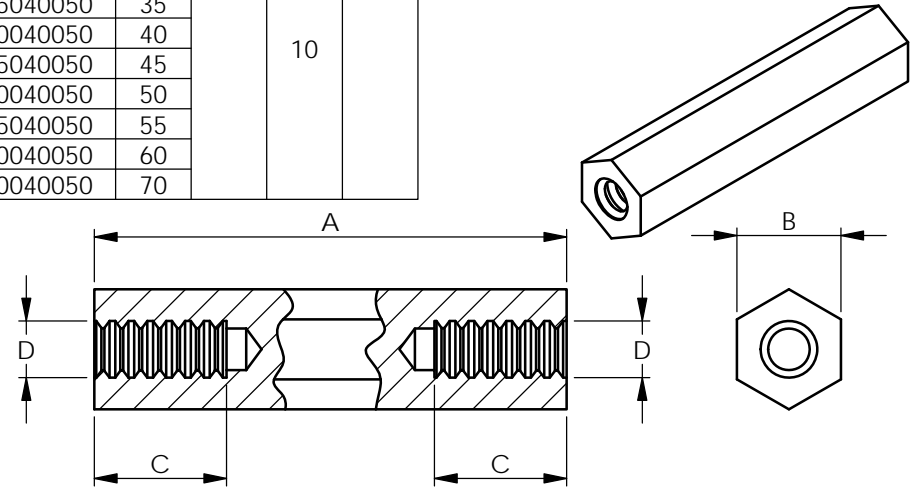
PART No	A	B	C	D
301105040050	5	4	2.5	M2
301108040050	8		4	
301110040050	10		5	
301112040050	12		6	
301115040050	15			
301118040050	18			
301120040050	20			
301125040050	25			
301130040050	30			

PART No	A	B	C	D
301205040050	5	5	2.5	M2.5
301206040050	6		3	
301208040050	8		4	
301210040050	10		5	
301211040050	11		5.5	
301212040050	12		6	
301213040050	13		6.5	
301215040050	15		7.5	
301218040050	18		8	
301220040050	20			
301225040050	25			
301230040050	30			
301235040050	35			
301240040050	40			

PART No	A	B	C	D
301305040050	5	5	2.5	M3
301305140050	5.5			
301306040050	6			
301307040050	7	5	3.5	
301308040050	8	5.5	4	
301308140050	8			
301309040050	9	5	4.5	
301310040050	10	5.5	5	
301310140050	10			
301311040050	11	5	5.5	
301312040050	12	5.5	6	
301312140050	12			
301313040050	13	5	6.5	
301314040050	14			
301315040050	15	5.5	7.5	
301316040050	16	5	8	
301316140050	16			
301317040050	17	5	8.5	
301318040050	18	5.5	9	
301318140050	18			
301319040050	19	5		
301320040050	20	5.5		
301320140050	20			
301325040050	25	5		
301325140050	25	5.5		
301330040050	30	5		
301330140050	30	5.5		
301335040050	35	5		
301335140050	35	5.5		
301340040050	40	5		
301340140050	40	5.5		
301345040050	45	5		
301345140050	45	5.5		
301350040050	50	5		
301350140050	50	5.5		
301355040050	55	5		
301360040050	60			
301360140050	60			

PART No	A	B	C	D
301405040050	5	7	2.5	M4
301408040050	8		4	
301410040050	10		5	
301411040050	11		5.5	
301412040050	12		6	
301413040050	13		6.5	
301414040050	14		7	
301415040050	15		7.5	
301416040050	16		8	
301417040050	17		8.5	
301418040050	18	10	9	
301420040050	20			
301425040050	25			
301430040050	30			
301435040050	35			
301440040050	40			
301445040050	45			
301450040050	50			
301455040050	55			
301460040050	60			
301470040050	70			

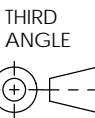
PART No	A	B	C	D
301510040050	10	8	5	M5
301512040050	12		6	
301515040050	15		7.5	
301518040050	18		9	
301520040050	20		10	
301525040050	25			
301530040050	30			
301535040050	35			
301540040050	40			
301545040050	45			
301550040050	50			
301555040050	55			
301560040050	60			
301570040050	70			



INFORMATION CONTAINED IN THIS DOCUMENT IS CONFIDENTIAL TO RICHCO INTERNATIONAL Co. Ltd. AND MAY NOT BE DISCLOSED OR REPRODUCED IN WHOLE OR PART WITHOUT THEIR WRITTEN CONSENT.

RICHCO, INC.
WWW.RICHCO-INC.COM

ALL DIMENSIONS IN mm
GENERAL TOLERANCES ± 0.25
UNLESS OTHERWISE STATED
1 DECIMAL PLACE \pm
2 DECIMAL PLACES \pm
ANGULAR $\pm 1^\circ$



MATERIAL: BRASS (RMS-260)
NICKEL PLATING (RMS-234)

COLOUR:
NATURAL

DESCRIPTION:
HEXAGONAL BRASS THREADED SPACER

PART No:
See Table

DRG No:
012-061

NPR No:
EU12-0049

SHEET SIZE
A4

DRN
SF

DATE
24/04/12

CHKD
TC

DATE
24/04/12

SCALE
NTS

SHEET No.
1 OF 1

REV	MODIFICATION	DATE	DRN
02 01	CO2011264 PRODUCTION RELEASE	29/05/12 24/04/12	TC SF