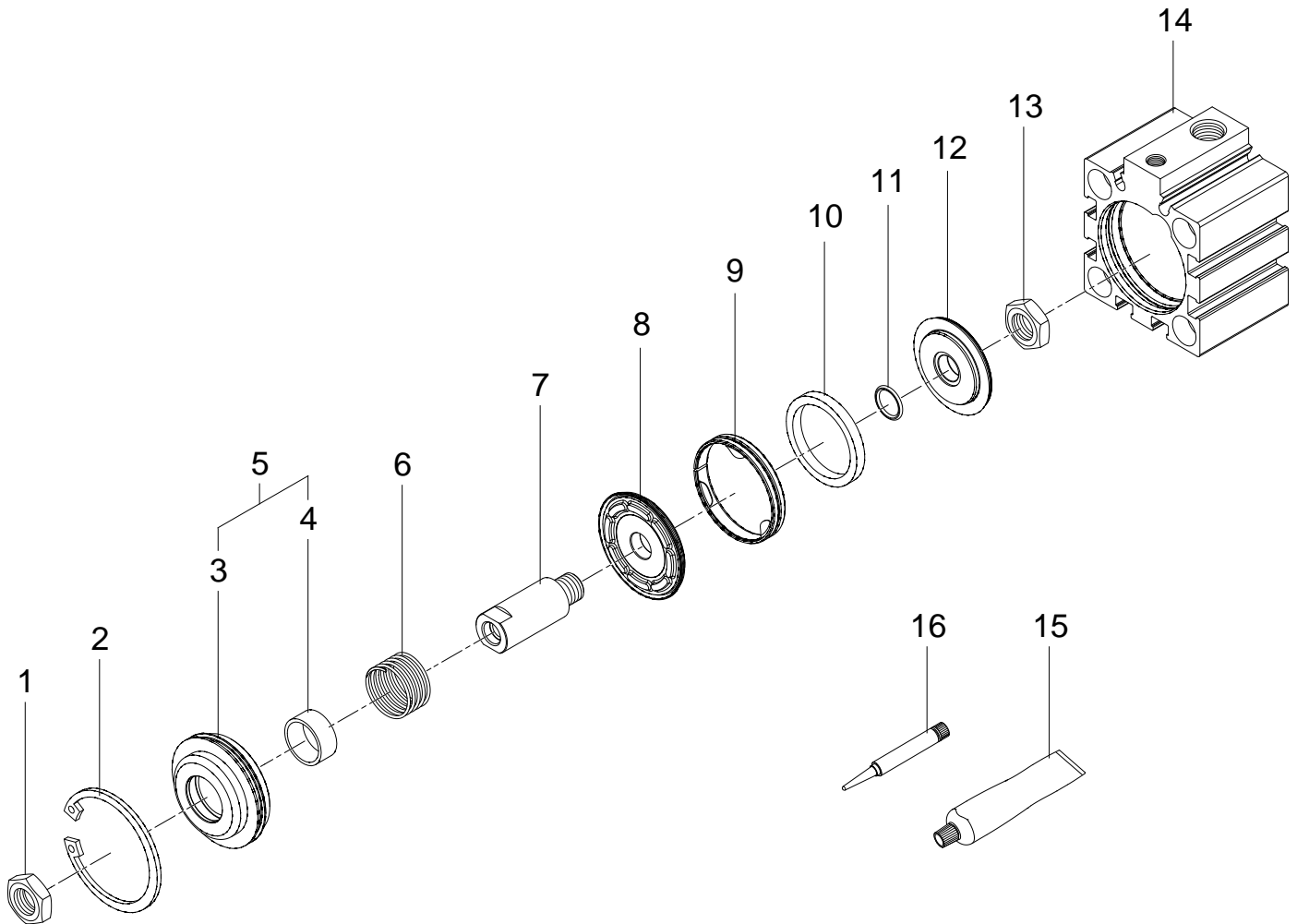


188324 AEVC-100-10-I-P-A Short-stroke cylinder - Series: All



188324 AEVC-100-10-I-P-A Short-stroke cylinder - Series: All

Pos.	Part no.	Type	Note	Qty.	Unit
A	715538	AEVC-100-A-P-A Set of wearing parts	Spare parts: 8, 9, 11, 12, 15, 16	1	PC
1	200198	DIN 439-B-M20X1,5-04 Hex nut		1	PC
2	388867	DIN 472-100X3 Retaining ring		1	PC
3		AEVC-100- -P-A Bearing cap	Not available separately, see position 5	1	PC
4		GLWSM-2528-15 Plain bearing	Not available separately, see position 5	1	PC
5	390370	AEVC-100 Bearing cap module		1	PC
6	390437	AEVC-100 Compression spring		1	PC
7	683207	IRA-25-S0043,35 Piston rod		1	PC
8		BA-K01E-100-WRB Piston module	Not available separately, see position A Grease using during assembly. See position 15	1	PC
9		BA-K01F-100 Guiding band	Not available separately, see position A Grease using during assembly. See position 15	1	PC
10	672354	96,9X75X4,9BA-K01M-100LP Ring magnet		1	PC
11		B-14X1,5-N-NBR75 O-ring ISO3601	Not available separately, see position A Grease using during assembly. See position 15	1	PC
12		BA-K01D-100-01-CFW Sealing piston	Not available separately, see position A Grease using during assembly. See position 15	1	PC
13	204153	DIN 439-B-M14X1,5-04 Hex nut	Use locking compound. See position 16 Tightening torque 82 Nm / 60.5 lbf ft	1	PC
14		AEVC/ADVC-100- 10- -P-A Housing	Not available	1	PC
15	684474	LUB-KC1 SILIKONFREI 20ML Lubricating grease		1	PC
16	8181256	CYBERBOND TM44 TB1ML Adhesive bonding agent		1	PC