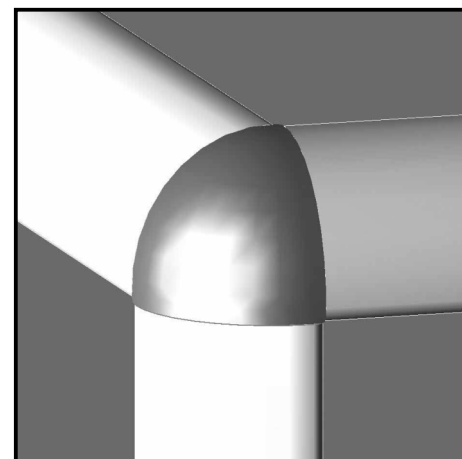
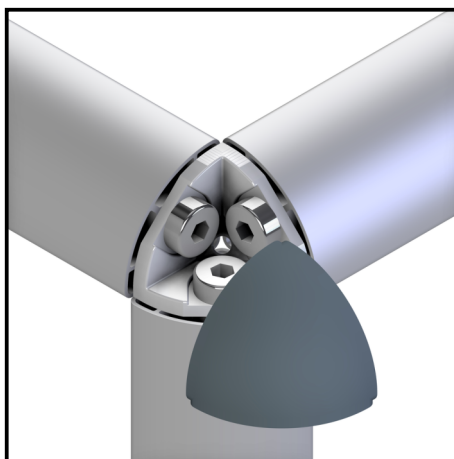
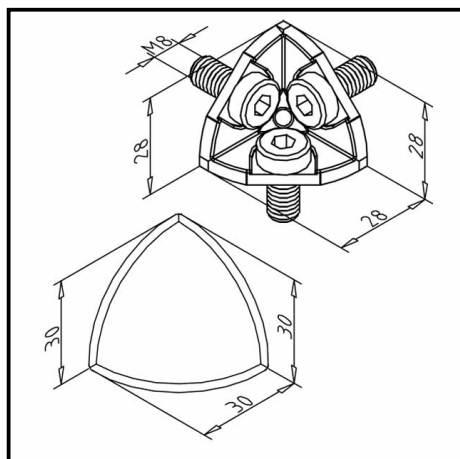


MOUNTING ANGLE 30 R 90°

Article Nr. 21.2109/0

See the product on the website →

Download CAD Files →



TECHN. DATA / ITEMS SUPPLIED

- Aluminium, Pressure die-casting, bright
- With fastening material steel, zinc plated
- End cap MW 30 R 90° **part no. [22.1143/1](#)**
- Weight = 0.043 kg/piece

APPLICATIONS

- Corner fastening of profiles 30 R 90°
- Constructions for show cases, tables etc.

ASSEMBLY

- In the central bore of the profile with supplied hardware
- Clip the end cap