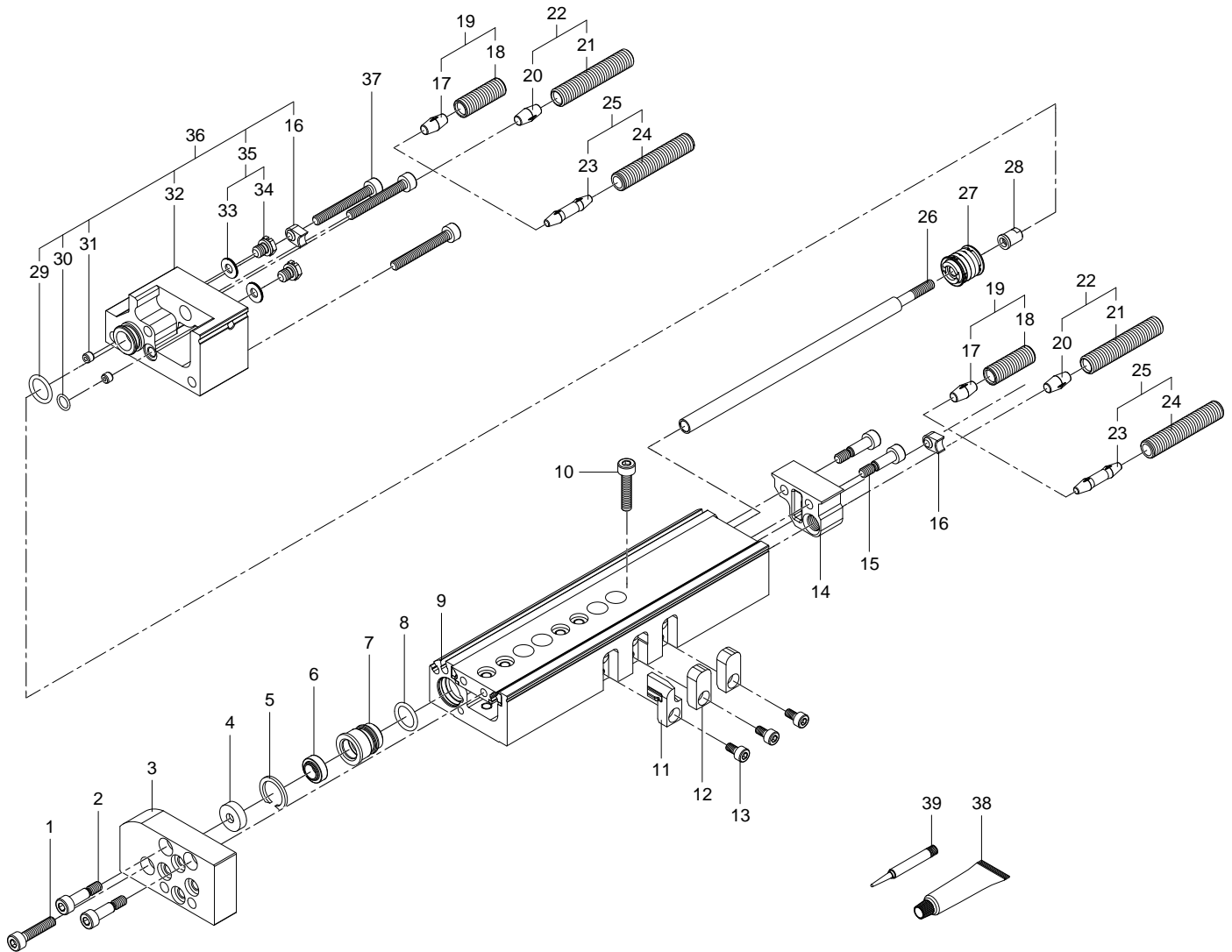


543926 DGSL-8-10-PA Mini slide - Series till 05-2022

DGSL-8-10-PA/P1A/EA



## 543926 DGSL-8-10-PA Mini slide - Series till 05-2022

DGSL-8-10-PA/P1A/EA

Pos.	Part no.	Type	Note	Qty.	Unit
A	713745	DGSL-8-...- Set of wearing parts	Spare parts: 5, 6, 8, 10, 17, 20, 23, 27, 28, 29, 30, 33, 38, 39	1	PC
1	688322	ISO 4762-M2,5X14-10.9 Socket head screw	Tightening torque 0.76 Nm / 0.6 lbf ft Use locking compound. See position 39	1	PC
2	696367	DGSL-8 Shaft screw	Tightening torque 1.4 Nm / 1.0 lbf ft	2	PC
3	686776	DGSL-8 Yoke plate	No longer available. Please order from product series P5 the components with position nos. 9. Warning! Disassembly requires recalibration.	1	PC
4	686791	DGSL-6 Sleeve	Glue with Loctite 401, adhesion surface area must free of oil and grease Warning! Disassembly requires recalibration.	1	PC
5	210776	SB-12 Circlip		1	PC
6		WIFC1-4X7X2,8-NBR Wiper seal	Not available separately, see position A Grease using during assembly. See position 38	1	PC
7	8186895	DGSL-8 Bearing cap	Grease using during assembly. See position 38	1	PC
8		B-8X1-N-NBR75 O-ring ISO3601	Not available separately, see position A Grease using during assembly. See position 38	1	PC
9		DGSL-8-10 Guide module	Not available	1	PC
10	205318	ISO 4762-M4X20-8.8 Socket head screw		1	PC
11	686784	DGSL-8 Stop		1	PC
12	686800	DGSL-8 Covering		1	PC
13	207275	ISO 4762-M3X6-8.8 Socket head screw	Tightening torque 1.3 Nm / 1.0 lbf ft	1	PC
14	684371	DGSL-8 Moment compensator	No longer available. Please order from product series P5 the components with position nos. 9.	1	PC
15		ISO 4762-M3X14-10.9 Socket head screw	Not available Tightening torque 1.4 Nm / 1.0 lbf ft	2	PC
16	699253	DGSL-8 Clamping component	Use locking compound. See position 39	2	PC
17	686823	4,7X7,5 Buffer element		2	PC
18		DYEF-S-M6-Y1 adjustment sleeve	Not available separately, see position 19	1	PC
19	1152524	DYEF-S-M6-Y1 Shock absorber	shock absorber -E	2	PC
20	686823	4,7X7,5 Buffer element		2	PC
21		DGSL-8-P adjustment sleeve	Not available separately, see position 22	1	PC
22	1179831	DYEF-M6-Y1 Shock absorber	shock absorber -P	2	PC
23	683972	DYEF-M5-Y1F Buffer		2	PC
24		DGSL-8-P1 adjustment sleeve	Not available separately, see position 25	1	PC
25	548372	DYEF-M6-Y1F Shock absorber	shock absorber -P1	2	PC

Pos.	Part no.	Type	Note	Qty.	Unit
26	688370	IRA-04-S0039,2-B Piston rod	Glue with Loctite 401, adhesion surface area must free of oil and grease Warning! Disassembly requires recalibration.	1	PC
27		BA-K10D-010-A Complete piston	Not available separately, see position A Grease using during assembly. See position 38	1	PC
28	709438	DSNU- 8/10 Nut	Tightening torque 0.35 Nm / 0.3 lbf ft Use locking compound. See position 39	1	PC
29		B-8X1-N-NBR75 O-ring ISO3601	Not available separately, see position A Grease using during assembly. See position 38	1	PC
30		B-4X0,6-N-NBR70 O-ring ISO3601	Not available separately, see position A Grease using during assembly. See position 38	1	PC
31		DGSL-8 Flow control plate	Not available separately, see position 36	2	PC
32		DGSL-8 Connection cap	Not available separately, see position 36	1	PC
33		OK-M3 Sealing ring	Not available separately, see position A	2	PC
34		B-M3-S9 Plug screw	Not available separately, see position 35 Tightening torque 0.5 Nm / 0.4 lbf ft	2	PC
35	712004	B-M3-S9-OK Blanking plug		2	PC
36	714229	DGSL- 8-...-ET Connection cover module		1	PC
37	207726	ISO 4762-M3X20-8.8 Socket head screw	Tightening torque 1.4 Nm / 1.0 lbf ft Use locking compound. See position 39	3	PC
38	684474	LUB-KC1 SILIKONFREI 20ML Lubricating grease		1	PC
39	8181256	CYBERBOND TM44 TB1ML Adhesive bonding agent		1	PC