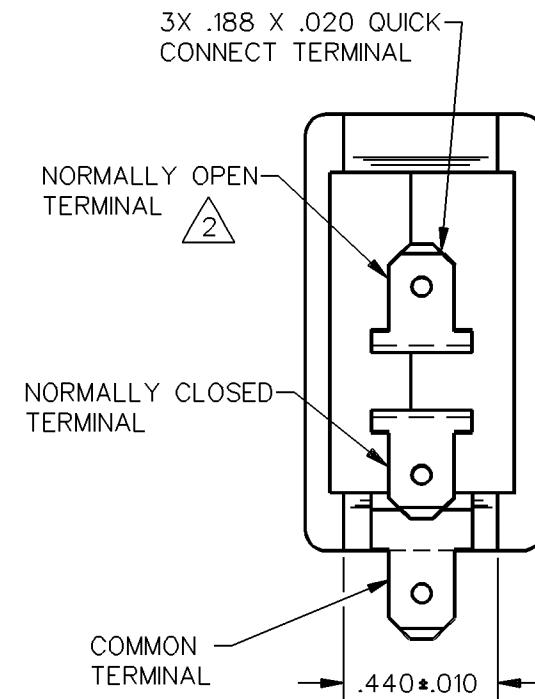
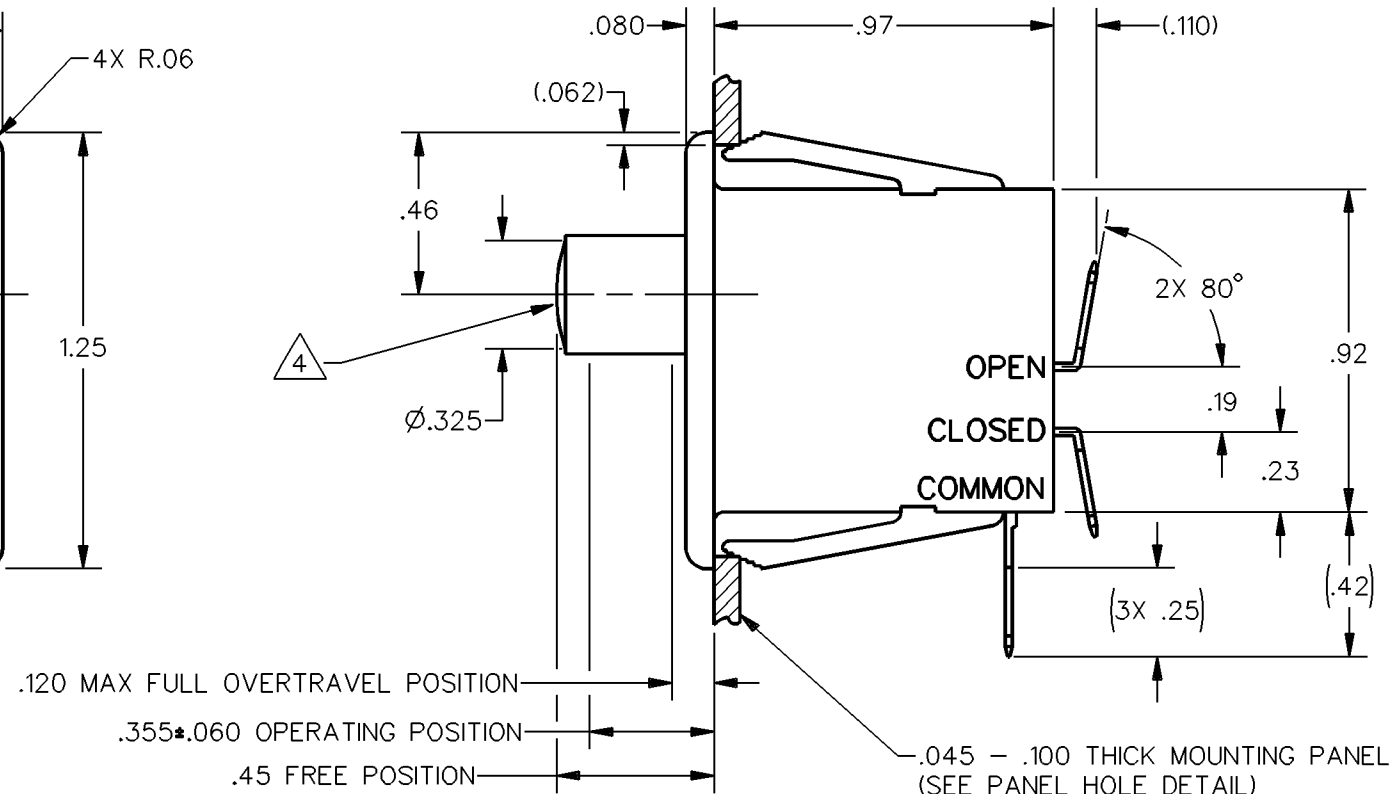
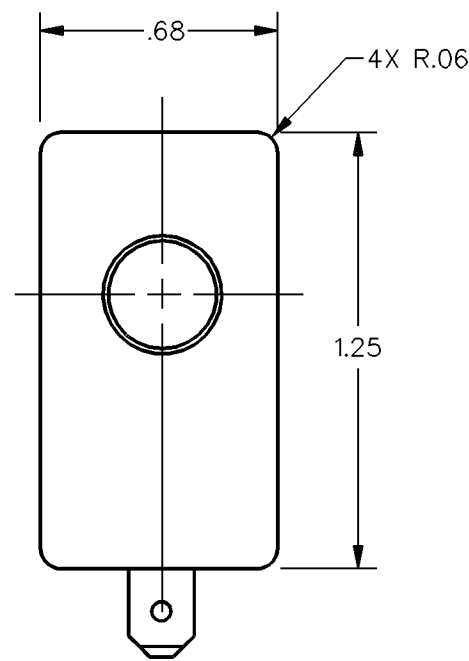
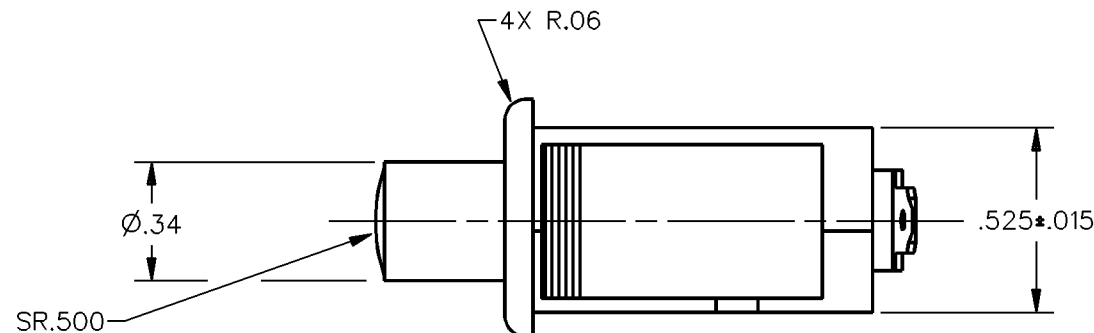
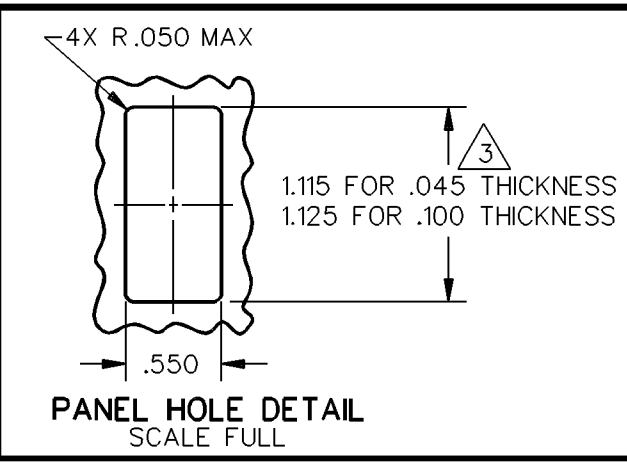


**MICRO SWITCH**  
a Honeywell Division

SWITCH — BASIC

CATALOG LISTING  
**1DM21**

FED. MFG. CODE 91929



CATALOG LISTING  
**1DM21**  
RELEASE NO. SR-11089  
ISSUE **M**  
**6**  
CHECK  
CHECK  
CHECK  
CHECK  
CHECK  
CHECK  
CHECK  
CHECK  
CHECK  
CHECK  
CHECK  
CHECK  
DRAWN  
DHD  
14 JUL 92  
DDM/CAD

REVISIONS  
A CO-72328  
DHD  
14 JUL 92

THIS DRAWING COVERS A PROPRIETARY ITEM AND IS THE PROPERTY OF MICRO SWITCH, A DIVISION OF HONEYWELL. THIS DRAWING IS NOT TO BE COPIED OR USED WITHOUT THE APPROVAL OF MICRO SWITCH

CHARACTERISTICS
OPERATING FORCE - - - - - 15 OZ MAX
RELEASE FORCE - - - - - 3 OZ MIN
DIFFERENTIAL TRAVEL - - .045 APPROX
OVERTRAVEL - - - - - .235 MIN
PLUNGER FORCE AT .375 OVERTRAVEL 21 OZ MAX

ELECTRICAL DATA
CONTACT ARRANGEMENT S P D T
L181
10A 1/2HP 125, 250 OR 277 VAC

THIRD ANGLE PROJECTION
SCALE 2 TO 1
DO NOT SCALE PRINT
<b>UNLESS OTHERWISE SPECIFIED TOLERANCES ARE</b>
ONE PLACE (.0) ±.030
TWO PLACE (.00) ±.015
THREE PLACE (.000) ±.005
ANGLES ± 5°
WEIGHT

- NOTES  
1 - WHITE PLASTIC CASE AND PLUNGER  
2 - FLAG STYLE QUICK CONNECT RECEPTACLE REQUIRED FOR NORMALLY OPEN TERMINAL IF SWITCH IS WIRED BEFORE MOUNTING  
3 - NOMINAL CUTOUT DIMENSION FOR PANELS BETWEEN .045 AND .100 SHOULD BE INTERPOLATED BETWEEN 1.115 AND 1.125  
4 - PUSH TO OPERATE - MOMENTARY

ANSI Y14.5M-1982 APPLIES