

## Simply Silent Contour

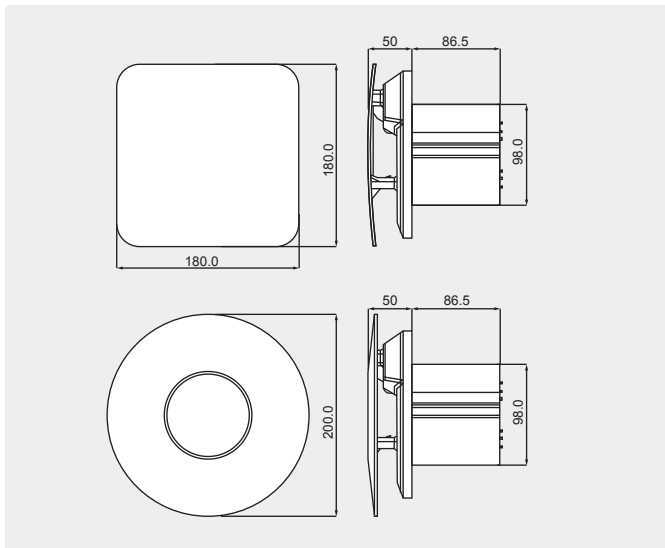
4"/100mm extractor fan



### Overview

4" / 100mm extractor fan for the effective control of humidity and odours in bathrooms, shower rooms, cloakrooms and toilets.

### Dimensions (mm)



### Models

<b>C4S</b> Square intermittent extract fan	<b>92960AW</b>
<b>C4TS</b> Square intermittent extract fan with timer	<b>92962AW</b>
<b>C4PS</b> Square intermittent extract fan with pullcord	<b>92964AW</b>
<b>C4HTS</b> Square intermittent extract fan with humidistat and timer	<b>92966AW</b>
<b>C4R</b> Round intermittent extract fan	<b>92961AW</b>
<b>C4TR</b> Round intermittent extract fan with timer	<b>92963AW</b>
<b>C4PR</b> Round intermittent extract fan with pullcord	<b>92965AW</b>
<b>C4HTR</b> Round intermittent extract fan with humidistat and timer	<b>92967AW</b>

### Key features

- The quietest intermittent bathroom fan on the market
- Sleek and subtle design with interchangeable fascia options available in square and round
- 2 speeds – 15l/s and 21l/s - selectable at install
- Suitable for wall, ceiling, panel and window fitting
- Complies with building regulations Part F and L

Product Selector	C4	C4T	C4P	C4HT
Speeds	2	2	2	2
Electrical Power Rating (W)	6.7 / 7.7	6.7 / 7.7	6.7 / 7.7	6.7 / 7.7
Extract performance (l/s)	15 / 21	15 / 21	15 / 21	15 / 21
SPF (W/l/s)	0.45 / 0.37	0.45 / 0.37	0.45 / 0.37	0.45 / 0.37
Sound Pressure Level (dBA@3M)	16 / 29	16 / 29	16 / 29	16 / 29
IP Rating	4	4	4	4

Sound pressure testing carried out at ISVR, University of Southampton - June 2014