



# MAX COMMERCIAL TRUNKING

## INSTALLATION INSTRUCTIONS

### Installation

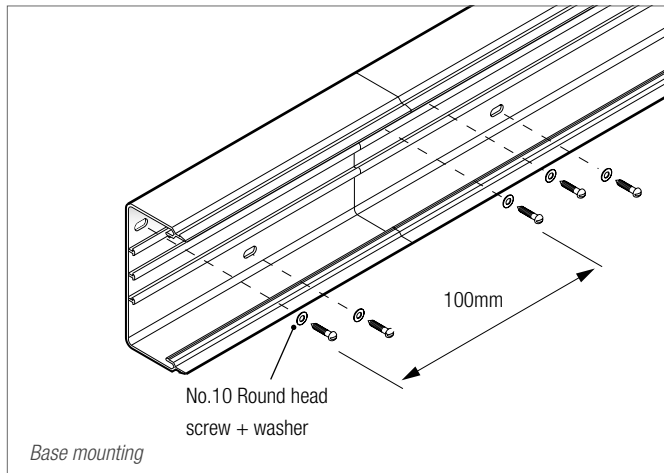


To ensure a safe installation, this product must be installed and maintained by a competent person in accordance with requirements of the 16th Edition of the IEE Wiring Regulations (BS 7671).

### Base Mounting

All REHAU MAX base profiles are supplied with pre-punched fixing slots. These are 6.5 x 12mm and conveniently spaced every 100mm.

Use of No.10 round head screws and washers, or hammer wall fixings is recommended.



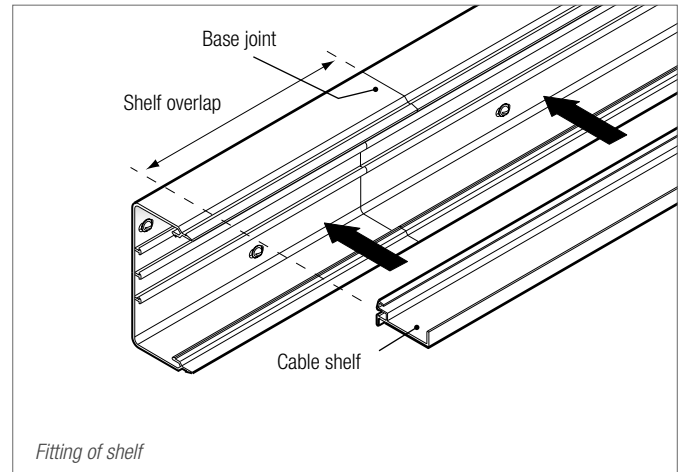
Over tightening of fixings must be avoided to prevent damage to the base.

Adjacent lengths of trunking should be butted against each other. For applications where joining of base lengths is required self-adhesive couplers are available separately.

### Use of Cable Shelf

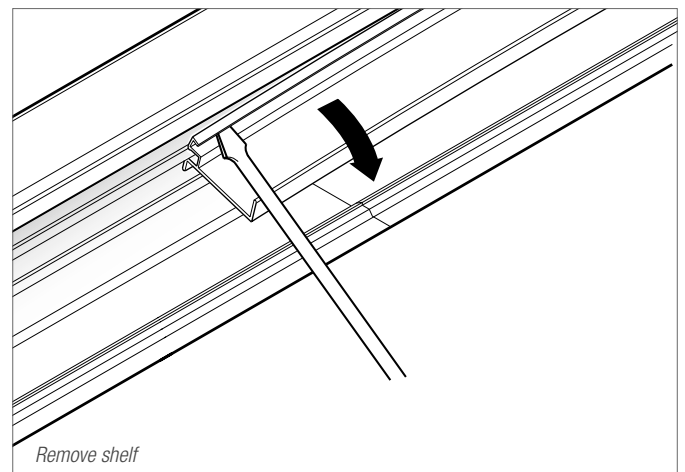
Shelves may be quickly fitted to MAX base profiles (only 50 + 100 depth trunking), to allow segregation of cabling.

Cables shelves clip over the DIN rail feature, which is present in the trunking base. When fitting, ensure that the return lip on the shelf is facing upwards. Note that the integrity of a base joint is greatly improved by ensuring the shelf bridges it.



Cable retainers should be used in conjunction with the shelves to improve support. (See Cable Retainers section below).

Shelf removal is easiest using a flat bladed screwdriver. The screwdriver blade should be inserted into the outer 'U' feature of the shelf foot at the end of the length. The shelf can then be released by using the screwdriver to lever the clip open. Once the end of the clip has been released, the shelf can be removed with a peeling action.

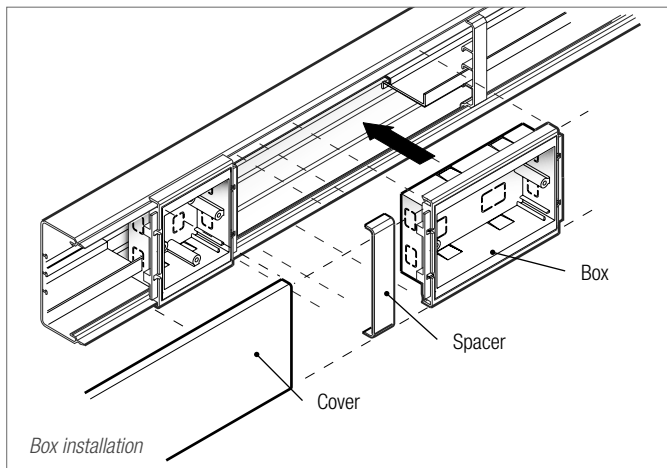


The number of DIN rails present in the base determines the number of shelves that can be fitted to a length of MAX trunking.

See Product Section for details.

### Accessory Box Installation. (Only MAX 100/50)

Accessory boxes clip directly into the base, and should be located prior to fitting covers.

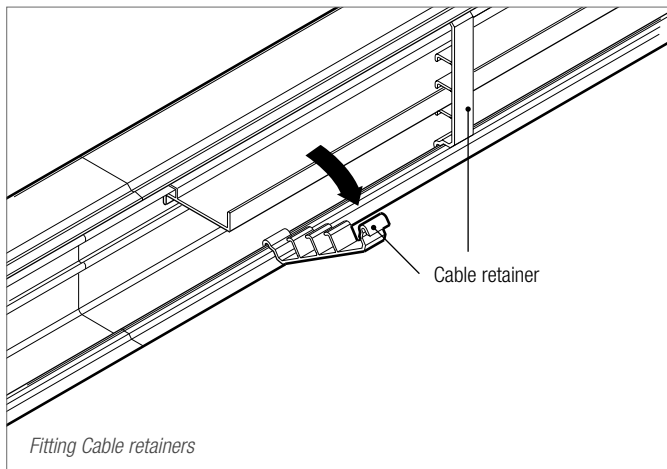


The covers are intended to overlap the accessory box to improve integrity of the installation.

For instances where boxes are positioned adjacent to each other cover spaces should be used.

### Cable Retainers (Only available for 100/50 & 100/100)

Cable retainers clip directly into the base.



In addition to restricting movement of cabling, the retainers also provide support for the cable shelf. This is particularly important where the weight of cabling is higher.

Fitting of retainers at maximum 500mm intervals is recommended to provide proper support to the shelf.

Unclipping one side of a retainer will permit rotation, thereby allowing cables to be added or removed without detaching the retainer or releasing other cables from the trunking.



Support limbs should be removed from the retainer if shelves are not used. A notch is provided to aid this.

### Cover Fitting And Removal

Once fitted MAX covers are intended to provide a high degree of security and protection to the cabling inside. This is especially important for installations where cabling is to be installed across a ceiling.

Removal of covers is easiest using a flat blade screwdriver. The screwdriver blade should be carefully inserted between the inside edge of the cover and the clip on the base.

The screwdriver should then be twisted to prize open the clip, allowing the cover to be released. This is repeated for the clip on the other side, before peeling off the cover length. Covers should always be fitted, and removed by working from an end.



The integrity of an installation can be greatly improved by ensuring that joints between base sections are offset from joints between covers.

The MAX 100/50 is supplied with protective foils on the base and cover. These should only be removed on completion of the installation.

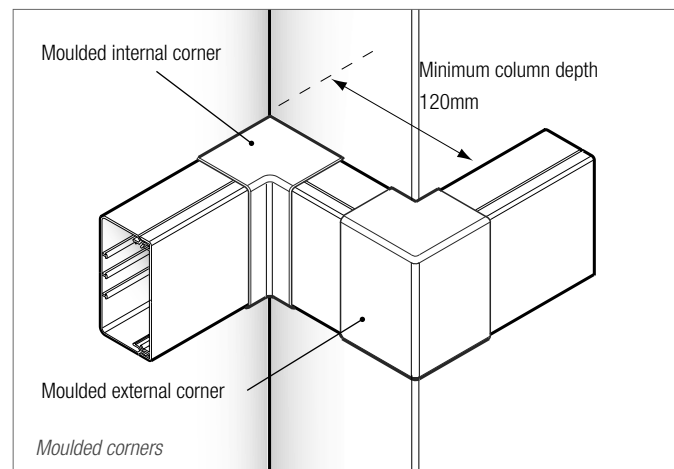
### Moulded Accessories

End cap and corner mouldings clip directly on to the MAX trunking, and provide a 6mm overlap to compensate for variation in cutting of the covers.

### Internal / External Corners

Corner mouldings are available for the following sizes- 50/50, 75/70, 75/75 & 100/50.

When installing on columns ensure there is sufficient room to allow fitting of the mouldings. Moulded fittings may only be used where the column is greater than 120mm deep (for 50mm deep mouldings or 145mm for 75mm deep mouldings).



**Joint Cover**

Moulded joint covers are only available for the 100/50 size.

A gap of 10mm should be left between cover lengths to allow fitting of joint covers.

The sets comprise a pre-fabricated housing section, and a DIN rail mounting bracket.

**General Notes:**

Before removing covers or undertaking any maintenance to a trunking installation, the mains electricity supply MUST be turned OFF.

When installing a single length of trunking between two walls it is advisable to locate a joint at the centre to allow easier access to cabling.

Cutting of base and covers should be undertaken with a fine toothed saw and finished with a sharp knife.

For cleaning of MAX trunking use Standard PVC cleaner. Abrasive materials must not be used as these will damage the surface finish.