

Metal Consumer Units and Enclosures

Standards and approvals

All Sentry consumer units are designed to fully comply with the requirements of BS EN 61439-3.

TECHNICAL SPECIFICATION

ELECTRICAL

MAXIMUM CURRENT RATING

All Sentry consumer units have a maximum rating of 100A except the 4 module range which is rated at 63A

TERMINAL CAPACITY

16mm² earth and neutral

RATED FREQUENCY

50Hz

RATED OPERATIONAL VOLTAGE

Consumer unit: 220-250V

RATED INSULATION VOLTAGE

Consumer unit: 300V

SHORT CIRCUIT WITHSTAND

16kA rms (based on the use of a BS 1361 Type 2 fuse of rating not exceeding 100A)

EARTHING SYSTEM

Suitable for use with TN-S, TN-C-S and TT systems

SPLIT LOAD

Split load units are supplied with a pre-fitted switch, RCD(s) and suitable cables



Description

Specific consumer unit configurations have been designed to provide flexible solutions in meeting the requirements of the 17th Edition with regards to RCD protection for circuits, cables and socket outlets. MK Sentry Metal Consumer units allow for protected and unprotected ways with the circuits being split across up to 2 RCDs, whilst the labelling sheet allows for full identification of all circuits.

Sentry Metal Consumer units and enclosures are designed on a modular basis, with 4 to 21 module enclosures in the range, to accommodate a wide variety of MK modular protection and control products. Sentry Metal Consumer units provide a housing with facility for earthing the metal box.

The enclosures are provided with ample wiring space and cable entry points.

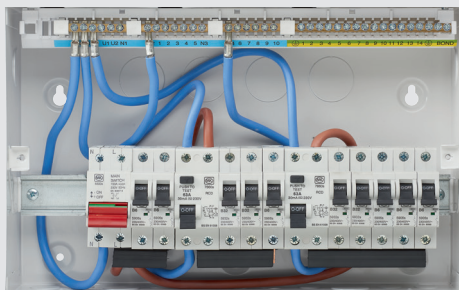
Colours / finishes

All Sentry Metal Consumer units are colored in white (UV protected powder coated paint).

Certain models are provided with a pre-assembled split load arrangement with switch and up to 2 RCDs. The range is complemented by a versatile selection of small four module enclosures suitable for housing RCDs or other combinations of Sentry products.

All Sentry Metal Consumer Units have neutral and earth terminal bars with 16mm² capacity for solid stranded copper cables.

For enquiries where large number of similarly designed consumer units i.e. specified. MK can provide complete pre-assembled factory built units, subject to certain conditions. For further information please contact the MK Electric Technical Services Department (01268 563274).



FEATURES

- Attractive styling
- Modular design
- Suitable for most residential, commercial and light industrial applications
- Single, dual and RCD consumer units available for 17th Edition compliance
- Fully comply with British and European Harmonised Standards
- Available as an empty enclosure or prefitted with switch disconnecter and up to 2 RCDs
- Custom build options available

TECHNICAL SPECIFICATION

PHYSICAL

AMBIENT OPERATING TEMPERATURE

-5°C to +40°C (not to exceed an average of more than 35°C in any 24 hour period)

IP RATING

IP2XC

WEIGHTS

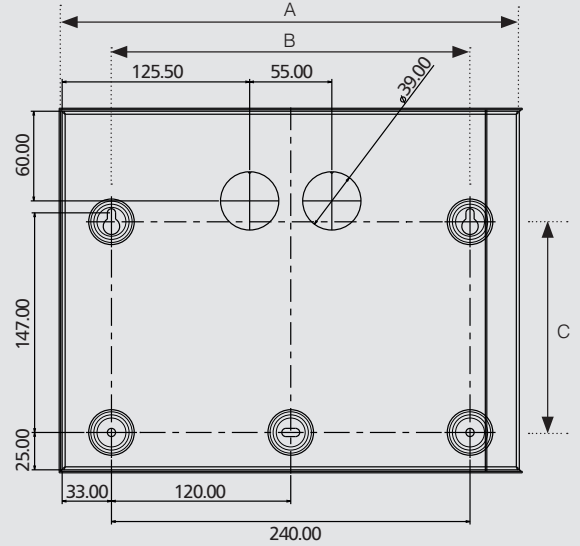
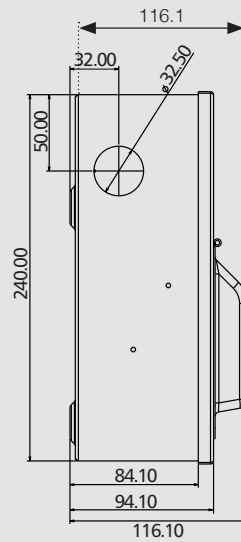
4 WAY: 1.9kg
8 WAY: 2.8kg
12 WAY: 3.4kg
16 WAY: 4.0kg
21 WAY: 4.7kg

METAL CONSUMER UNITS

WAYS	DIMENSIONS		
	A OVERALL WIDTH	B DISTANCE BETWEEN CENTRES OF FIXING HORIZONTAL	C DISTANCE BETWEEN FIXING CENTRES VERTICALLY AS ORIENTATED IN THE DIAGRAMS
4	144	85	147
8	238	168	147
12	310	240	147
16	382	308	147
21	472	400	147

Dimensions (mm)

Consumer unit



Dimensions (mm)

Knockout

