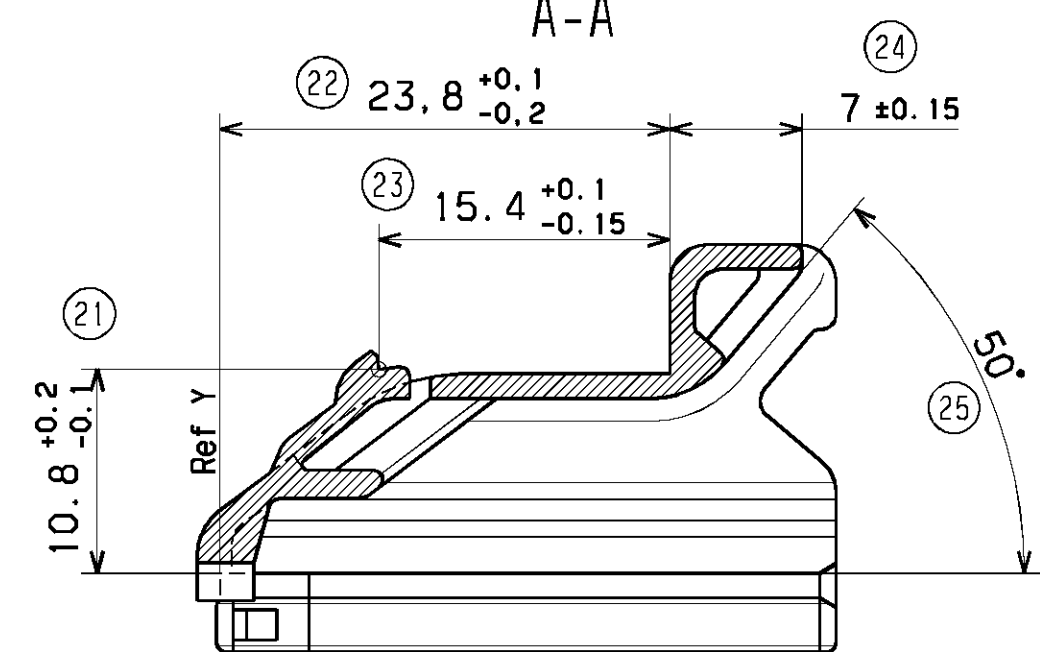
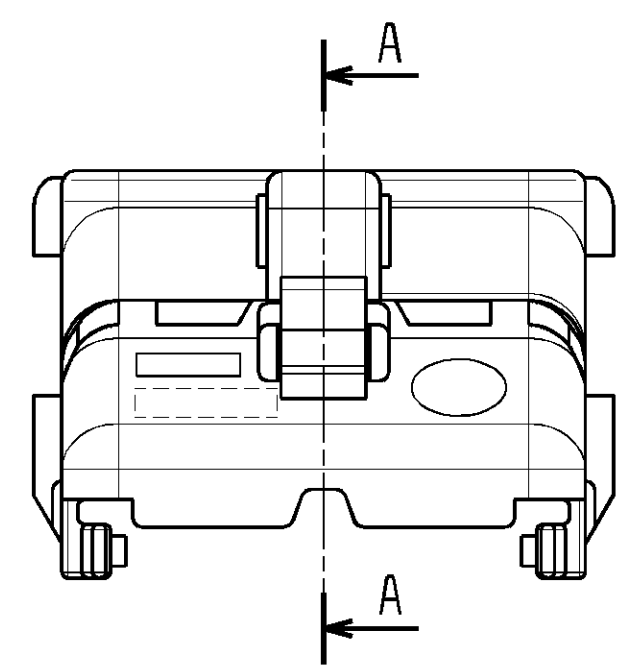
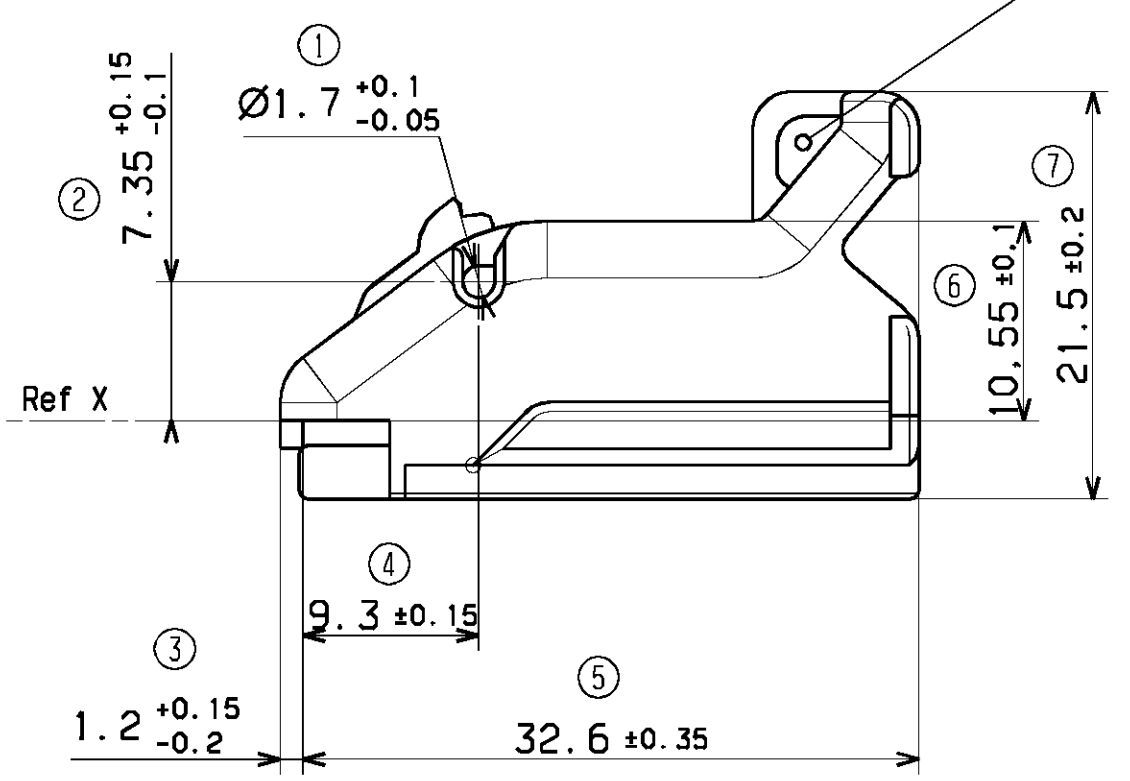
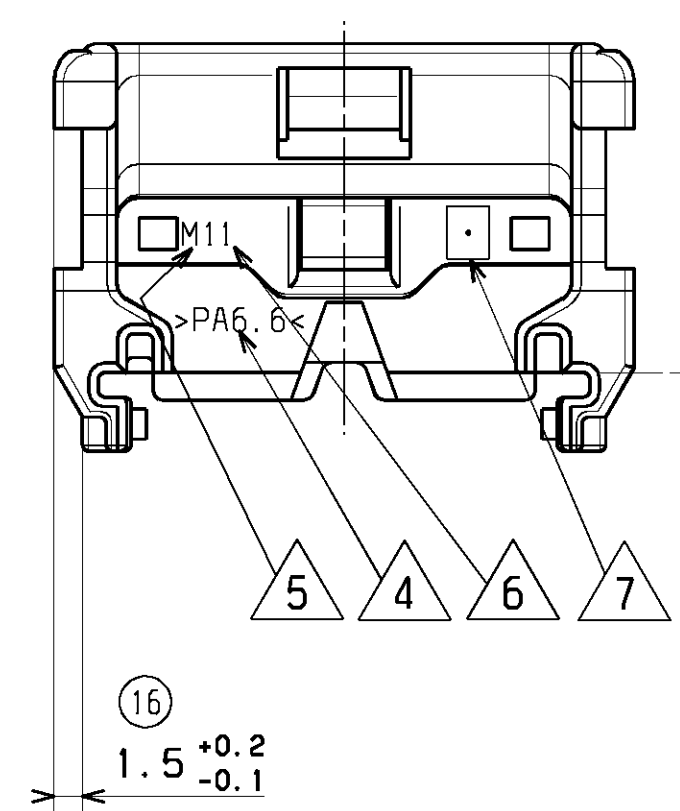


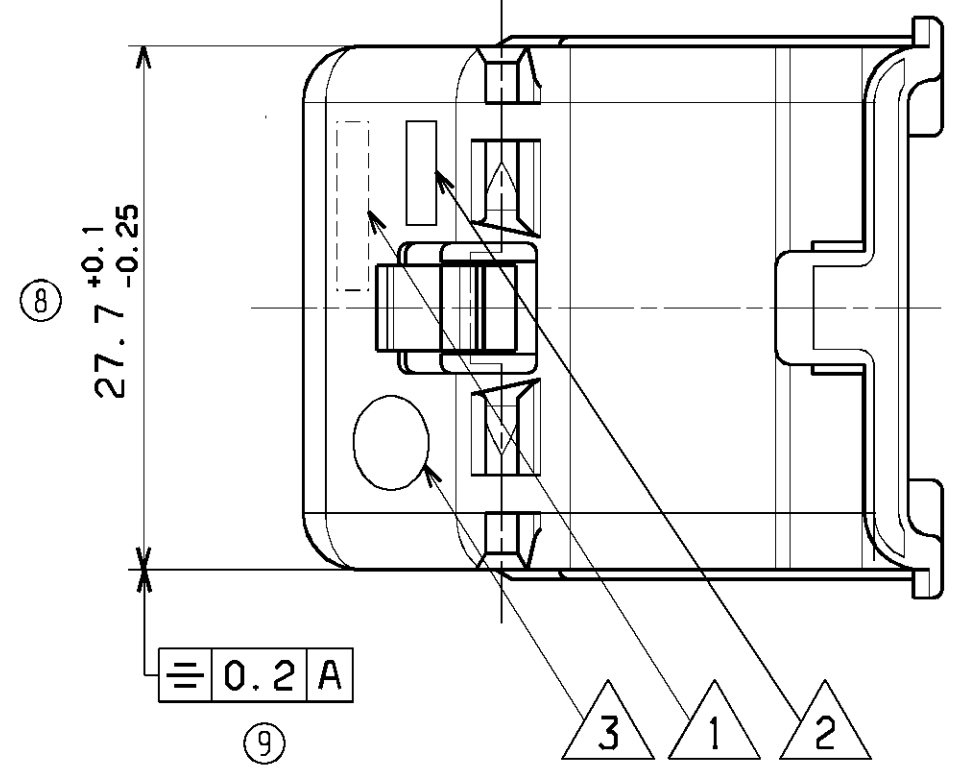
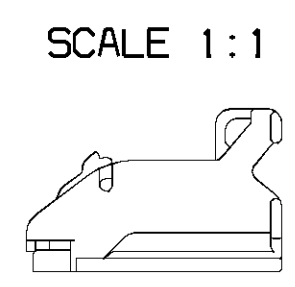
This hole accept a cable-tie maximum section of 3,2x1,2mm



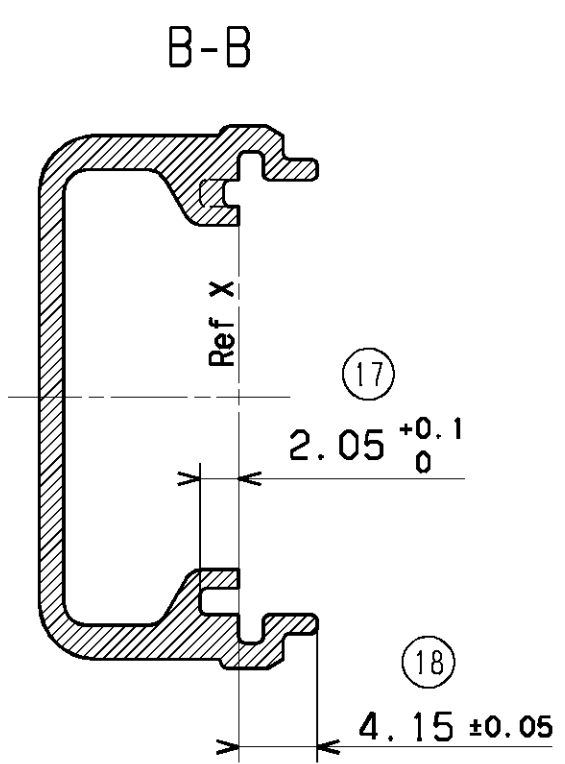
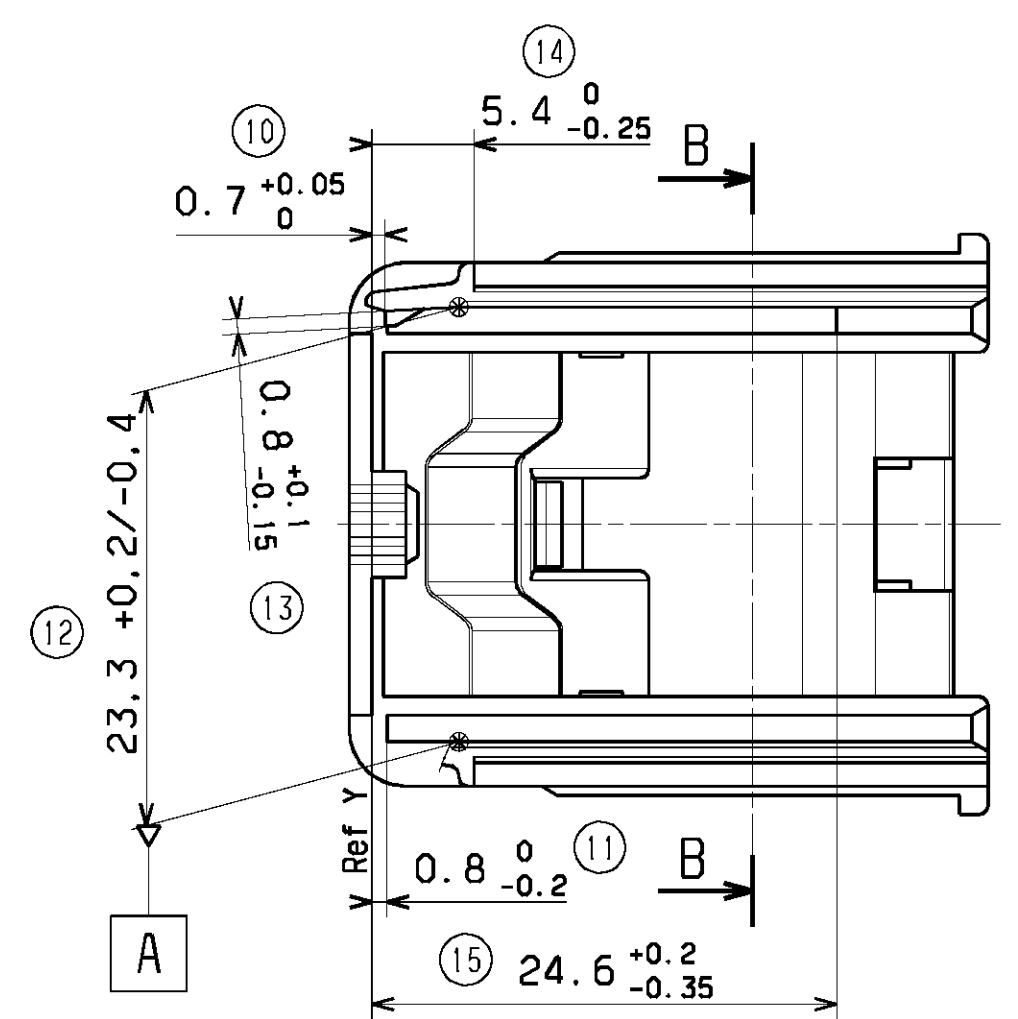
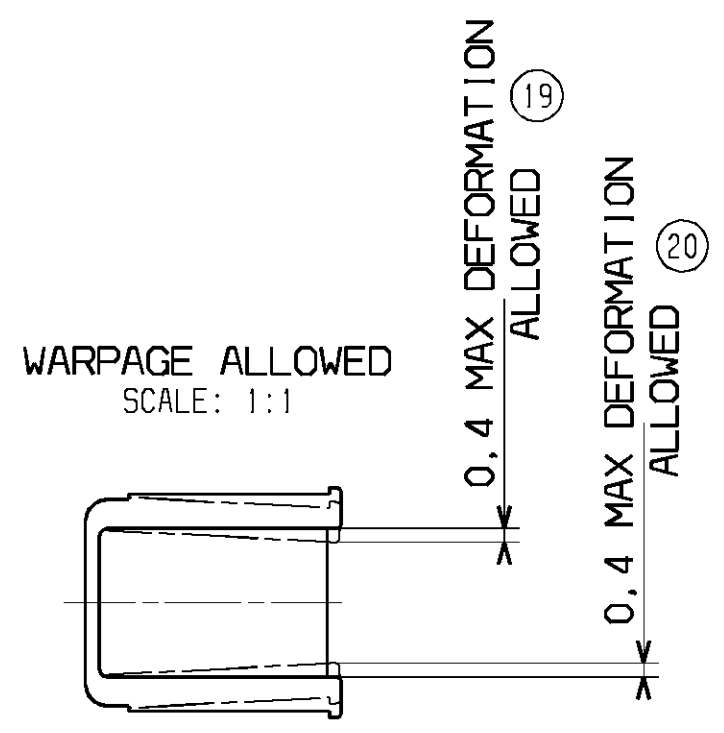
MARKINGS

1	Supplier identification
2	Supplier part number
3	Date MONTH/YEAR
4	Material
5	Mould identification M1 ou M2
6	Print identification (number)
7	Revision level identification

- NOTES
- 1-MATERIAL : PA 6.6 BLACK heat stabilized
 - 2-DELIVERED PRODUCT WEIGHT: 3,6 g
 - 3-RELATED COUNTERPART FEMALE CONNECTORS (32WAY)



UPDATED DRAWING EC NO: G2008-0367 DRWN: TBADAROUX 2008/05/16 CH *KD: PGRANDCL 2008/05/16 APPR: CBOUCHAN 2008/05/16	GENERAL TOLERANCES (UNLESS SPECIFIED)		DIMENSION STYLE MM ONLY		SCALE 2,5:1	DESIGN UNITS METRIC	FIRST ANGLE PROJECTION	
	4 PLACES ±	±	mm	INCH	DRAWN BY TBADAROUX		DATE 2007/07/16	
	3 PLACES ±	±			CHECKED BY PGANDCLAUDE		DATE 2007/07/16	
	2 PLACES ± 0.1	±			APPROVED BY CBOUCHAN		DATE 2007/07/16	
		1 PLACE ± 0.1	±			MATERIAL NO. 0643191201		DOCUMENT NO. SD-64319-002
		ANGULAR ± 2 °				MOLEX INCORPORATED		SHEET NO. 1 OF 1
DRAFT WHERE APPLICABLE MUST REMAIN WITHIN DIMENSIONS				SIZE A2		THIS DRAWING CONTAINS INFORMATION THAT IS PROPRIETARY TO MOLEX INCORPORATED AND SHOULD NOT BE USED WITHOUT WRITTEN PERMISSION		



This hole accept a cable-tie maximum section of 3,2x1,2mm

MARKINGS

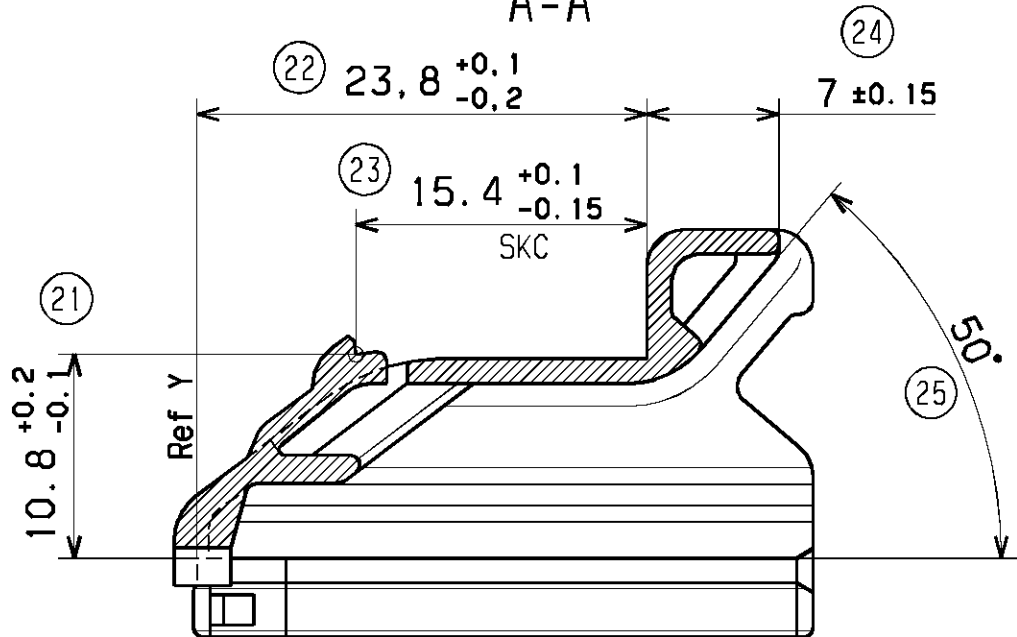
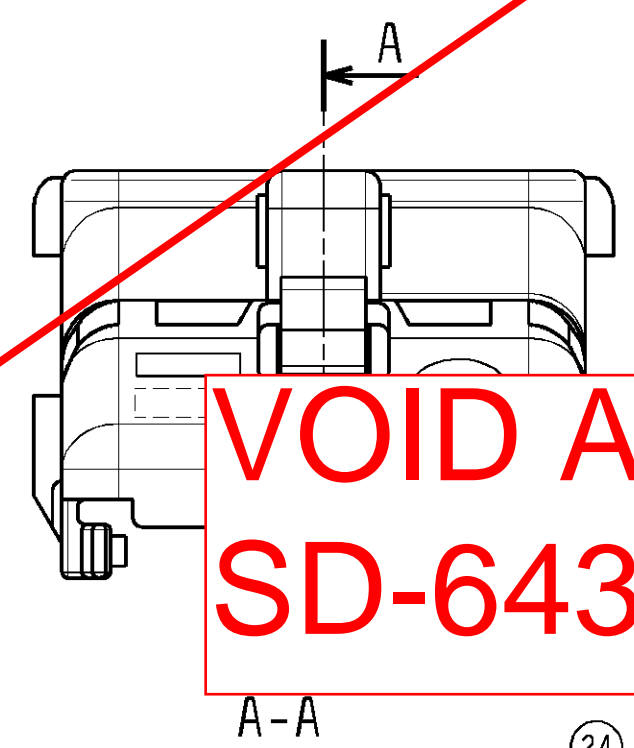
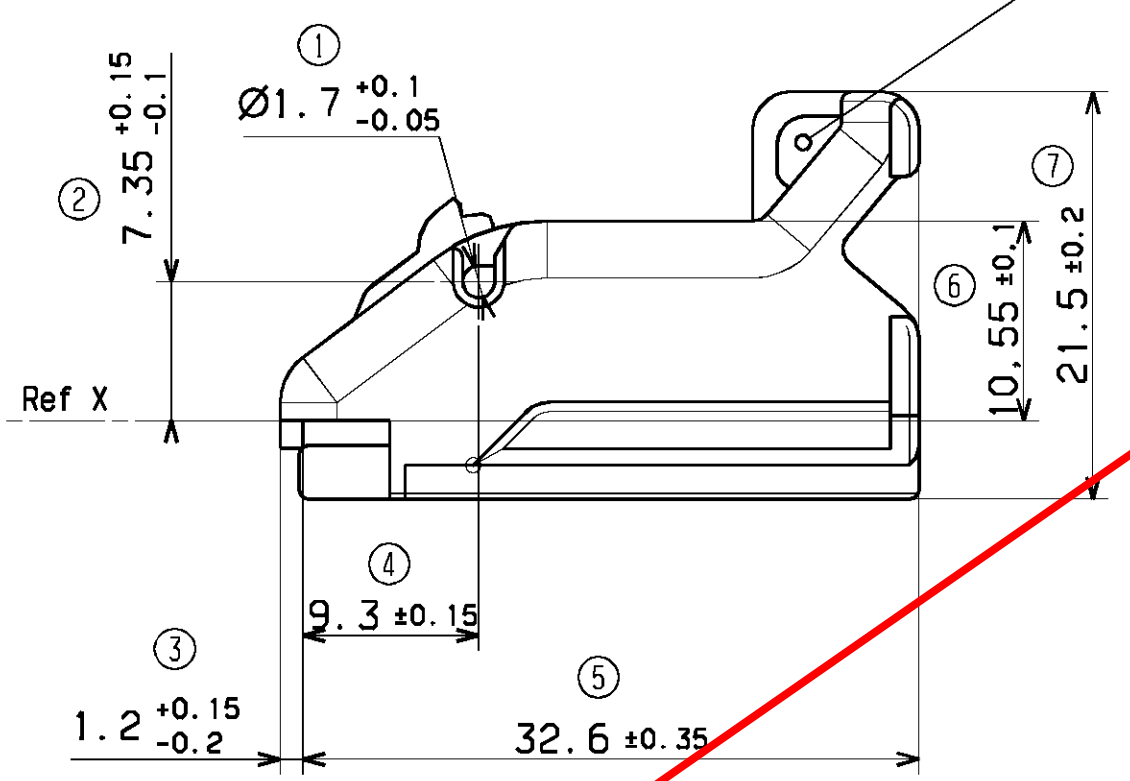
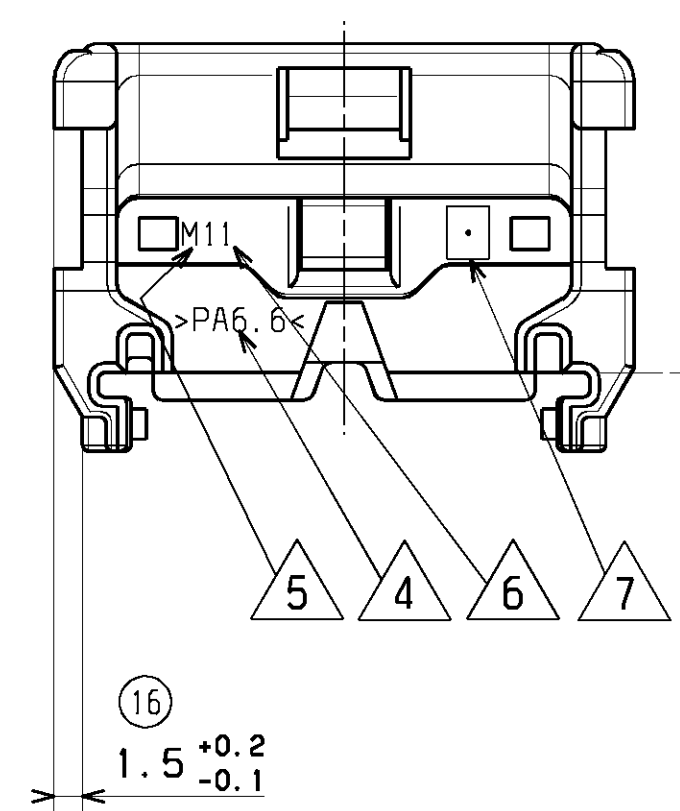
1	Supplier identification
2	Supplier part number
3	Date MONTH/YEAR
4	Material
5	Mould identification M1 ou M2
6	Print identification (number)

● DENOTES FUNCTIONAL DIMENSIONS

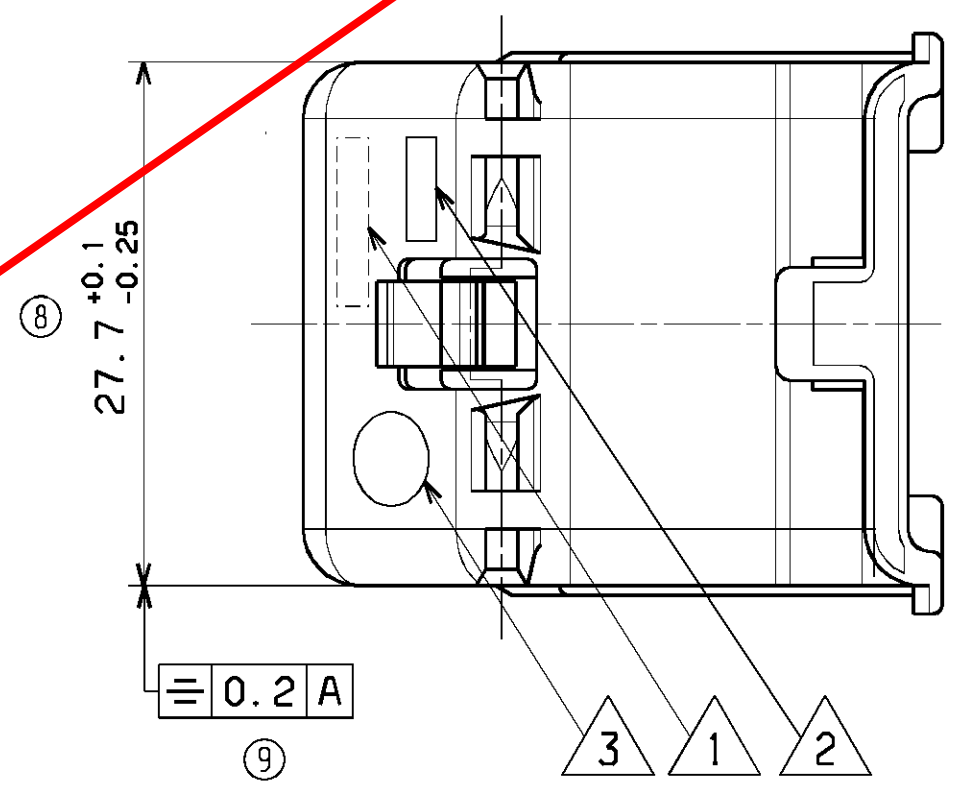
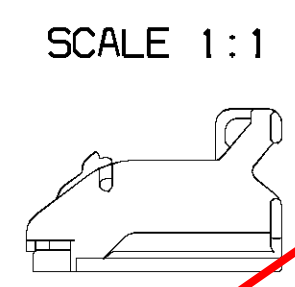
QUANTITY PER INDIVIDUAL SHEET

☒ 0 ☉ 0 ● 0 SKC: 1

VOID AND SUPERSEDED BY SD-64319-002 rev B



- NOTES
- 1-MATERIAL : PA 6.6 BLACK heat stabilized
 - 2-DELIVERED PRODUCT WEIGHT: 3,6 g
 - 3-RELATED COUNTERPART FEMALE CONNECTORS T2 (32WAY)



UPDATED DRAWING EC NO: G2008-0367 DRWN: TBADAROUX 2008/04/21 CH *KD: PGRANDCL 2008/04/21 APPR: CBOUCHAN 2008/04/21	GENERAL TOLERANCES (UNLESS SPECIFIED)		DIMENSION STYLE MM ONLY		SCALE 2,5:1	DESIGN UNITS METRIC	FIRST ANGLE PROJECTION		
	4 PLACES ±	±	mm	INCH	DRAWN BY TBADAROUX	DATE 2007/07/16	TITLE WIRE CAP T2 32 WAY MATT SEAL VERSION		
	3 PLACES ±	±			CHECKED BY PGANDCLAUDE	DATE 2007/07/16	MOLEX INCORPORATED		
	2 PLACES ± 0.1	±			APPROVED BY CBOUCHAN	DATE 2007/07/16	MATERIAL NO. 0643191201	DOCUMENT NO. SD-98993-004	SHEET NO. 1 OF 1
				1 PLACE ± 0.1 ±			THIS DRAWING CONTAINS INFORMATION THAT IS PROPRIETARY TO MOLEX INCORPORATED AND SHOULD NOT BE USED WITHOUT WRITTEN PERMISSION		
DRAFT WHERE APPLICABLE MUST REMAIN WITHIN DIMENSIONS		ANGULAR ± 2 °		SIZE A2					