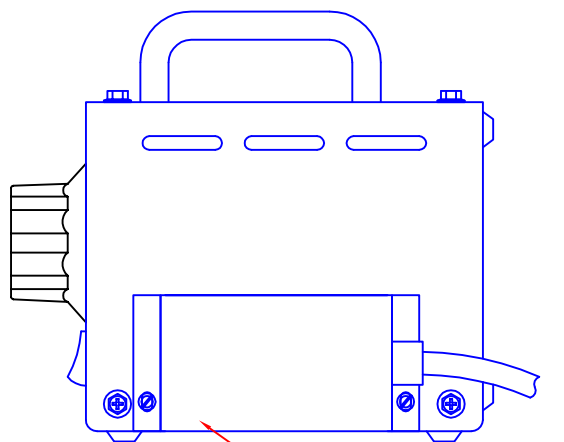
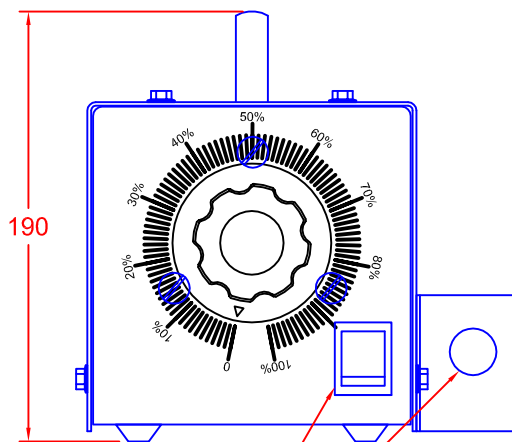


TOLERANCES (UNLESS SPECIFIED)	
0-10mm	±0.2mm
10.1-50mm	±0.5mm
50.1-250mm	±1.0mm
>250mm	±2.0mm



TERMINAL COVER

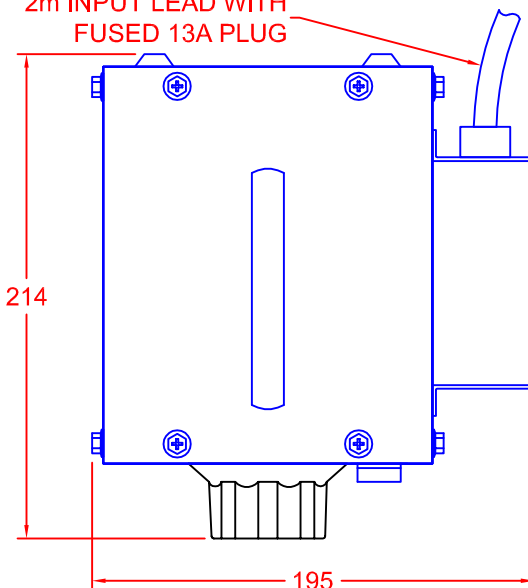


190

ON/OFF SWITCH

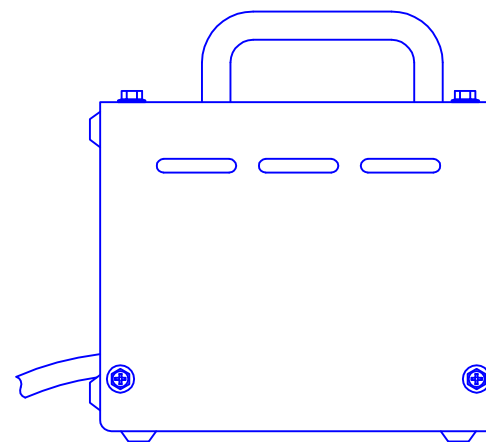
Ø20mm KNOCKOUT
FOR GLANDING

2m INPUT LEAD WITH
FUSED 13A PLUG

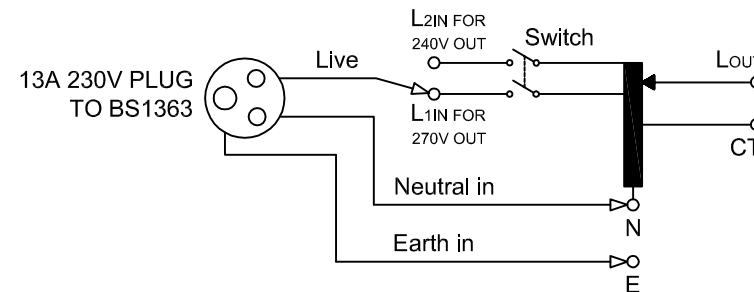


214

195



CONTROL
KNOB



SINGLE PHASE VARIABLE AUTOTRANSFORMER
MODEL: MVT0.3k/1.1A-1E
INPUT: UP TO 240V, 50/60Hz
OUTPUT: 0-100% OF INPUT (USE L2 240V) OR
 0-112% OF INPUT (USE L1 270V)
RATING: 300VA AT 270V, 1.1A MAX
TERMINATION: M6 STUDS FOR RING CRIMPS
ENCLOSURE: IP20

REV	DESCRIPTION
4	
3	
2	
1	WIRING DIAGRAM, GB 16/03/16

CARROLL & MEYNELL
 TRANSFORMERS LIMITED
 TEL: 01642 617406 FAX: 01642 614178
 enquiries@carroll-meynell.com

TITLE
**VARIABLE TRANSFORMER
 ENCLOSED, 1.1A**
 ALL DIMENSIONS IN mm

DRAWN	PROJECTION	DATE	SCALE
GB		4/02/16	NTS
DRAW No	REV	PAGE	
7500	1	1/1	