
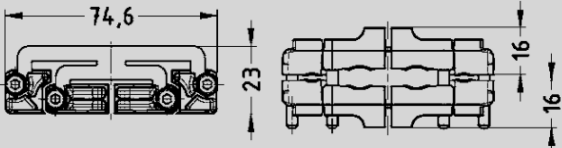


MODULE CONNECT

MAT01745437

ID	Part number	Picture	Drawing
Strain relief for Module Connect housing, 4 cable entries	MAT01745437		

Description

MAT01745437 – 4-way strain relief

One-piece unique strain relief system allowing 4 individual cables to be held separately.

Compliance

- EU RoHS / China RoHS / ELV and RoHS compliant
- REACH SVHC complaint

E-mail sales@igus.co.uk for further compliance certificates, or visit our website www.igus.co.uk

Parts in series

MAT01745430	MAT01745433	MAT01745436	MAT01745439
MAT01745431	MAT01745434	MAT01745437	MAT01745440
MAT01745432	MAT01745435	MAT01745438	MAT01745928

All compatible Harting Connector Ranges;
 Han-E / Han-DD / Han-D / Han-EE / Han-70 / Han-ES

The above ranges from Harting can all be housed in the arrangement of your applications design within the igus module connect.

Help to configure your design can be requested by contacting Darren Webb.



Darren Webb
 01604 677240
dwebb@igus.co.uk

/9001:2015
/16949:2016