

### Principal Applications

For applications requiring safe, leak-free, continuous flow of aggressive chemicals, acids, alkalis, solvents, sterile and chilled fluids.

### Wetted Materials

Standard EPDM O Ring, optional Nitrile or Viton  
PP encapsulated magnet  
PP pump housing, PPS optional  
PPS spindle housing  
Alumina ceramic spindle

All PPS version available for high temperature/pressure applications

### Features

Manufactured in chemical resistant thermo-plastics – entirely non-metallic  
Magnetic couplings provide an energy efficient thermal shield,  
minimising heat transfer to the pumped fluid  
IPX5 standard motor housing  
Deep groove ball bearings

**NEMP 50/7**  
230V 1Ph 50Hz  
230V 1Ph 50Hz  
230V 1Ph 60Hz  
230V 1Ph 60Hz

**Port Details**  
Plain 21mm  
1/2"bsp Male  
Plain 21mm  
1/2"bsp Male

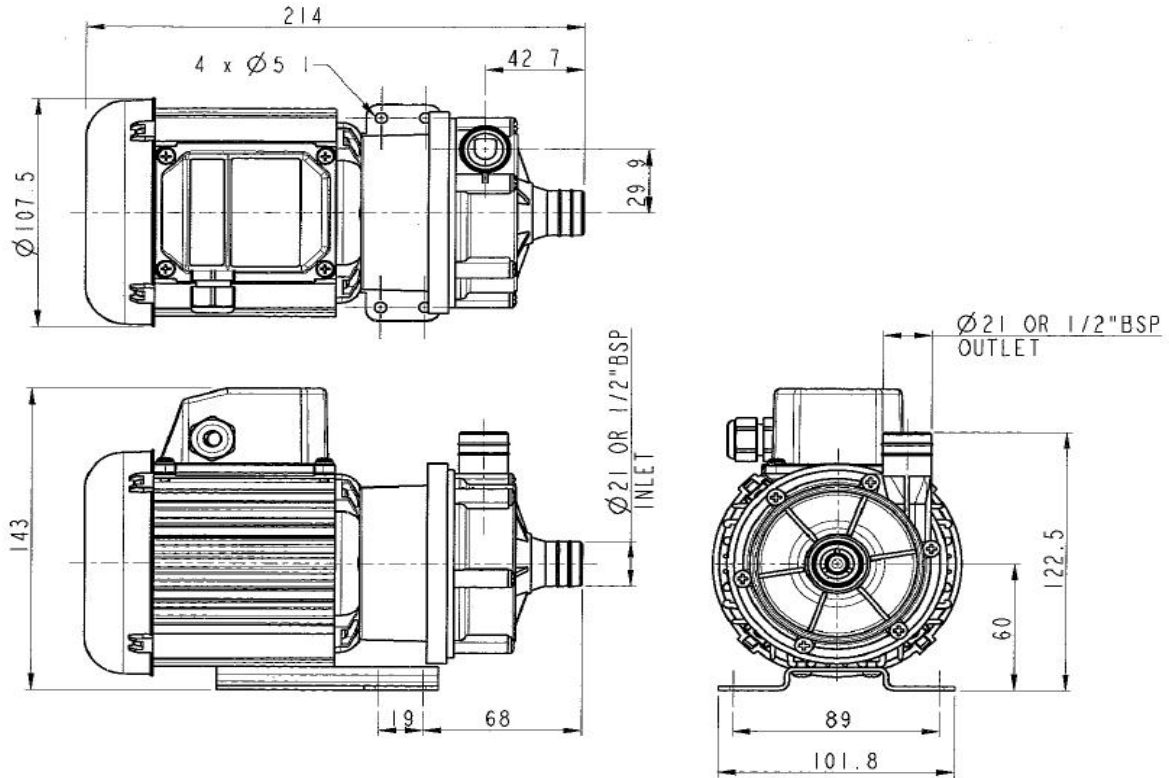
**NEMP 50/7**  
110V 1Ph 50Hz  
110V 1Ph 50Hz  
110V 1Ph 60Hz  
110V 1Ph 60Hz

**Port Details**  
Plain 21mm  
1/2"bsp Male  
Plain 21mm  
1/2"bsp Male



Drawings not to scale  
 Dimensions in millimetres

# NEMP 50/7



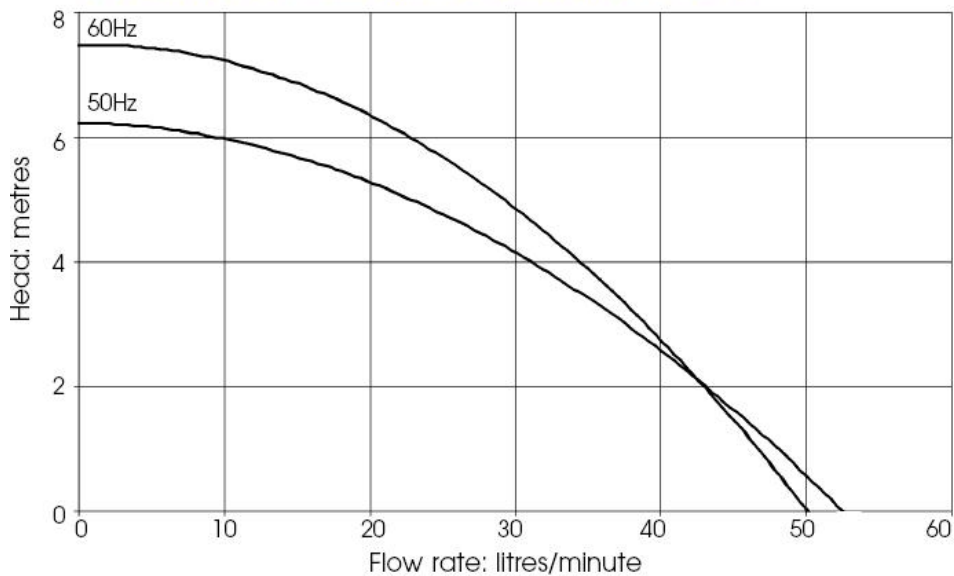
## Specification

Model	Overall height (mm)	Overall length (mm)	Overall width (mm)	Weight (kg)	Max body pressure (bar)	Max capacity (l/min)	Max head (m)	Temp range (degC)	*Max specific gravity	Motor output (watts)
NEMP50/7	143	214	102	3.2	1.4	50 Hz 53	6.2	-20 to +85	1.2	60
						60 Hz 50	7.5			

\*Assuming maximum viscosity of 30cp. Refer to Totton Pumps for higher viscosities and specific gravities

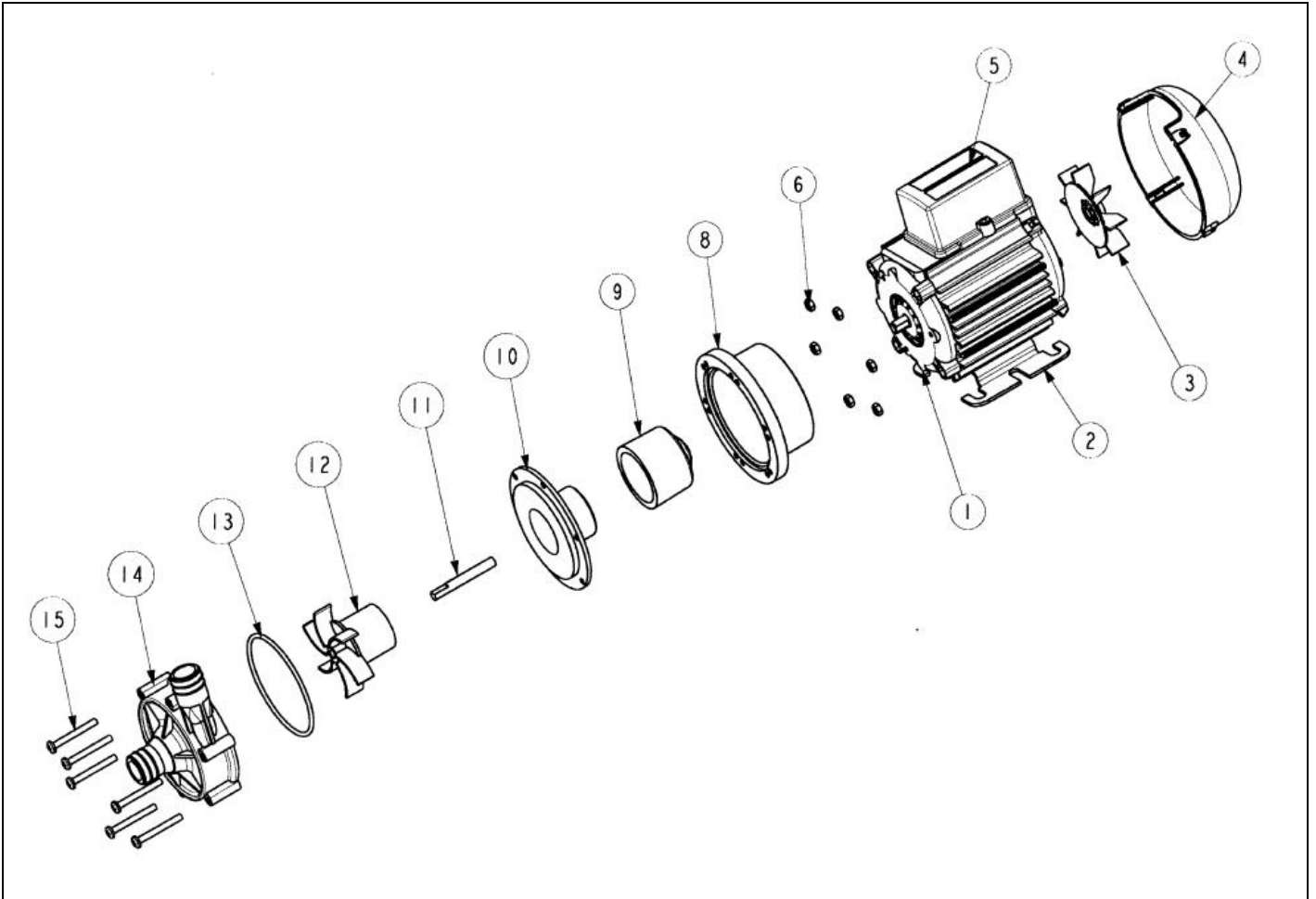
## Performance

Performance Tested with clean cold water @ 20° c



**NOTE:** These magnetically coupled pumps are designed for use with clean fluids. Solids will cause jamming. Abrasives will reduce pump life & invalidate the warranty. NEMP pumps are not self priming & are not designed to run dry  
 The company reserves the right to change specifications

## Part List



Item Number	Description	Quantity	Part Number			
1	Motor	1	116842 (230 V)		116875 (110V)	
2	Mounting Foot	1	036329			
3	Fan	1	001577			
4	Fan Cowl	1	036085			
5	Terminal Box	1	036028			
6	Nut	6	032105			
8	Adaptor	1	036324			
9	Drive Magnet	1	006287			
10	Spindle Housing	1	016311			
11	Spindle	1	006244			
12	Impeller	1	016355 (50Hz)		026215 (60Hz)	
13	O ring	1	013290 (EPDM)	021056 (Viton)	003398 (Nitrile)	
14	Pump Body	1	016358 (plain port PP)	016366 plain port PPS	016360 (threaded port PP)	016368 threaded port PPS)
15	Screw	6	022115			

### Totton Pumps Ltd.

Tel: +44 (0)23 8066 6685

Fax: +44 (0)23 8066 6880

Email: [info@totton-pumps.com](mailto:info@totton-pumps.com)

Web: [www.totton-pumps.co.uk](http://www.totton-pumps.co.uk)