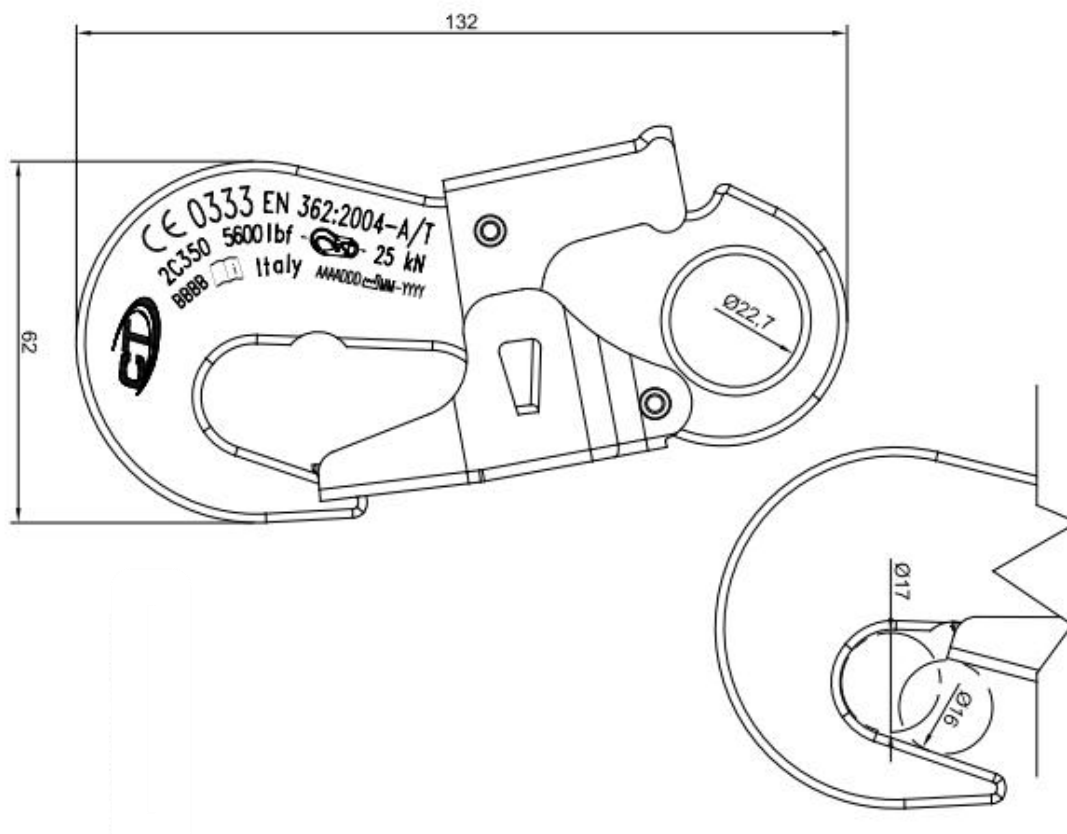


SHELTER

REF.NO.2C3500N



CT
climbing
technology



Light-alloy double gate connector ideal as terminal connector in lanyards.

Main features:

- shape designed to protect the gates from impacts over flat surfaces;
- space-saving, thanks to its compact shape;
- with a hole suitable for the connection of slings.

  Blue / Polished (2C3500N)

TECHNICAL FEATURES

Sizes 135 x 68 mm



SHELTER

REF.NO.2C3500N



STANDARD AND ADDITIONAL INFORMATION

EN 362:2004-A/T

CE 0333

INDIVIDUALLY
TESTED 100%





EU DECLARATION OF CONFORMITY

The manufacturer:

Aludesign S.p.A. - Via Torchio, 22 - 24034 Cisano B.sco (BG) - Italy

Declares under its sole responsibility that the following product:

Code:

2C350



With the trade mark: **CT**

Complies with the Regulation (EU) 2016/425 and with the standards:

EN 362:2004

The notified body:

VVUÚ a.s. – Ostrava – Radvanice, Pikartská 1337/7, PSČ 716 07

carried out the EU type examination (module B) and issued the EU type examination certificate:

1019-327/Q/2020

The product is subject to the conformity assessment procedure based on the quality assurance of the production process (module D) of Regulation (EU) 2016/425 under the supervision of the notified body:

AFNOR Certification (Notified Body 0333) - 11, rue Francis de Pressé - FR-93571 - La-Plaine Saint-Denis cedex-France

Cisano Bergamasco **30/09/2020**

Carlo Paglioli
President