



Plug-in part type 1 L-N Requirement class B, UC 350V 1-pole for combi-arrester 5SD744

Model	
product brand name	SENTRON
product designation	Plug-in part type 1
General technical data	
SPD classification according to EN 61643-11 Test Class II, Type 2	No
SPD classification according to EN 61643-11 Test Class I, Type 1	Yes
suitability for use	5SD7442-1,5SD7443-1,5SD7444-1
Mechanical Design	
height	45 mm
width	23.5 mm
depth	56.4 mm
net weight	180 g
Approvals Certificates	
General Product Approval	Declaration of Conformity

[Confirmation](#)



other	Environment
<p>Confirmation</p> <p>Miscellaneous</p> <p>Environmental Confirmations</p>	

Further information

Siemens has decided to exit the Russian market (see here).
<https://press.siemens.com/global/en/pressrelease/siemens-wind-down-russian-business>
 Siemens is working on the renewal of the current EAC certificates.
 Please contact your local Siemens office on the status of validity of the EAC certification if you intend to import or offer to supply these products to an EAC relevant market (other than the sanctioned EAEU member states Russia or Belarus).
Information on the packaging
<https://support.industry.siemens.com/cs/ww/en/view/109813875>
Information- and Downloadcenter (Catalogs, Brochures,...)
<http://www.siemens.com/lowvoltage/catalogs>
Industry Mall (Online ordering system)
<https://mall.industry.siemens.com/mall/en/en/Catalog/product?mifb=5SD7448-1>
Service&Support (Manuals, Certificates, Characteristics, FAQs,...)
<https://support.industry.siemens.com/cs/ww/en/ps/5SD7448-1>

Image database (product images, 2D dimension drawings, 3D models, device circuit diagrams, ...)

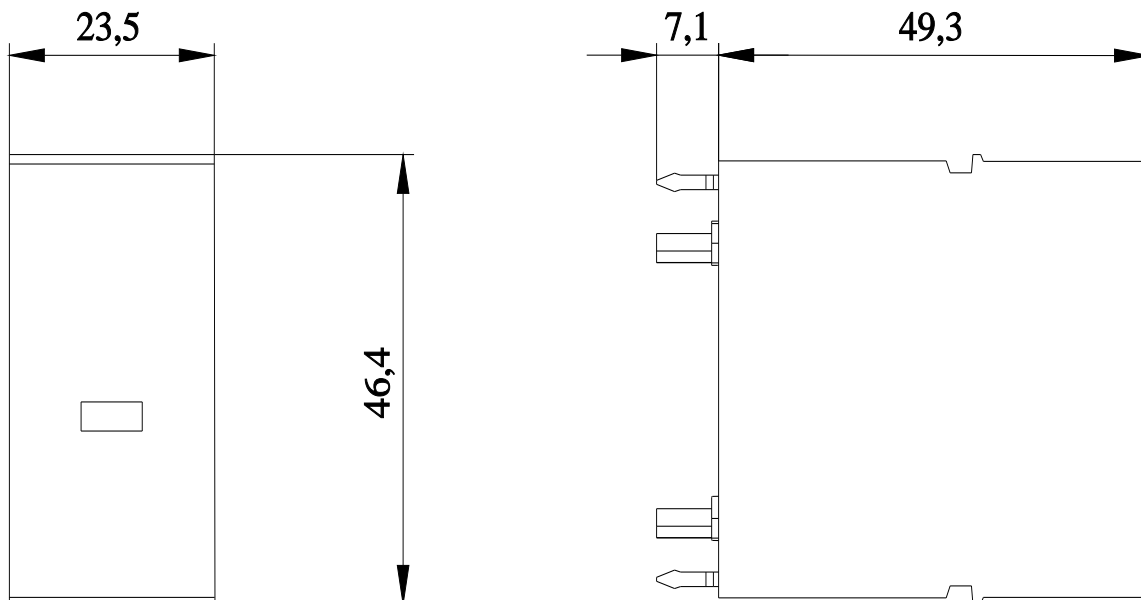
http://www.automation.siemens.com/bilddb/cax_en.aspx?mfb=5SD7448-1

CAX-Online-Generator

<http://www.siemens.com/cax>

Tender specifications

<http://www.siemens.com/specifications>



last modified:

8/15/2023 

