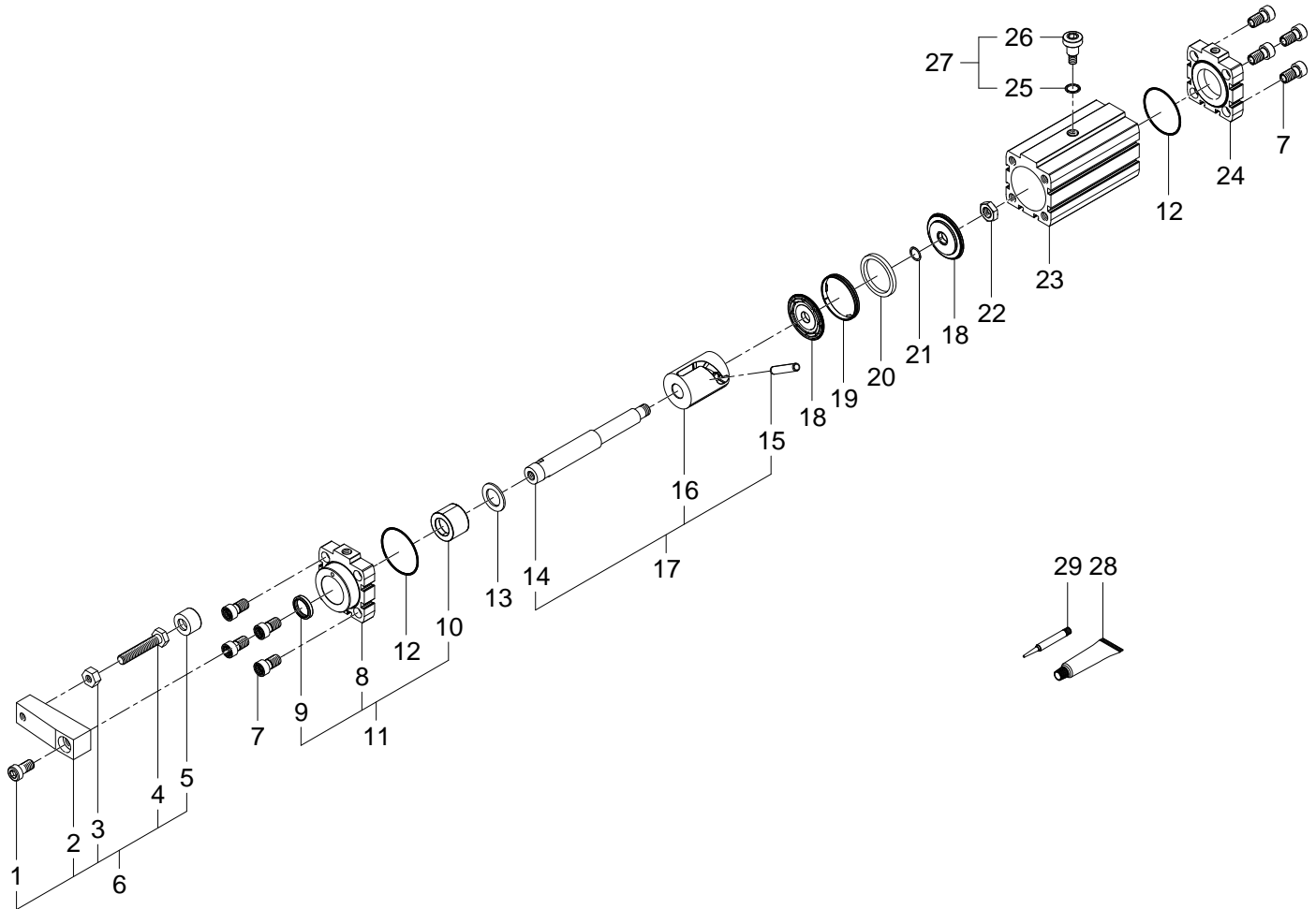


535459 CLR-50-20-R-P-A Linear/swivel clamp - Series till 02-2006



535459 CLR-50-20-R-P-A Linear/swivel clamp - Series till 02-2006

Pos.	Part no.	Type	Note	Qty.	Unit
A	673621	CLR-50-...-P-A Set of wearing parts	Spare parts: 5, 9, 12, 13, 18, 19, 25, 28, 29	1	PC
1		ISO 4762-M10X16-8.8 Socket head screw	Not available separately, see position 6 Tightening torque 47 Nm / 34.7 lbf ft	1	PC
2		CLR-50/63 Clamping finger	Not available separately, see position 6	1	PC
3	772975	DIN 934-M10-8 Hex nut	Tightening torque 0.5 Nm / 0.4 lbf ft	1	PC
4	672300	M10X55 Hexagon head screw		1	PC
5	671072	20X24X16 Cover cap		1	PC
6	535555	CLR-50/63-FS Clamping arm		1	PC
7	658857	ADN-50/63 flange screw	Use locking compound. See position 29 Tightening torque 35.4 Nm / 26.1 lbf ft	8	PC
8		CLR-50 Bearing cap	Not available separately, see position 11	1	PC
9	359748	WIFC1-20X25X4,6-TPE-U Wiper seal	Grease using during assembly. See position 28	1	PC
10		CLR-50 Bearing	Not available separately, see position 11	1	PC
11	669814	CLR-50 Bearing cap module		1	PC
12		B-50X1,2-N-NBR70 O-ring ISO3601	Not available separately, see position A Grease using during assembly. See position 28	2	PC
13		CLR-50/63 Cushioning	Not available separately, see position A	1	PC
14		IRA-20-S0150,7-A9IK Piston rod	Not available separately, see position 17	1	PC
15		DIN 6325-8M6X40 Cylindrical pin	Not available separately, see position 17	1	PC
16		CLR-50-20 Guide sleeve	Not available separately, see position 17 Grease using during assembly. See position 28	1	PC
17	696253	CLR-50-20 Piston rod module	Attention, please order position 27 as well	1	PC
18		BA-K01D-050 Piston module	Not available separately, see position A Grease using during assembly. See position 28	1	PC
19		BA-K01F-050 Guiding band	Not available separately, see position A	1	PC
20	358739	46,6X38,2X4,6BA-K01M-050 Ring magnet		1	PC
21		B-11,5X1,5-N-NBR75 O-ring ISO3601	Not available separately, see position A Grease using during assembly. See position 28	1	PC
22	203968	DIN 439-B-M12X1,25-04 Hex nut	Tightening torque 20 Nm / 14.8 lbf ft	1	PC
23		CLR-50-20 Cylinder barrel	Not available	1	PC
24		CLR-50 End cap	Not available	1	PC
25		B-11,5X1,5-N-NBR75 O-ring ISO3601	Not available separately, see position 27+999 Grease using during assembly. See position 28	1	PC
26		CLR-50 Guide pin	Not available separately, see position 27 Use locking compound. See position 29	1	PC

Pos.	Part no.	Type	Note	Qty.	Unit
27	689362	CLR-50 Pin module	Attention, please order position 17 as well Tightening torque 40 Nm / 29.5 lbf ft	1	PC
28	684474	LUB-KC1 SILIKONFREI 20ML Lubricating grease		1	PC
29	8181256	CYBERBOND TM44 TB1ML Adhesive bonding agent		1	PC