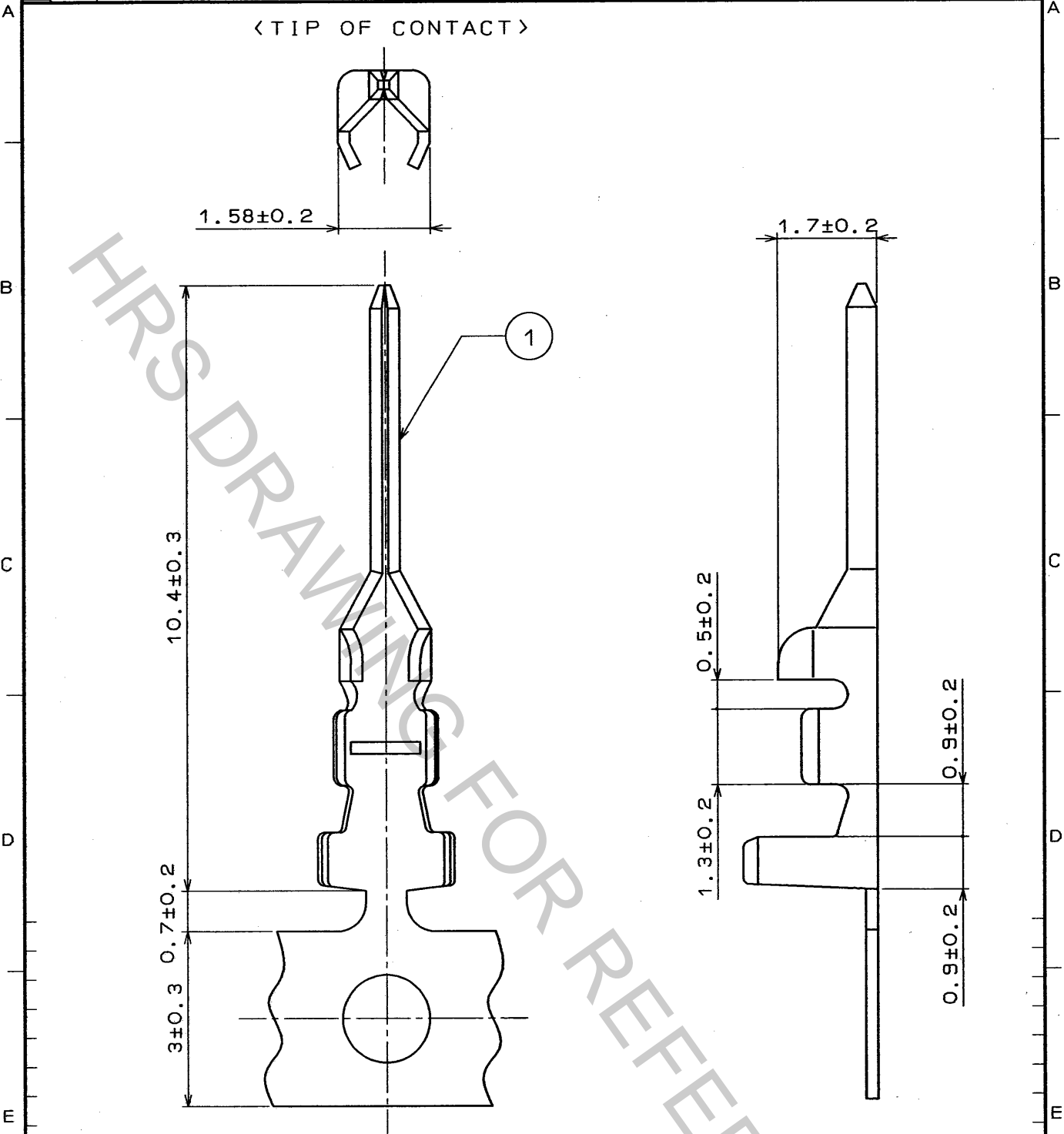


1					2					3					4					
COUNT	DESCRIPTION OF REVISIONS			BY	CHKD	DATE	COUNT	DESCRIPTION OF REVISIONS			BY	CHKD	DATE	COUNT	DESCRIPTION OF REVISIONS			BY	CHKD	DATE
△						..	△						..	△						..
△						..	△						..	△						..
△						..	△						..	△						..



NOTE1. ONE REEL HAS 10000 PIECES OF CONTACTS.

NO.		MATERIAL		FINISH, REMARKS		NO.		MATERIAL		FINISH, REMARKS	
		1		PHOSPHOR BRONZE				TIN PLATED			
CODE NO. (OLD)		DRAWN		DESIGNED		CHECKED		APPROVED		RELEASED	
		<i>T. Miyazaki</i>		<i>T. Miyazaki</i>		<i>C. Hanami</i>		<i>H. Yamano</i>			
		94.9.29		94.9.29		94.10.3		94.10.5			
DRAWING NO.		PART NO.		CODE NO.							
EDC4-083343-02		DF11-EP2428PCF		CL543-0615-4							
UNITS		HIROSE ELECTRIC CO., LTD.								1/1	
mm		HRS								INC	

TO