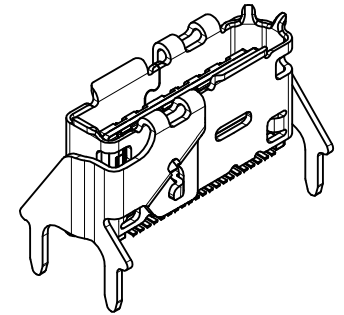
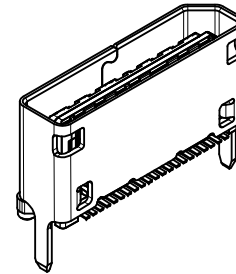
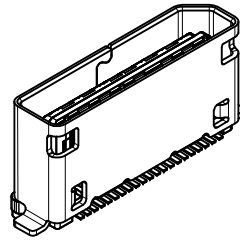


STATUS	MATERIAL NUMBER	PIN OUT OPTIONS	MATING LEVELS	CIRCUIT SIZE	SHELL ATTACH OPTION	DUST CAP COLOR
TOOLED	171983-0142	4X	3	42	SMT	BLACK
TOOLED	171983-2042	4X	3	42	TH	BLACK
PRE-PRODUCTION	171983-3042	4X	3	42	TH	BLACK

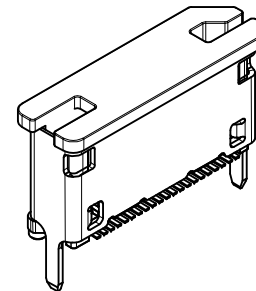
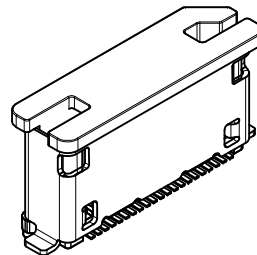
42 CIRCUIT HD SHELL

42 CIRCUIT SMT SHELL

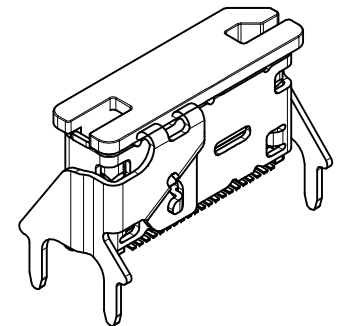


42 CIRCUIT THRU HOLE SHELL

42 CIRCUIT SMT SHELL W/ CAP



42 CIRCUIT HD SHELL W/ CAP



42 CIRCUIT THRU HOLE SHELL W/ CAP

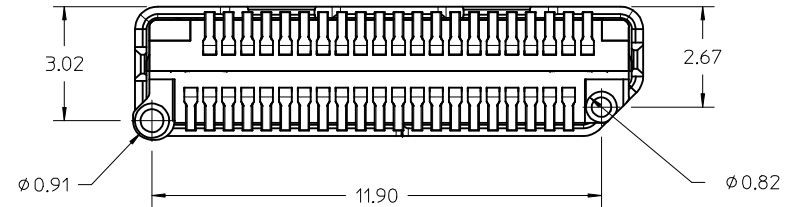
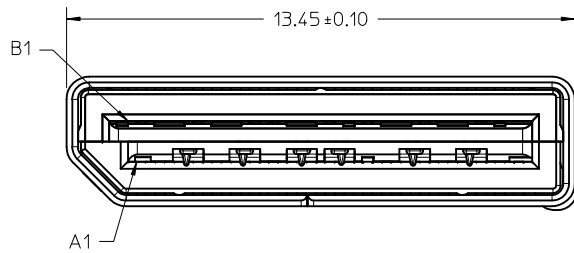
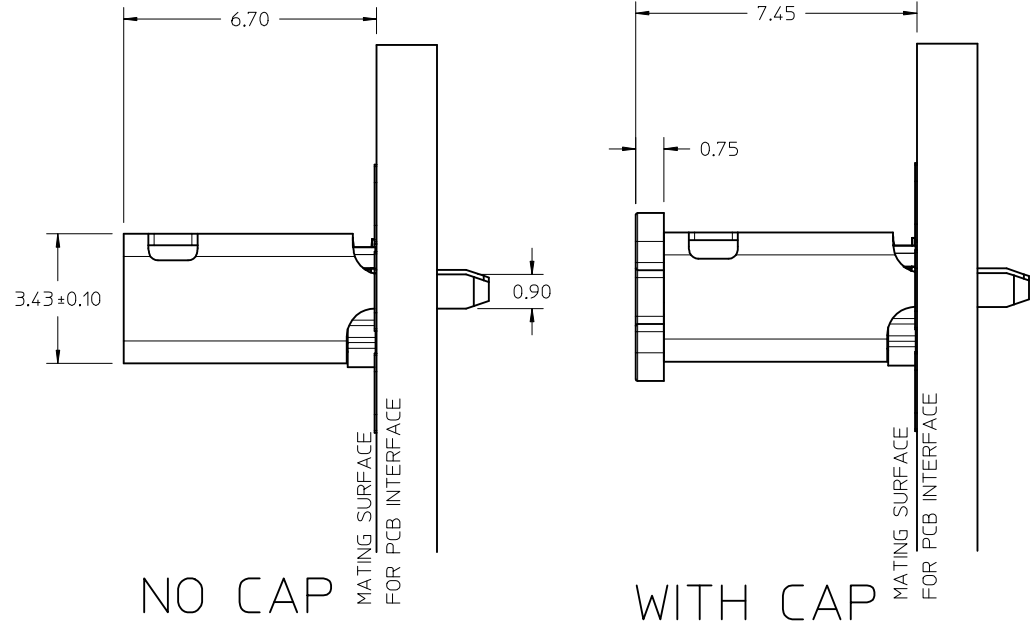
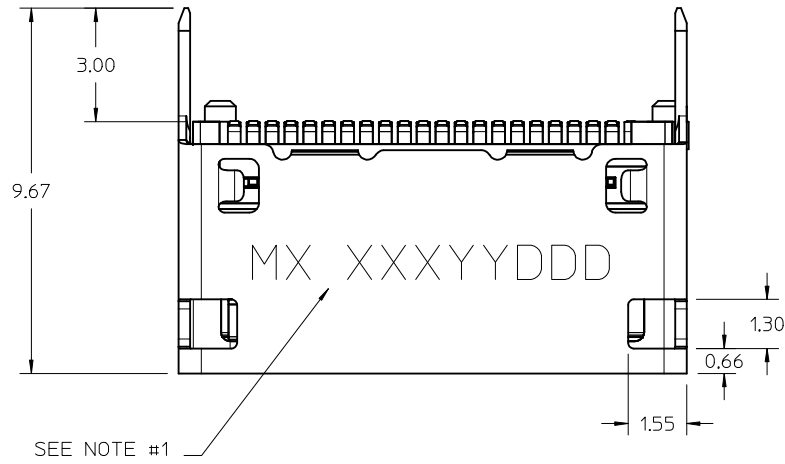
NOTES:

- MATERIALS:
HOUSING - GLASS FILLED THERMOPLASTIC, 94V-0
CONTACTS - HIGH PERFORMANCE COPPER ALLOY
SHIELD - STAINLESS STEEL
- FINISH:
CONTACTS - 0.76µm MIN. GOLD MATING SIDE
2.54µm TIN ON SOLDER TAILS
2.0µm MIN. NICKEL UNDERPLATE OVERALL

SHIELD - MATTE TIN OVER 1.27µm MIN. NICKEL
- PRODUCT SPECIFICATION: PS-171982-0001
- PACKAGING SPECIFICATION: PK-171982-9000
- MATES WITH: MOLEX CABLE SERIES 100436
PER INDUSTRY STANDARD PCIe OCuLink OR SFF-8612
- APPLICATION SPECIFICATION: AS-173162-0001
- COSMETIC SPECIFICATION: PS-173162-0001
- ASSEMBLY PART NUMBER AND DATE CODE TO BE LOCATED APPROXIMATELY AS SHOWN, DATE CODE TO SHOW THE DATE AND YEAR OF ASSEMBLY (DDYY OR YDDD)

UPDATED HD SHELL EC NO: UCP2016-3807 DRAWN: MJANTELEZIO 2015/12/02 CHKD: APPR: SMILLER 2016/04/04 REV DESCRIPTION	QUALITY SYMBOLS	GENERAL TOLERANCES (UNLESS SPECIFIED)	DIMENSION STYLE	SCALE	DESIGN UNITS	THIRD ANGLE PROJECTION
	▽=0	4 PLACES ±0.13	MM ONLY	8:1	METRIC	☉
	▽=0	3 PLACES ±0.13				
	▽=0	2 PLACES ±0.25				
		0 PLACE ±0.25				
		ANGULAR ±1/2°				
		DRAFT WHERE APPLICABLE MUST REMAIN WITHIN DIMENSIONS				
			DRAWN BY DATE	TITLE		
			MJANTELEZIO 2015/10/22	NANO PITCH I/O		
			CHECKED BY DATE	VERTICAL		
				PRE R1.0 - 16 GT/S		
			APPROVED BY DATE			
			MBANAKIS 2015/11/09			
			MATERIAL NO.	DOCUMENT NO.	SHEET NO.	
			SEE CHART	SD-171983-1000	1 OF 8	
			THIS DRAWING CONTAINS INFORMATION THAT IS PROPRIETARY TO MOLEX INCORPORATED AND SHOULD NOT BE USED WITHOUT WRITTEN PERMISSION			

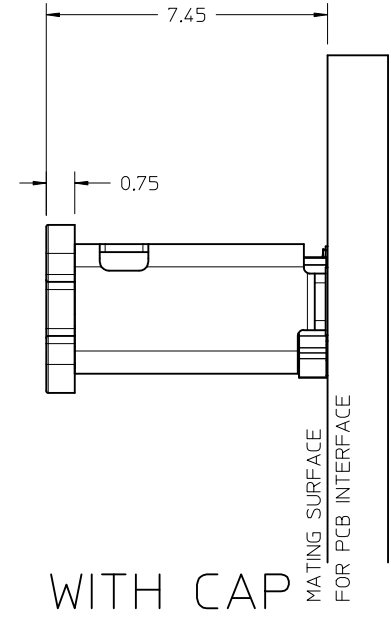
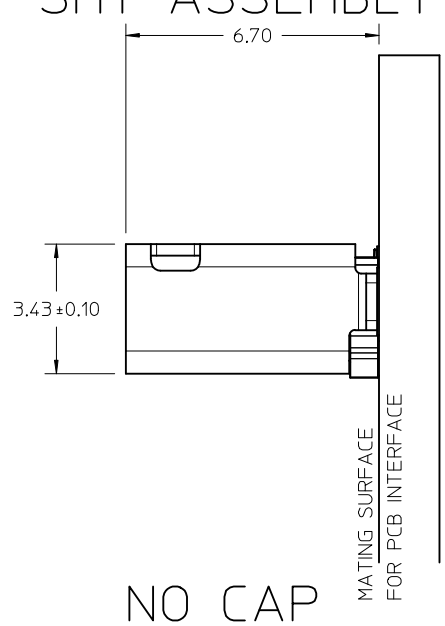
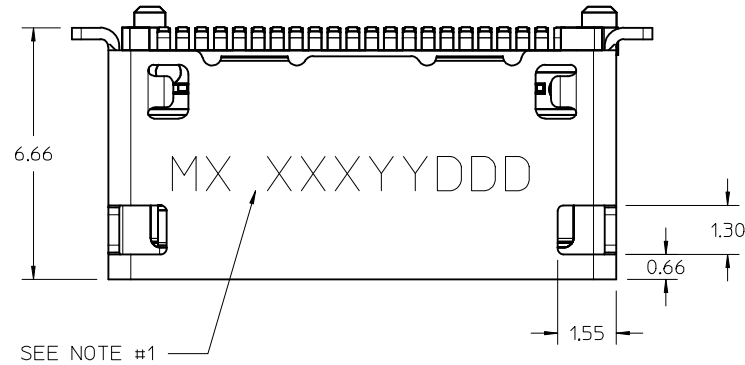
42 CIRCUIT TH ASSEMBLY



- NOTES:
 1. PLANT CODE, MANUFACTURED DATE CODE (JULIAN CALENDAR) AND PART NUMBER
 2. SOLDER TAIL COPLANARITY 0.10 MAX

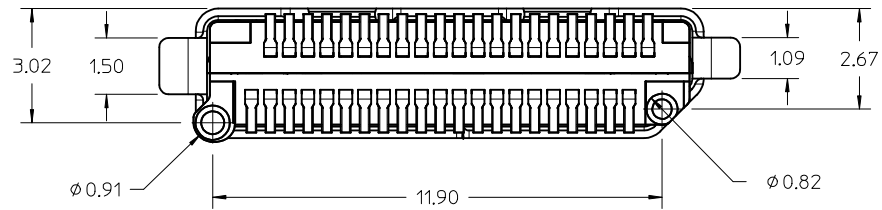
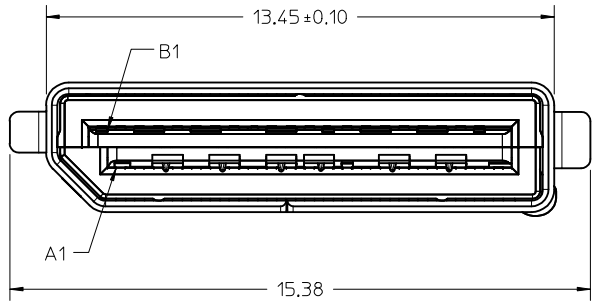
SEE SHEET 1 EC NO: UCP2016-3807 DRAWN: MJANTELEZIO 2015/12/02 CHKD: APPR: SMILLER 2016/04/04	QUALITY SYMBOLS ▽=0 ▽=0 ▽=0	GENERAL TOLERANCES (UNLESS SPECIFIED)		DIMENSION STYLE MM ONLY	SCALE 10:1	DESIGN UNITS METRIC	THIRD ANGLE PROJECTION			
		4 PLACES ± --- ± ---	3 PLACES ± --- ± ---	2 PLACES ± 0.13 ± ---	1 PLACE ± 0.25 ± ---	0 PLACE ± --- ± ---	ANGULAR ± 1/2°	DRAFT WHERE APPLICABLE MUST REMAIN WITHIN DIMENSIONS	DRAWN BY MJANTELEZIO	DATE 2015/10/22
					APPROVED BY MBANAKIS	DATE 2015/11/09	MATERIAL NO.	DOCUMENT NO. SD-171983-1000	SHEET NO. 2 OF 8	
					SEE SHEET 1					
THIS DRAWING CONTAINS INFORMATION THAT IS PROPRIETARY TO MOLEX INCORPORATED AND SHOULD NOT BE USED WITHOUT WRITTEN PERMISSION										

42 CIRCUIT SMT ASSEMBLY



NO CAP

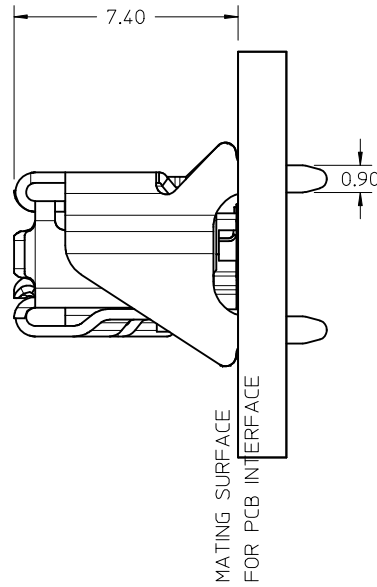
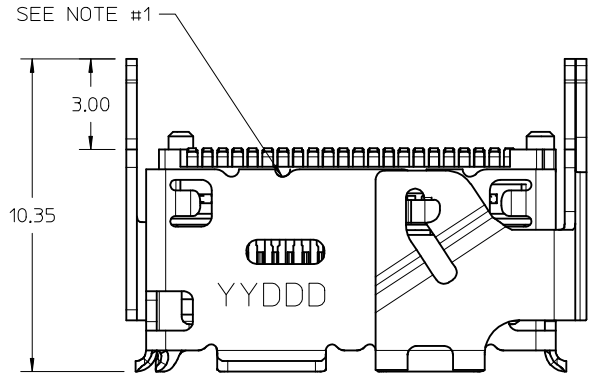
WITH CAP



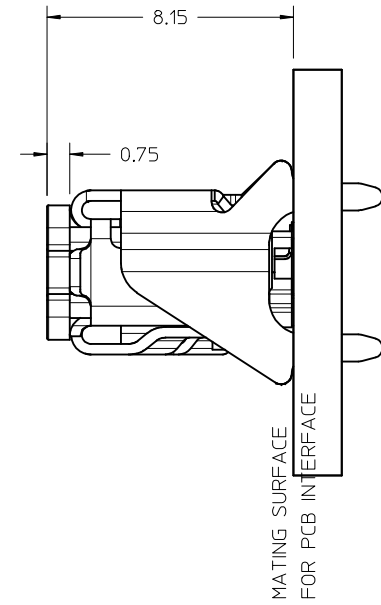
- NOTES:
 1. PLANT CODE, MANUFACTURED DATE CODE (JULIAN CALENDAR) AND PART NUMBER
 2. SOLDER TAIL COPLANARITY 0.10 MAX

SEE SHEET 1 EC NO: UCP2016-3807 DRAWN: MJANTELEZIO 2015/12/02 CHKD: APPR: SMILLER 2016/04/04	QUALITY SYMBOLS	GENERAL TOLERANCES (UNLESS SPECIFIED)	DIMENSION STYLE MM ONLY	SCALE 10:1	DESIGN UNITS METRIC	THIRD ANGLE PROJECTION
	▽=0	mm INCH	DRAWN BY DATE MJANTELEZIO 2015/10/22	TITLE NANO PITCH I/O VERTICAL PRE R1.0 - 16 GT/S		
	▽=0	4 PLACES ± --- ± ---	CHECKED BY DATE	molex		
	▽=0	3 PLACES ± --- ± ---	APPROVED BY DATE MBANAKIS 2015/11/09	DOCUMENT NO. SD-171983-1000	SHEET NO. 3 OF 8	
		ANGULAR ±1/2°	SEE SHEET 1	THIS DRAWING CONTAINS INFORMATION THAT IS PROPRIETARY TO MOLEX INCORPORATED AND SHOULD NOT BE USED WITHOUT WRITTEN PERMISSION		
		DRAFT WHERE APPLICABLE MUST REMAIN WITHIN DIMENSIONS				

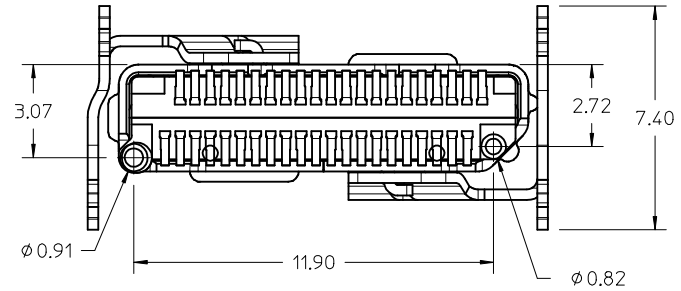
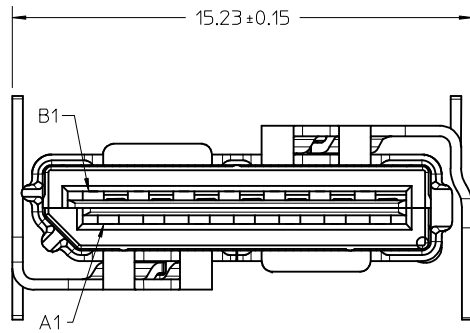
42 CIRCUIT HD ASSEMBLY



NO CAP

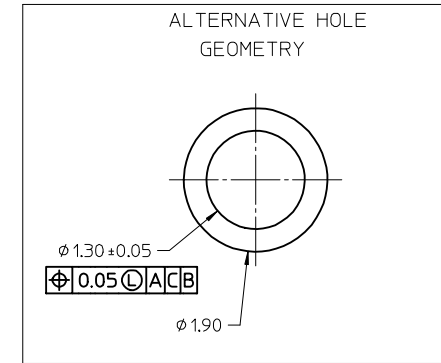
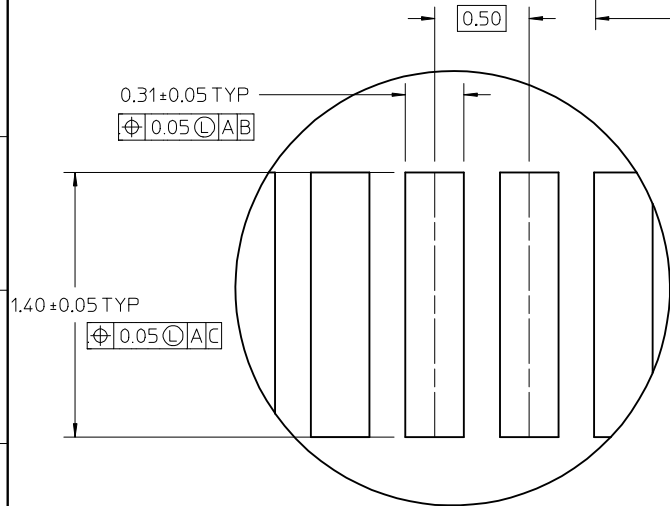
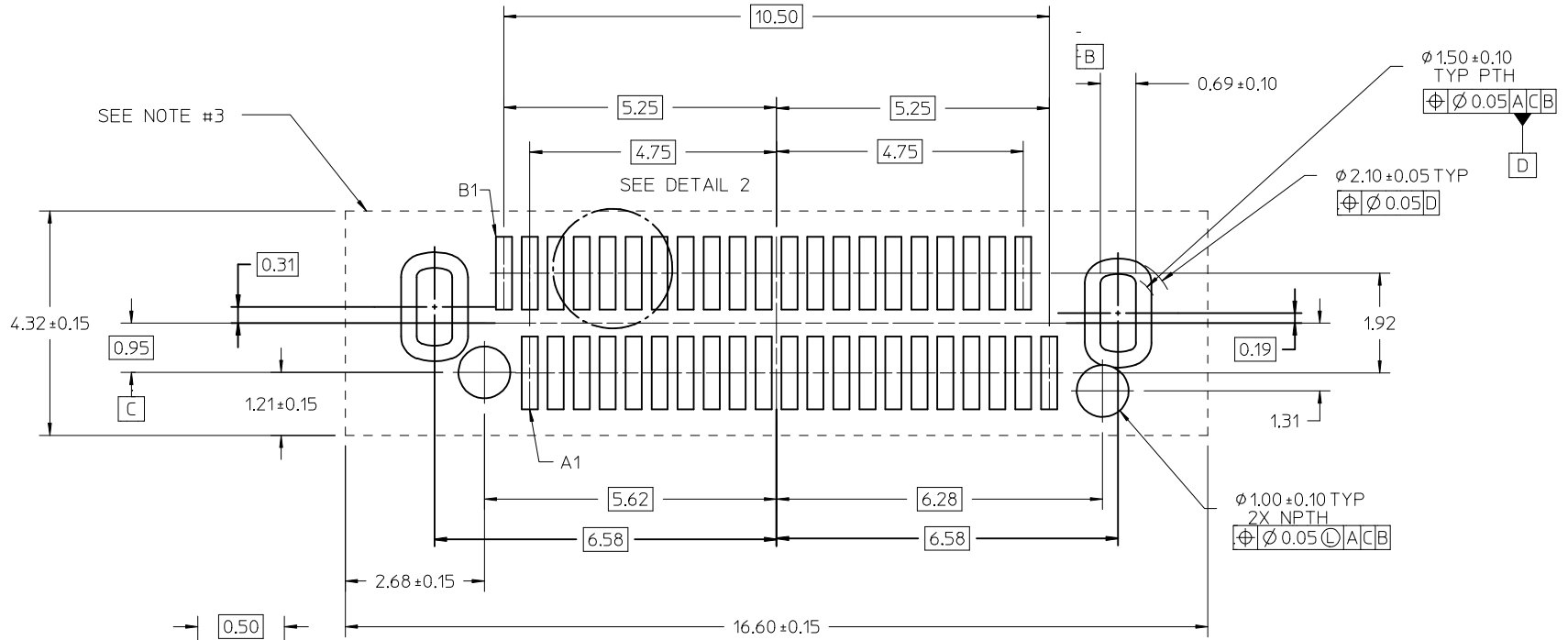


WITH CAP



SEE SHEET 1 EC NO: UCP2016-3807 DRAWN: MJANTELEZIO 2015/12/02 CHKD: APPR: SMILLER 2016/04/04	QUALITY SYMBOLS	GENERAL TOLERANCES (UNLESS SPECIFIED)		DIMENSION STYLE	SCALE	DESIGN UNITS	THIRD ANGLE PROJECTION
	▽=0	mm	INCH	MM ONLY	10:1	METRIC	
	▽=0	4 PLACES ± ---	± ---	DRAWN BY	DATE	TITLE	
	▽=0	3 PLACES ± ---	± ---	MJANTELEZIO	2015/10/22	NANO PITCH I/O VERTICAL PRE R1.0 - 16 GT/S	
		2 PLACES ±0.13	± ---	CHECKED BY	DATE	molex	
		1 PLACE ±0.25	± ---	APPROVED BY	DATE	DOCUMENT NO.	SHEET NO.
		0 PLACE ± ---	± ---	MBANAKIS	2015/11/09	SD-171983-1000	4 OF 8
		ANGULAR ±1/2°		MATERIAL NO.		SEE SHEET 1	
		DRAFT WHERE APPLICABLE MUST REMAIN WITHIN DIMENSIONS		SIZE		THIS DRAWING CONTAINS INFORMATION THAT IS PROPRIETARY TO MOLEX INCORPORATED AND SHOULD NOT BE USED WITHOUT WRITTEN PERMISSION	

42 CIRCUIT TAIL RECOMMENDED FOOTPRINT

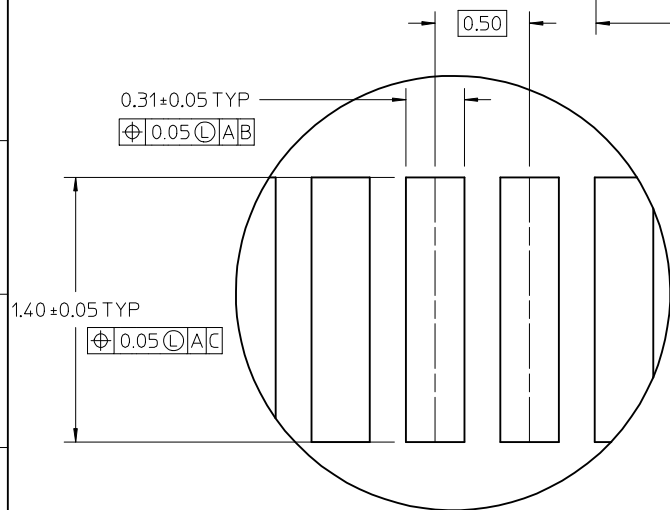
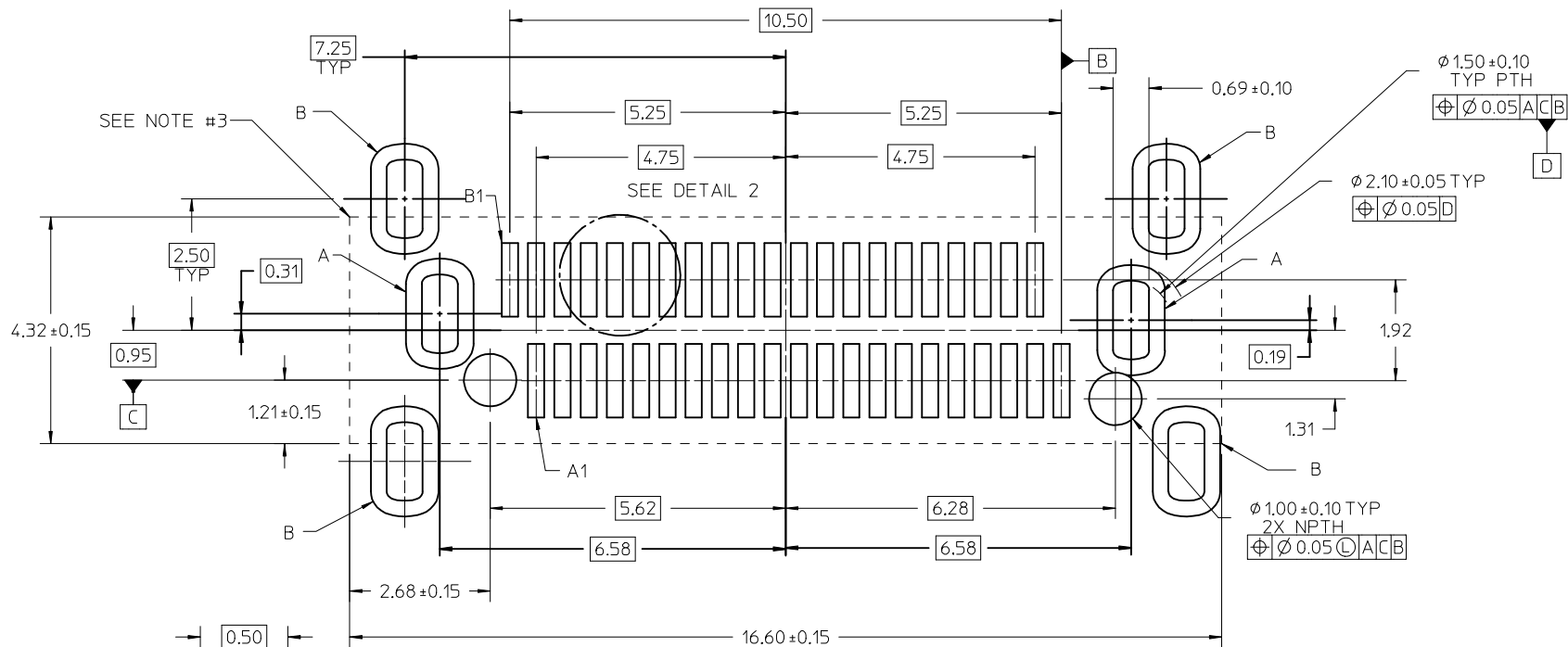


- NOTES:
1. MINIMUM RECOMMENDED SPACING IS 17.25mm
 2. MINIMUM RECOMMENDED PCB THICKNESS: 1.57mm
 3. CONNECTOR KEEP OUT AREA
 4. DATUM -A- ESTABLISHED FROM TOP SURFACE OF PCB

DETAIL 2
SCALE 50:1

SEE SHEET 1 EC NO: UCP2016-3807 DRAWN: JANTELEZIO 2015/12/02 CHKD: APPR: MILLER 2016/04/04	QUALITY SYMBOLS ▽=0 ▽=0 ▽=0	GENERAL TOLERANCES (UNLESS SPECIFIED)		DIMENSION STYLE MM ONLY	SCALE 10:1	DESIGN UNITS METRIC	THIRD ANGLE PROJECTION		
		4 PLACES ± --- ± --- 3 PLACES ± --- ± --- 2 PLACES ± 0.13 ± --- 1 PLACE ± 0.25 ± --- 0 PLACE ± --- ± ---	mm INCH	DRAWN BY DATE MJANTELEZIO 2015/10/22	CHECKED BY DATE	TITLE NANO PITCH I/O VERTICAL PRE R1.0 - 16 GT/S			
		ANGULAR ±1/2°		APPROVED BY DATE MBANAKIS 2015/11/09	MATERIAL NO.		DOCUMENT NO. SD-171983-1000		SHEET NO. 5 OF 8
		DRAFT WHERE APPLICABLE MUST REMAIN WITHIN DIMENSIONS		SEE SHEET 1		THIS DRAWING CONTAINS INFORMATION THAT IS PROPRIETARY TO MOLEX INCORPORATED AND SHOULD NOT BE USED WITHOUT WRITTEN PERMISSION			

42 CIRCUIT COMMON TAIL/HD RECOMMENDED FOOTPRINT



DETAIL 2
SCALE 50:1

NOTES:

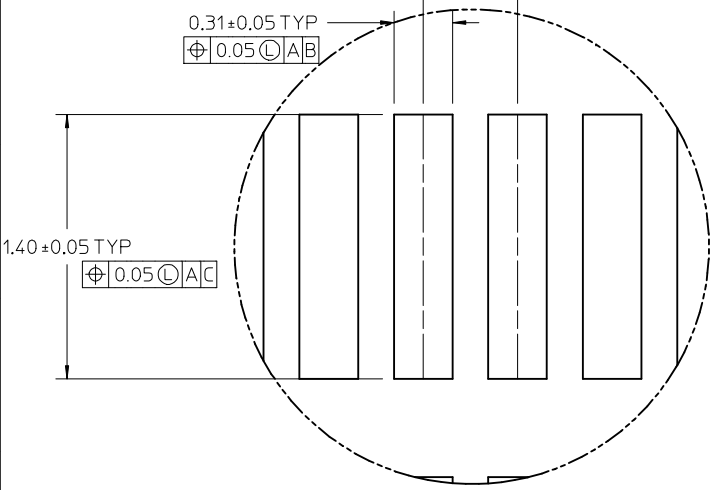
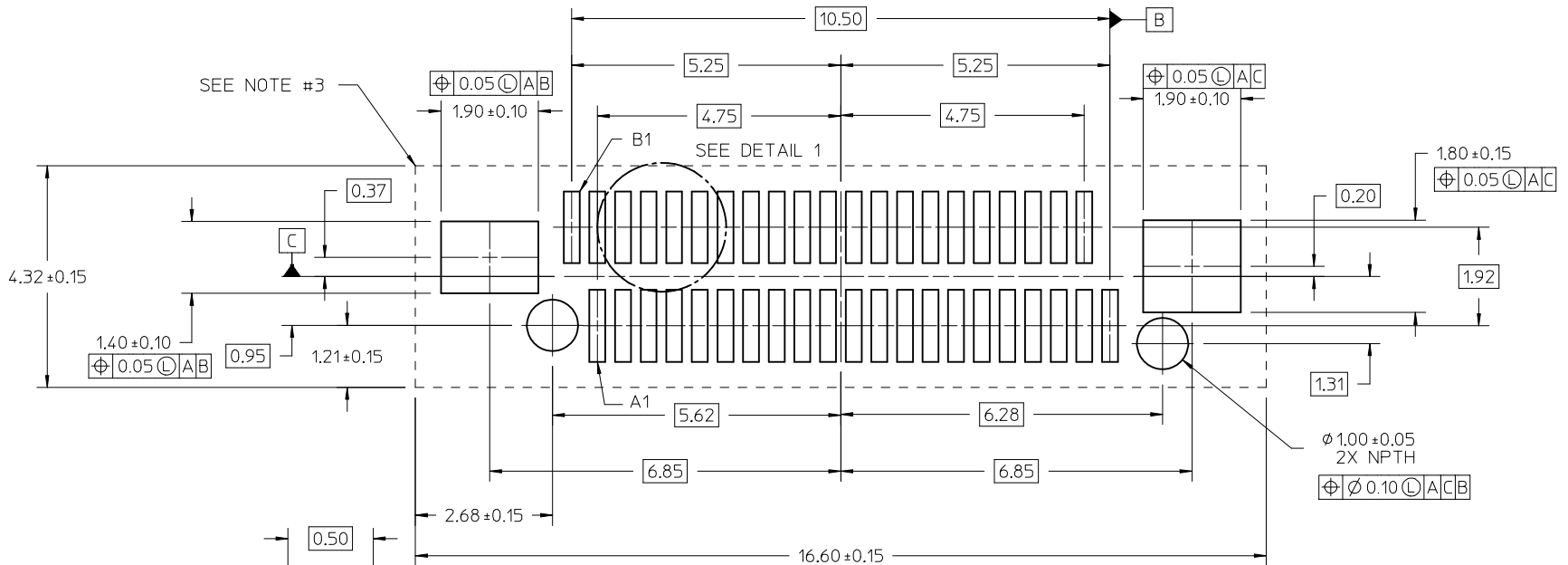
1. MINIMUM RECOMMENDED SPACING IS 17.25mm
2. MINIMUM RECOMMENDED PCB THICKNESS: 1.57mm
3. CONNECTOR KEEP OUT AREA
4. DATUM -A- ESTABLISHED FROM TOP SURFACE OF PCB

DESIGN PATTERNS

A = THRU HOLE
B = HD SHELL

SEE SHEET 1 EC NO: UCP2016-3807 DRAWN: MJANTELEZIO 2015/12/02 CHKD: APPR: SMILLER 2016/04/04	QUALITY SYMBOLS	GENERAL TOLERANCES (UNLESS SPECIFIED)		DIMENSION STYLE	SCALE	DESIGN UNITS	THIRD ANGLE PROJECTION
	▽=0	mm	INCH	MM ONLY	15:1	METRIC	
	▽=0	4 PLACES ± ---	± ---	DRAWN BY	DATE	TITLE	
	▽=0	3 PLACES ± ---	± ---	MJANTELEZIO	2015/10/22	NANO PITCH I/O VERTICAL PRE R1.0 - 16 GT/S	
		2 PLACES ± 0.13	± ---	CHECKED BY	DATE		
		1 PLACE ± 0.25	± ---	APPROVED BY	DATE	DOCUMENT NO.	SHEET NO.
		0 PLACE ± ---	± ---	MBANAKIS	2015/11/09	SD-171983-1000	6 OF 8
		ANGULAR ±1/2°		MATERIAL NO.		THIS DRAWING CONTAINS INFORMATION THAT IS PROPRIETARY TO MOLEX INCORPORATED AND SHOULD NOT BE USED WITHOUT WRITTEN PERMISSION	
		DRAFT WHERE APPLICABLE MUST REMAIN WITHIN DIMENSIONS		SEE SHEET 1			

42 CIRCUIT SMT RECOMMENDED FOOTPRINT

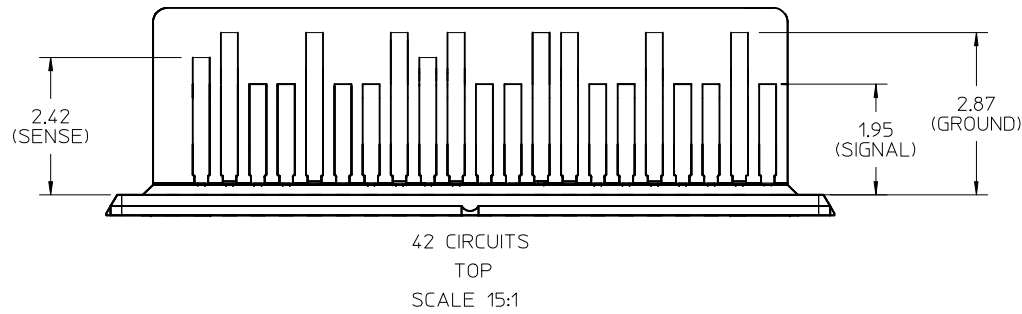
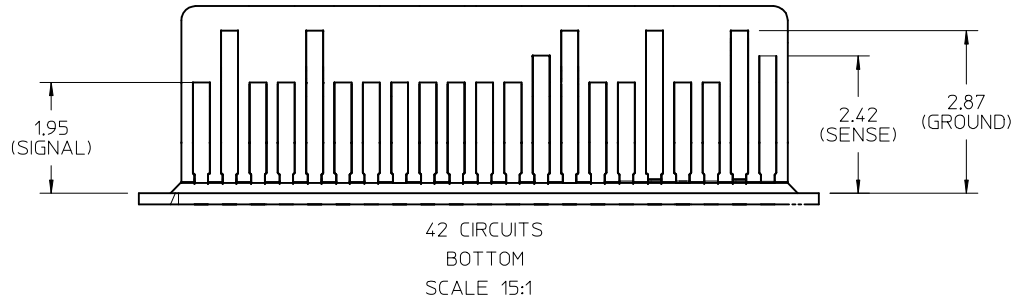


DETAIL 1
SCALE 50:1

- NOTES:
1. MINIMUM RECOMMENDED SPACING IS 17.25mm
 2. MINIMUM RECOMMENDED PCB THICKNESS: 1.57mm
 3. CONNECTOR KEEP OUT AREA
 4. DATUM -A- ESTABLISHED FROM TOP SURFACE OF PCB

SEE SHEET 1 EC NO: UCP2016-3807 DRAWN: MJANTELEZIO 2015/12/02 CHKD: APPR: SMILLER 2016/04/04	QUALITY SYMBOLS	GENERAL TOLERANCES (UNLESS SPECIFIED)		DIMENSION STYLE	SCALE	DESIGN UNITS	THIRD ANGLE PROJECTION
	▽=0	mm	INCH	MM ONLY	15:1	METRIC	
	▽=0	4 PLACES ± --- ± ---			DRAWN BY	DATE	TITLE
	▽=0	3 PLACES ± --- ± ---			MJANTELEZIO	2015/10/22	NANO PITCH I/O VERTICAL PRE R1.0 - 16 GT/S
		2 PLACES ± 0.13 ± ---		CHECKED BY	DATE		
		1 PLACE ± 0.25 ± ---		APPROVED BY	DATE		
		0 PLACE ± --- ± ---		MBANAKIS	2015/11/09		
		ANGULAR ±1/2°		MATERIAL NO.		DOCUMENT NO.	SHEET NO.
		DRAFT WHERE APPLICABLE MUST REMAIN WITHIN DIMENSIONS		SEE SHEET 1		SD-171983-1000	7 OF 8
				SIZE	THIS DRAWING CONTAINS INFORMATION THAT IS PROPRIETARY TO MOLEX INCORPORATED AND SHOULD NOT BE USED WITHOUT WRITTEN PERMISSION		

INTERFACE PATTERN



ADDED VIEWS EC NO: UCP2016-3807 DRWN: MJANTELEZIO 2015/12/02 CHKD: APPR: SMILLER 2016/04/04	QUALITY SYMBOLS	GENERAL TOLERANCES (UNLESS SPECIFIED)		DIMENSION STYLE MM ONLY	SCALE 15:1	DESIGN UNITS METRIC	THIRD ANGLE PROJECTION
	▽=0	mm	INCH	DRAWN BY DATE MJANTELEZIO 2015/10/22	TITLE NANO PITCH I/O VERTICAL PRE R1.0 - 16 GT/S		
	▽=0	4 PLACES ± ---	± ---	CHECKED BY DATE			
	▽=0	ANGULAR ±1/2°		APPROVED BY DATE MBANAKIS 2015/11/09	molex DOCUMENT NO. SD-171983-1000 SHEET NO. 8 OF 8		
▽=0	DRAFT WHERE APPLICABLE MUST REMAIN WITHIN DIMENSIONS		MATERIAL NO. SEE SHEET 1				
SIZE	THIS DRAWING CONTAINS INFORMATION THAT IS PROPRIETARY TO MOLEX INCORPORATED AND SHOULD NOT BE USED WITHOUT WRITTEN PERMISSION						