

Switchcraft®

[Previous Page](#) | [Return to Index](#) | [Next Page](#)



DIN PLUGS AND RECEPTACLES

- 1. STRAIGHT CORD PLUG with Extended Barrel**
- 2. RIGHT-ANGLE CORD PLUG with 8 Position Barrel and 30° Lockring**
- 3. RIGHT-ANGLE CORD PLUG with 8 Position Barrel (05DL5M shown)**

[click here to download a schematic drawing](#)

(you will need to have Adobe Acrobat installed on your system to do this)



STRAIGHT CORD PLUG with Extended Barrel

Type 12BL6M - typical Male plug with ground key-rib. Nickel-plated diecast handle. Contact friction coupling. Flexible black strain relief. Heavy duty cable clamp.

ORDERING INFORMATION

Part Number	Description	Pin Arrangement
⌀03BL2M	2 pins with insulated switch actuator	1
05BL3M	3 pins at 180°	2
05BL5M	5 pins at 180°	5
09BL4M	4 pins at 210°	3
12BL5M	5 pins at 240°	4
12BL6M	6 pins at 240°	6
⌀15BL7M	7 pins at 270°	7
⌀15BL8M	8 pins at 270°	8

RIGHT-ANGLE CORD PLUG with 8 Position Barrel and 30° Lockring

Type 05YL5M - typical Right-angle chassis hugging, male plug with flexible strain relief. Unique 8-position barrel gives you a choice of any one of eight different cable entry angles. ground key rib 30; turn lockring securely fastens two halves of connector.

ORDERING INFORMATION

Part Number	Description	Pin Arrangement
⌀05YL3M	3 pins at 180°	2
⌀05YL5M	5 pins at 180°	5
⌀09YL4M	4 pins at 210°	3
⌀12YL5M	5 pins at 240°	4

RIGHT-ANGLE CORD PLUG with 8 Position Barrel

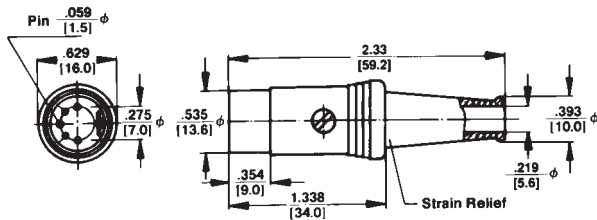
Type 05DL5M - typical Right-angle chassis hugging, male plug with flexible black rubber strain relief. Unique 8-position barrel offers a choice of eight different cable entry angles.

ORDERING INFORMATION

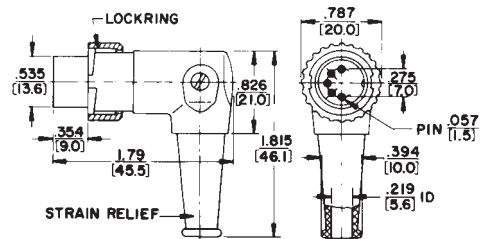
Part Number	Description	Pin Arrangement
-------------	-------------	-----------------

DIN PLUGS AND RECEPTACLES

STRAIGHT CORD PLUG with Extended Barrel



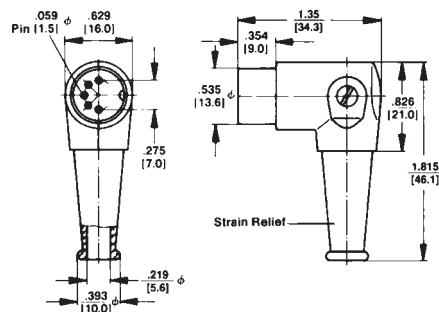
RIGHT-ANGLE CORD PLUG with 8 Position Barrel and 30° Locking



RIGHT-ANGLE CORD PLUG with 8 Position Barrel



05DL5M shown



DIMENSIONS ARE FOR REFERENCE ONLY $\frac{\text{Inch}}{\text{(mm)}}$

NOTE: Contact your Switchcraft Representative for price and delivery.