



U.S. Tsubaki Power Transmission, LLC

301 E. Marquardt Dr.

Wheeling, IL 60090

Phone: 847.459.9500 or 800.323.7790

Fax: 847.459.9515

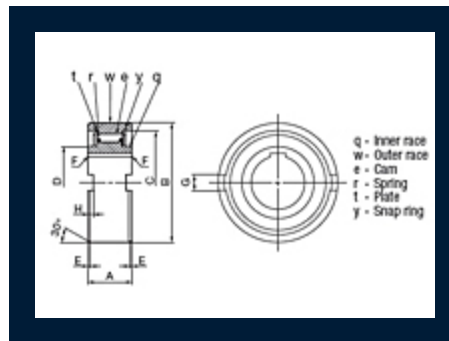
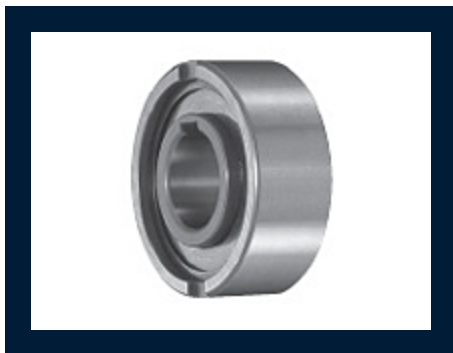
Email: sales@ustsubaki.com

Website: www.ustsubaki.com

ITEM # TFS60, TFS-60 MM BORE CAM CLUTCH

TFS Series Cam Clutch is a sprag type clutch designed for press fit installation. Sprag type designs typically have a higher torque capacity than a similarly sized ramp & roller type clutch. TFS has two vertical keyways on the outer race to assist with locating. Outside dimensions are the same as Series 63 ball bearings. This design is ideal for general inner or outer race overrunning applications. Since the TFS Series does not include an integral bearing, installing the TFS Cam Clutch next

[more](#)



Specifications

Bore Size	2.362 in 60.00 mm
Torque Capacity	1456.7 lb·ft 1975.0 N·m
Max. Overrunning Inner Race	840 rpm
Max. Overrunning Outer Race	420 rpm

Drag Torque	0.642 lb·ft 0.87 N·m
Keyway	18 x 2.3 mm
A (Overall Width)	1.811 in 46.00 mm
B (Overall Diameter)	5.118 in 130.00 mm
C (Outer Race I.D.)	4.331 in 110.00 mm
D (Inner Race I.D.)	3.307 in 84.00 mm
E (Chamfer)	0.102 in 2.60 mm
F (Chamfer)	0.059 in 1.50 mm
G (Slot Width)	0.709 in 18.00 mm
H (Slot Depth)	0.217 in 0.22 mm
Weight	6.842 lb 3.110 kg