

Features

- Strong, durable and corrosion resistant stainless steel construction
- Rotate the lever through 90 degrees to engage or disengage the plunger.

RS PRO Index Plunger with Lever, Stainless Steel, M12, 8mm Plunger

RS Stock No.: 0761210



RS Professionally Approved Products bring to you professional quality parts across all product categories. Our product range has been tested by engineers and provides a comparable quality to the leading brands without paying a premium price.

Product Description

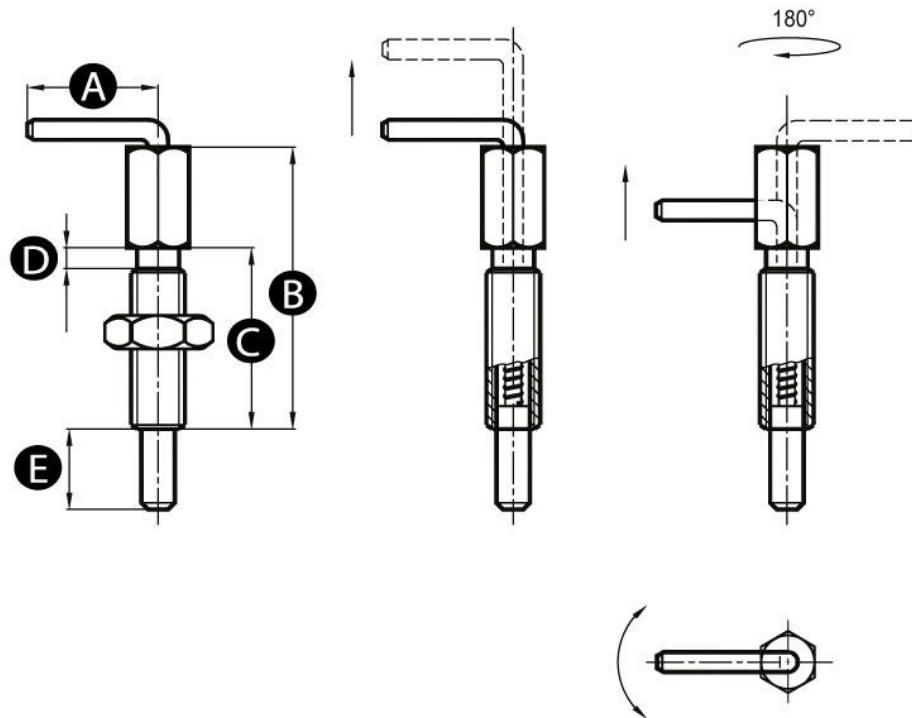
A strong, durable index plunger with a lever. Rotate the lever through 90 degrees to engage or disengage the plunger. Ideally suited to various types of work holding, and positioning applications.

General Specifications

Type	Index plunger
Body material	Stainless steel
Thread size	M12
Plunger diameter	8mm
Rest position	No
Colour	Silver
Application	Ideal for applications requiring precision positioning, clamping adjustable elements, positioning work pieces, and latching mechanisms

Mechanical Specifications

A	32
B	54
C	31.8
D	4.3
E	19
Thread size	M12
Plunger diameter	8



Similar Products

Stock No.	Brand	Product Name	Length	Opening Angle
	RS PRO			
	RS PRO			
	RS PRO			
	RS PRO			