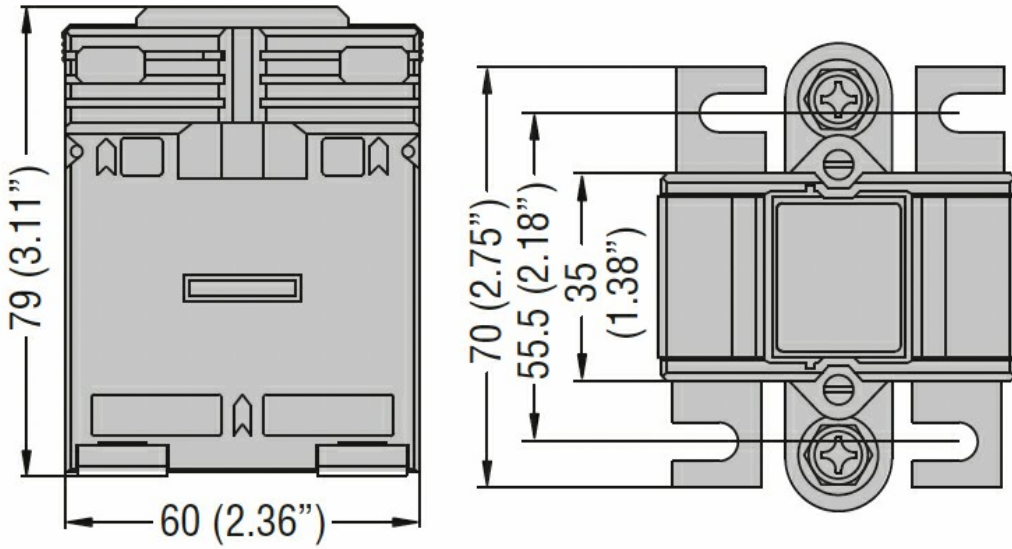




Product designation	Current transformers		
Product type designation	DM0TW0010		
Type of CT	Wound primary		
Current inputs			
Primary current I _{pn} (/5)	A	10	
Operational frequency	min	Hz	50
	max	Hz	60
Secondary output current	A	5	
Overload withstand I _{pn}	%	120	
Burden	cl. 0.5	VA	1.5
	cl. 1	VA	2.5
Insulations			
IEC rated short-time thermal current I _{th}	I _{th} for s	40...60	
IEC rated dynamic current I _{dyn}	I _{th} for s	2.5	
Insulation dry type	Class E		
Mechanical features			
Terminals type	Screw		
Fixing	DIN rail or by Screw		
Weight	g	301	
Ambient conditions			
Temperature	Operating temperature	min	°C -25
		max	°C +50
Storage temperature		min	°C -40
		max	°C +80
Relative humidity	%	90	
Protection degree	IP30		
Dimensions			



Certifications and compliance

Certifications

IEC/EN/BS 61869-1

IEC/EN/BS 61869-2

Compliance

CE

EAC

UKCA

ETIM classification

EC000066 - Power contactor, AC switching