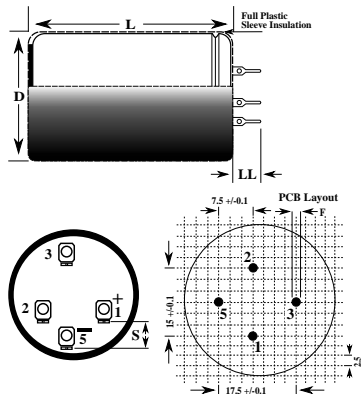


**KEMET Part Number: ALP20A222BB063** Not for New Design  
(A621DG222Q063AV544)

ALP20, Aluminum Electrolytic, 2,200 uF, -10/+30%, 63 VDC, -40/+85°C



General Information	
Supplier:	KEMET
Series:	ALP20
Dielectric:	Aluminum Electrolytic
Description:	Solder Pin, Aluminum Electrolytic
Features:	Solder Pin
RoHS:	Yes
Lead:	4 Pin Solder
AEC-Q200:	No
Notes:	Dimensions D And L Include Sleaving
Shelf Life:	156 Weeks

Dimensions	
D	30mm +/-1mm
L	45mm +/-2mm
S	7.5mm +/-0.1mm
LL	7.5mm +/-0.5mm
F	1.3mm

Specifications	
Capacitance:	2,200 uF
Capacitance Tolerance:	-10/+30%
Voltage DC:	63 VDC, 72.45 VDC (Surge)
Temperature Range:	-40/+85°C
Rated Temperature:	85°C
Life:	15000 Hrs
Leakage Current:	832 uA (5min 20°C)

Packaging Specifications	
Weight:	50 g
Sleaving:	Yes
Packaging:	Bulk, Bag