

DRAWING MADE IN THIRD ANGLE PROJECTION

3

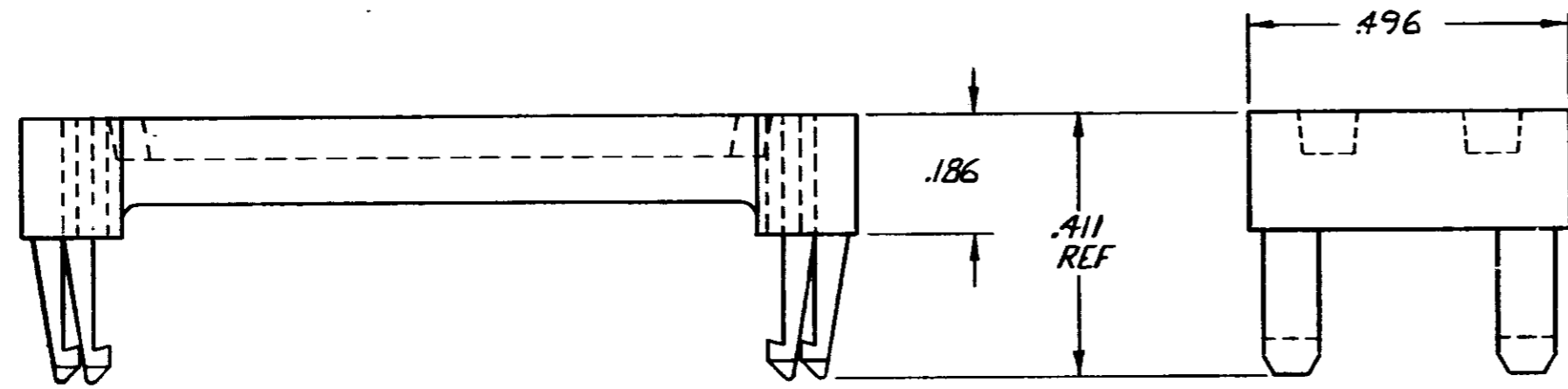
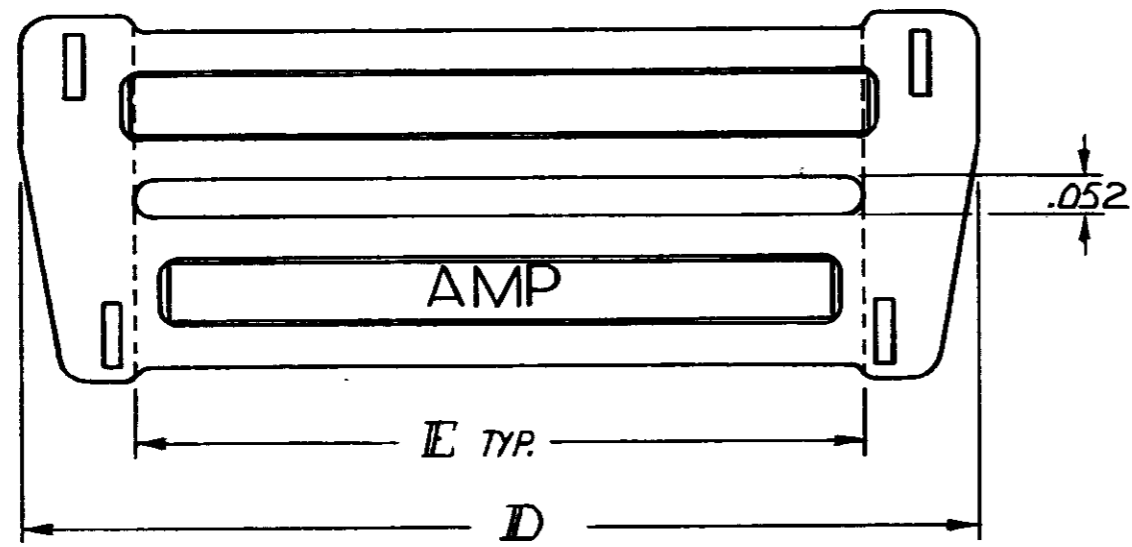
2

1

MOD	LOC	DIST
3	BD	16

THIS DRAWING IS UNPUBLISHED. RELEASED FOR PUBLICATION, 19  
 © COPYRIGHT 19 BY AMP INCORPORATED, HARRISBURG, PA. ALL INTERNATIONAL RIGHTS RESERVED. AMP PRODUCTS MAY BE COVERED BY U.S. AND FOREIGN PATENTS AND/OR PATENTS PENDING.

REVISIONS						
P	F	ZONE	LTR	DESCRIPTION	DATE	APPROVED
0	✓		0	REL.		
1	✓		A	REV. PER ECN 0094	JP 6/15/84	WSP
2	✓		A	REV. PER ECN-0509	WE 2/26/84	
3	✓		B	OBS - 5 ECN BD5014	5-20-84	WIK



OBSOLETE	.980	1.287	19	747275-5
	1.880	2.275	37	-1
	1.280	1.623	25	-2
	.780	1.087	15	-3
	.480	.759	9	747275-4
	E	D	NO. OF POS.	PART NO

UNLESS OTHERWISE SPECIFIED DIMENSIONS ARE IN INCHES. TOLERANCES ON: DECIMALS ±.005 ANGLES ±	CONTRACT NO	<b>AMP</b>   AMP INCORPORATED Harrisburg, Pa. 17105		
	DR <i>J. C. Zilko</i> 8/25/83			
MATERIAL FLAME RETARDANT THERMOPLASTIC; COLOR: BLACK 94V-0 RATED	CHK'D <i>J. S. ...</i> 8-25-83	NAME  STRAIN RELIEF, LOW PROFILE HDF		
	APPROV'D <i>J. S. ...</i> 8-25-83			
FINISH	APPD <i>J. S. ...</i> 7-29-83	SIZE <b>C</b>	FSCM NO <b>00779</b>	DRAWING NO <b>747275</b>
	OTHER APPD	SCALE	SHEET	

747275