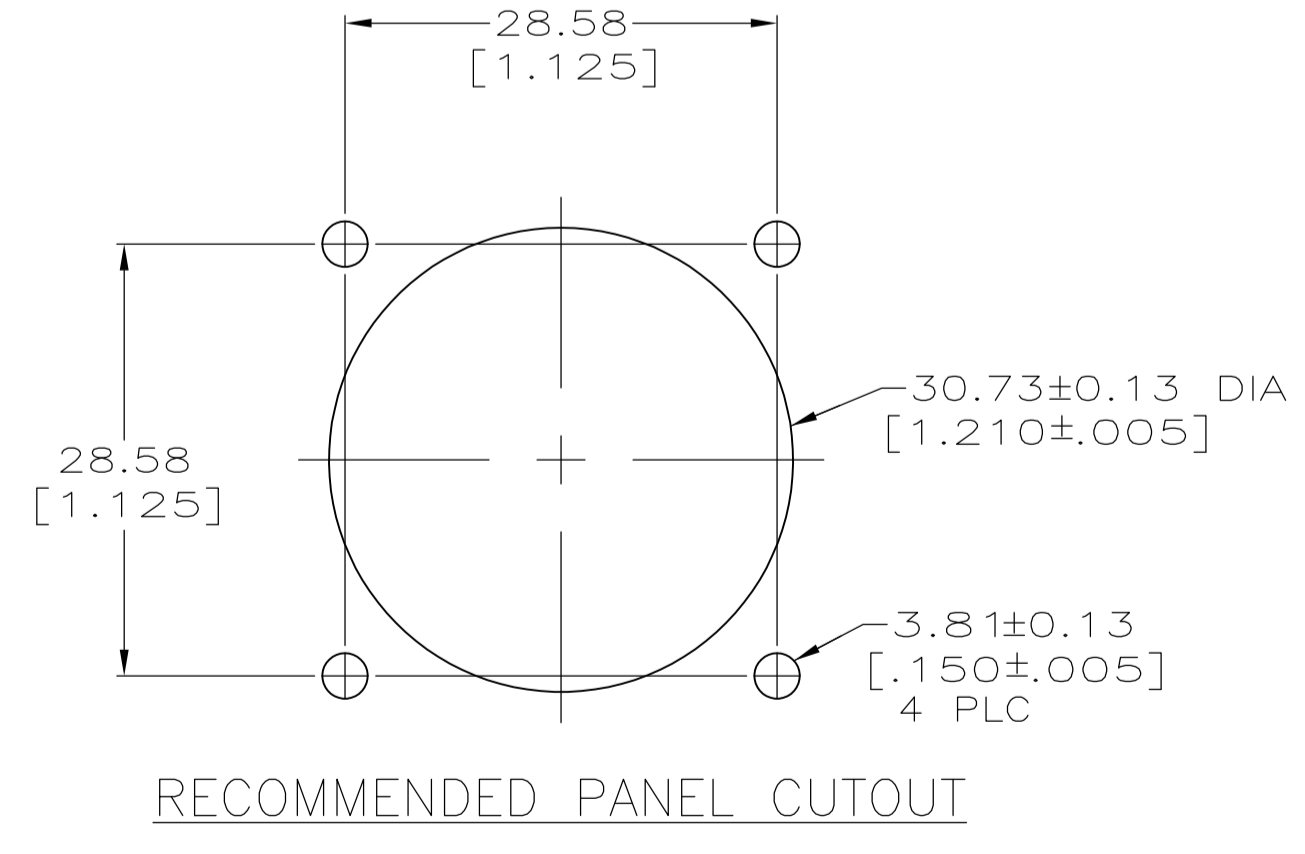
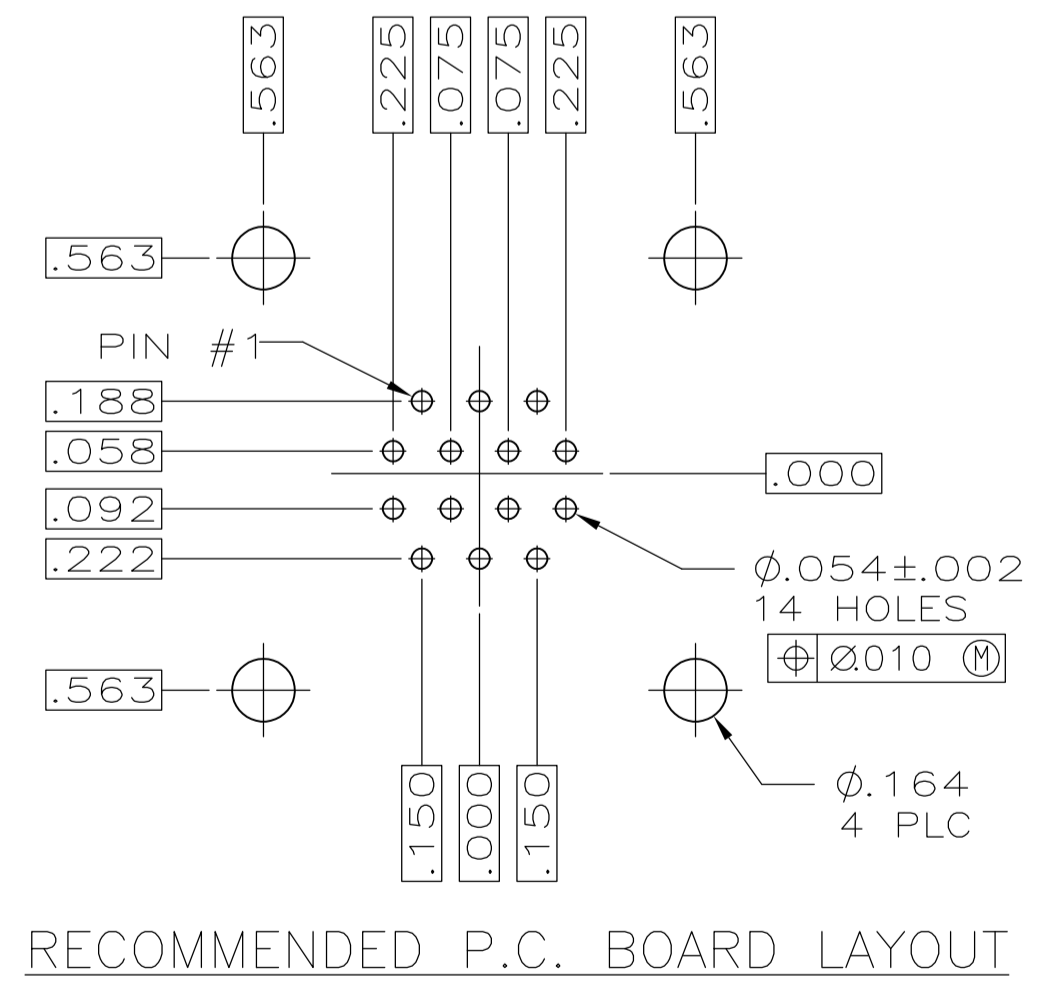
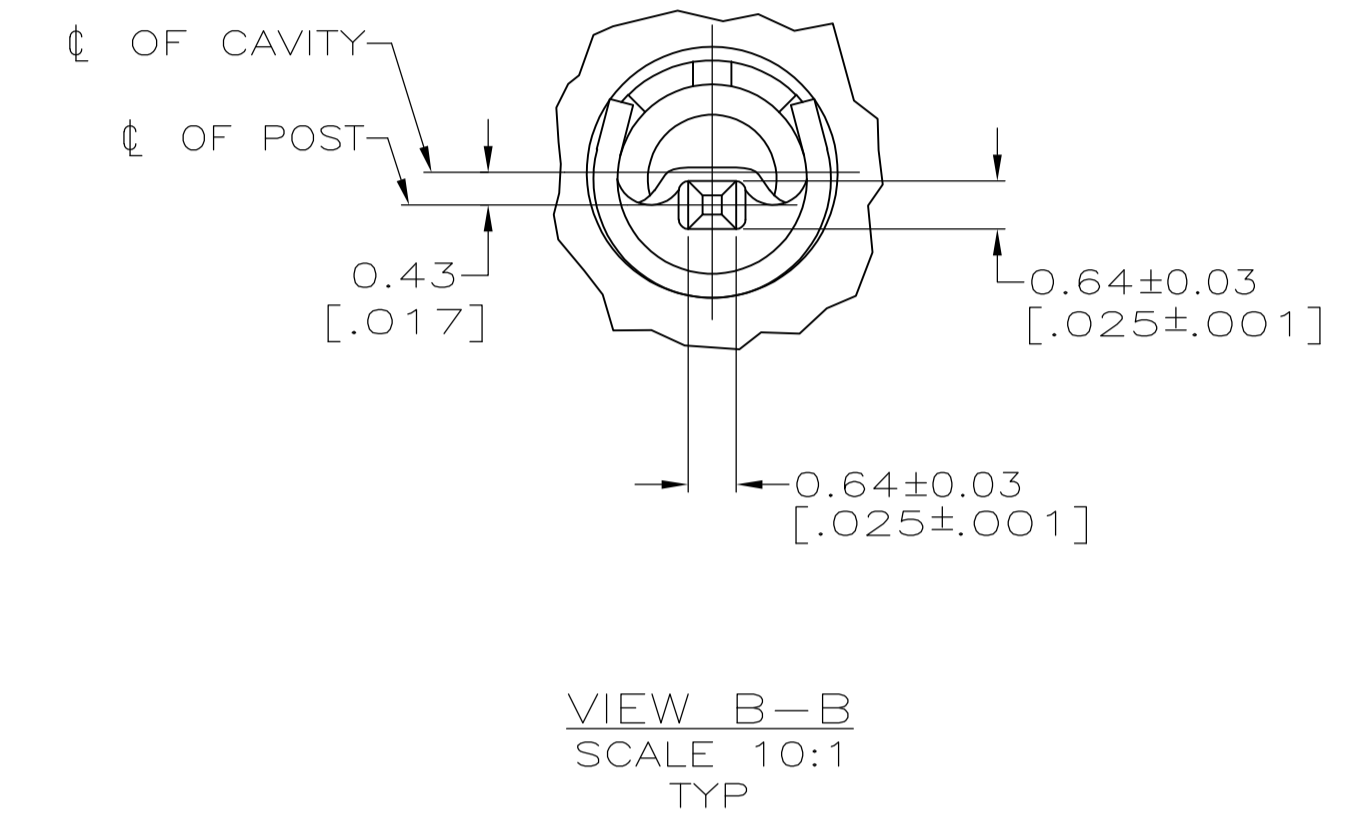
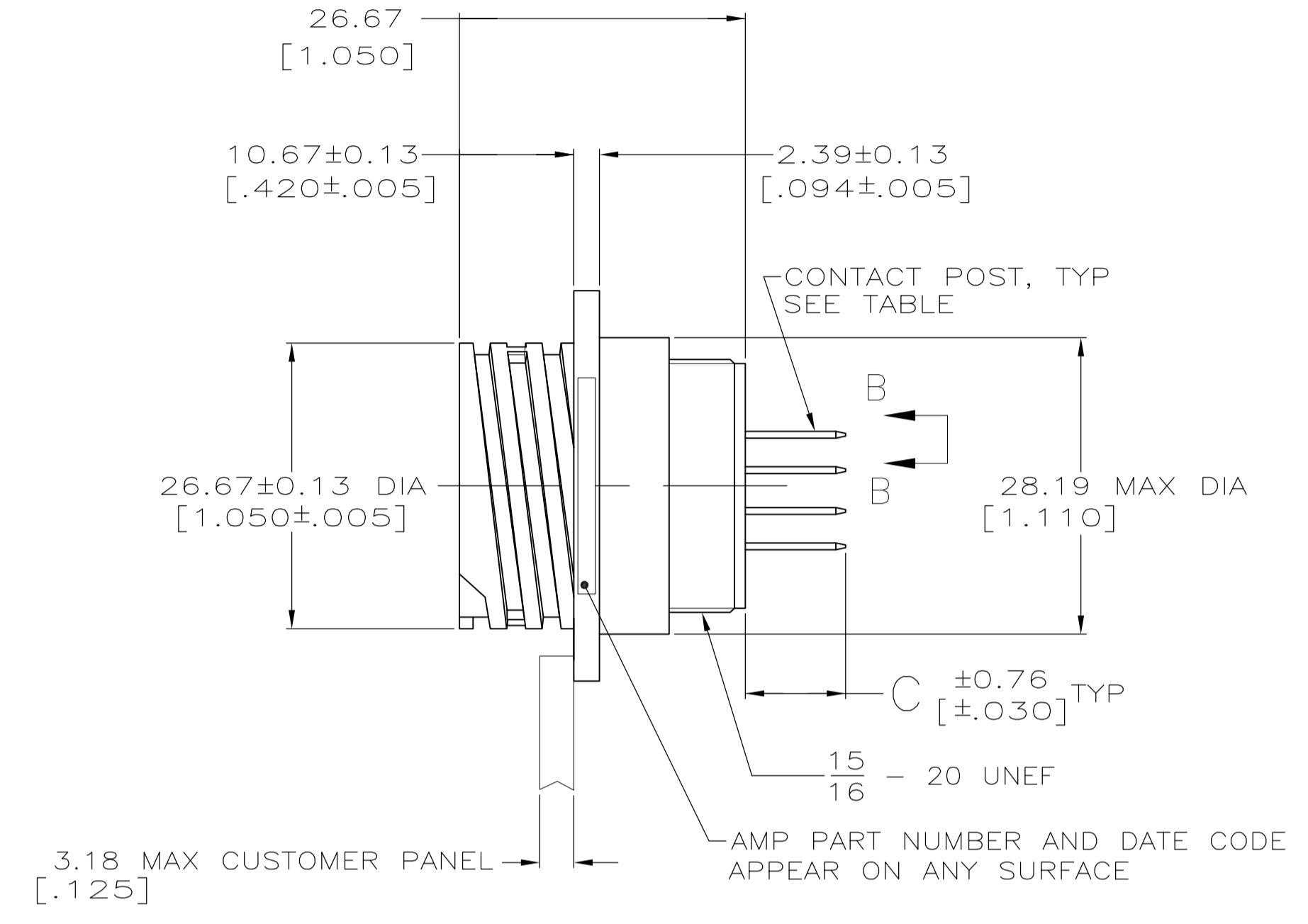
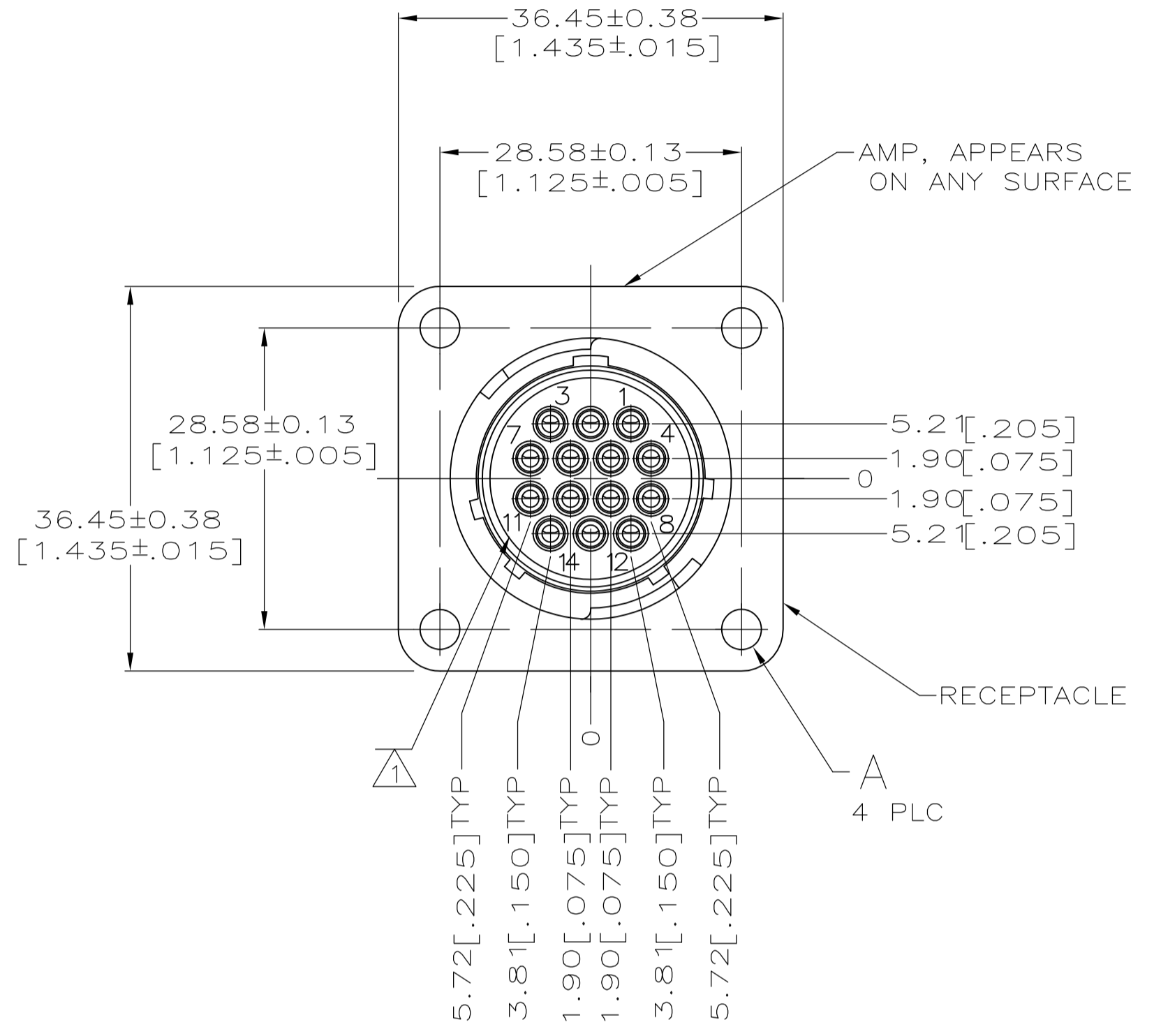


LOC	DIST	REVISIONS			
F	LTR	DESCRIPTION	DATE	DWN	APVD
F1		REVISED PER ECO-05-12324	10/26/05	SS	SH
F2		REVISED PER ECO-09-021826	07JAN10	KK	AEG



- ⚠ CAVITY IDENTIFICATION CHARACTERS ON FRONT AND REAR FACE.
- ⚠ NYLON, UL 94V-0 RATED, BLACK.
- ⚠ CONTACT BODY: 0.76um[.000030] MIN GOLD FOR LENGTH OF 5.08[.200] MIN FROM MATING END, WITH REMAINDER TO BE GOLD FLASH, BOTH OVER 1.27um[.000050] MIN NICKEL. CONTACT POST: 2.54um[.000100] MIN TIN-LEAD OVER 2.54um[.000100] MIN COPPER.
- ⚠ CONTACT BODY: 2.54um[.000100] MIN TIN-LEAD OVER 1.27um[.000050] MIN NICKEL. CONTACT POST: 2.54um[.000100] MIN TIN-LEAD OVER 2.54um[.000100] MIN COPPER.
- ⚠ CONTACT BODY: 0.76um[.000030] MIN GOLD FOR LENGTH OF 5.08[.200] MIN FROM MATING END, WITH REMAINDER TO BE GOLD FLASH, BOTH OVER 1.27um[.000050] MIN NICKEL. CONTACT POST: 2.54um[.000100] MIN TIN OVER 2.54um[.000100] MIN COPPER.
- ⚠ CONTACT BODY: 2.54um[.000100] MIN TIN OVER 1.27um[.000050] MIN NICKEL. CONTACT POST: 2.54um[.000100] MIN TIN OVER 2.54um[.000100] MIN COPPER.
- ⚠ PRELIMINARY PART NUMBER.
- ⚠ OBSOLETE PARTS: OBSOLETE CIS STREAMLINING PER D.RENAUD/D.SINISI

9.35 [.368]	3.81±0.08 [.150±.003] DIA	⚠ 5	213729-9
⚠ OBSOLETE 4.04 [.159]	4-40UNC, INSERT, BRASS	⚠ 6	213729-8
⚠ OBSOLETE 9.35 [.368]	3.81±0.08 [.150±.003] DIA	⚠ 6	213729-7
9.35 [.368]	4-40UNC, INSERT, BRASS	⚠ 5	213729-6
⚠ OBSOLETE 4.04 [.159]	3.81±0.08 [.150±.003] DIA	⚠ 4	213729-5
⚠ OBSOLETE 4.04 [.159]	4-40UNC, INSERT, BRASS	⚠ 4	213729-4
⚠ OBSOLETE 9.35 [.368]	3.81±0.08 [.150±.003] DIA	⚠ 4	213729-3
9.35 [.368]	4-40UNC, INSERT, BRASS	⚠ 3	213729-2
9.35 [.368]	3.81±0.08 [.150±.003] DIA	⚠ 3	213729-1
C	A	CONTACT FINISH	PART NUMBER

THIS DRAWING IS A CONTROLLED DOCUMENT.		DIN W.G.LENKER 12-3-91	Tyco Electronics Corporation Harrisburg, PA 17105-3608	
DIMENSIONS: INCHES	TOLERANCES UNLESS OTHERWISE SPECIFIED:	APVD R.STONE	NAME	
0 PLC ± -	1 PLC ± -	PRODUCT SPEC 108-10024		
2 PLC ± 0.25[.010]	3 PLC ± -	APPLICATION SPEC 114-10004		
4 PLC ± -	ANGLES ± -	SIZE A1	CAGE CODE 00779	DRAWING NO. 213729
MATERIAL RECEPTACLE: ⚠ 2	FINISH -	WEIGHT -	RESTRICTED TO	
CONTACT: BRASS		CUSTOMER DRAWING	SCALE 2:1	SHEET 1 OF 1 REV F2