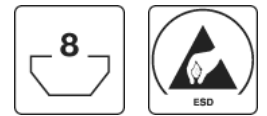


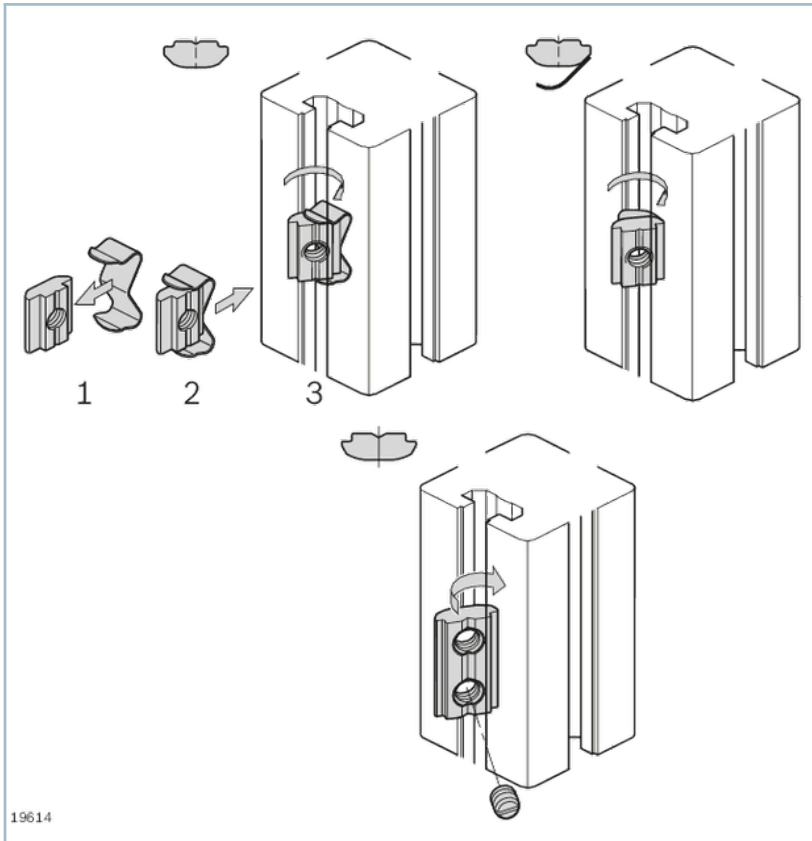
## Sliding block, sliding block profile, swivel-in, slot 8



- Profile finishing: not required

- Swivel-in sliding block profile for self-assembly of individual fastening elements
- The swivel-in sliding block for inserting directly at the installation position for really easy assembly
- The swivel-in sliding block with spring can be inserted directly at the assembly point and fixed in position thanks to attached springs
- The swivel-in sliding block with headless setscrews permits shake-proof fixing in all positions

## Product description

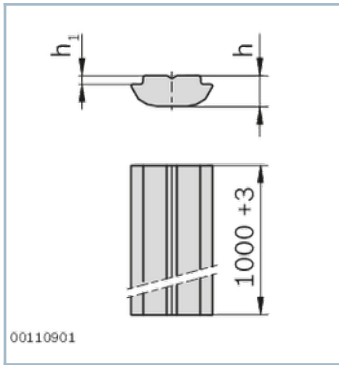


## Technical data

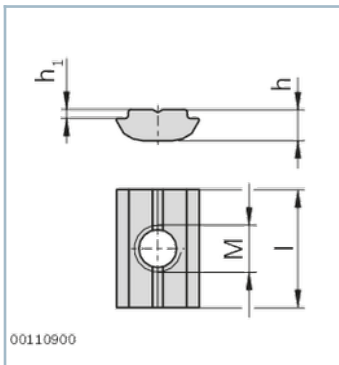
<p><b>Nut</b></p>	
<p>8 (M8)</p>	<p>2200 N</p>
<p>10 (M8)</p>	<p>8000 ... 18000 N<sup>1)</sup></p>
<p>1) Depending on the profile</p>	

## Dimensions

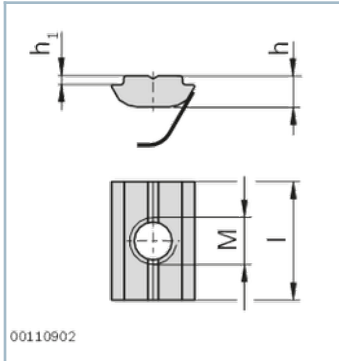
Swivel-in sliding block profile



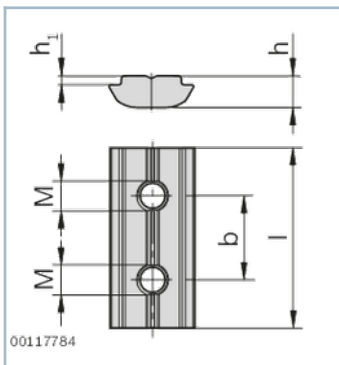
Sliding block, swivel-in



Swivel-in sliding block with spring



Sliding block, swivel-in, with headless setscrew











# Accessories





Required accessories


Spring

## Ordering codes

	Groove	M	b	h	h <sub>1</sub>	l		ESD	No.
			mm	mm	mm	mm			
Sliding block profile swivel-in N8 steel, galvanized	8			4.8	1	1000			3842529327
Sliding block, swivel-in N8 steel, galvanized, M5	8	M5		4.8	1	16	100		3842529319
Sliding block, swivel-in N8 steel, galvanized, M6	8	M6		4.8	1	16	100		3842529320
Sliding block, swivel-in N8 steel, galvanized, M8	8	M8		4.8	1	16	100		3842529321
Sliding block, swivel-in N8 steel, stainless	8	M6		4.8	1	16	100		3842530321

	Groove	M	b	h	h <sub>1</sub>	l		ESD	No.
			mm	mm	mm	mm			
Sliding block, swivel-in, with N8 steel spring, galvanized M4	8	M4		4.8	1	16	100		3842529294
Sliding block, swivel-in, with N8 steel spring, galvanized M5	8	M5		4.8	1	16	100		3842529295
Sliding block, swivel-in, with N8 steel spring, galvanized M6	8	M6		4.8	1	16	100		3842529296
Sliding block, swivel-in, with N8 steel spring, galvanized M8	8	M8		4.8	1	16	100		3842529297
Sliding block, swivel-in, with N8 steel spring, stainless M4	8	M4		4.8	1	16	100		3842547824

	Groove	M	b	h	h <sub>1</sub>	l		ESD	No.
			mm	mm	mm	mm			
Sliding block, swivel-in, with N8 steel spring, stainless M5	8	M5		4.8	1	16	100		3842547823
Sliding block, swivel-in, with N8 steel spring, stainless M6	8	M6		4.8	1	16	100		3842547822
Sliding block, swivel-in, with N8 steel spring, stainless M8	8	M8		4.8	1	16	100		3842547821
Swivel-in sliding block, with N8 steel headless setscrew; galvanized, M5, M4	8	M5; M4	12	4.8	1	24	100		3842557259

	Groove	M	b	h	h <sub>1</sub>	l		ESD	No.
			mm	mm	mm	mm			
Swivel-in sliding block, with N8 steel headless setscrew; galvanized, M5, M5	8	M5; M5	12	4.8	1	24	100		3842536675
Swivel-in sliding block, with N8 steel headless setscrew; galvanized, M5, M6	8	M5; M6	12	4.8	1	24	100		3842557260