



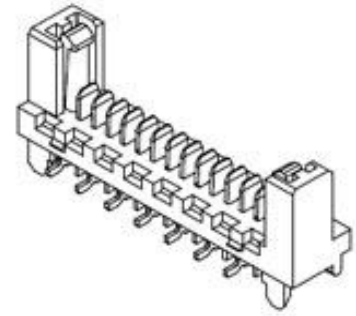
Part Number : [908160222](#)

Product Description : Picoflex Surface Mount Latched Vertical Header with PCB Pegs, 22 Circuits, Tin (Sn) Plating, Black

Series Number : 90816

Status : Active

Product Category : PCB Headers and Receptacles



Documents & Resources

Drawings

[908160222_sd.pdf](#)

[PK-90816-006-001.pdf](#)

3D Models and Design Files

[STEP AP242](#)

[SOLIDWORKS](#)

[Creo](#)

[Symbol and Footprint \(Multi-Format\)](#)

Specifications

[908140000-AS-000.pdf](#)


[PK-90816-001-001.pdf](#)

[PS-99020-0011-001.pdf](#)

[TS-90816-001-001.pdf](#)

Product Environment Compliance

Compliance

GADSL/IMDS	Not Relevant
China RoHS	 per SJ/T 11365-2006
EU ELV	Not Relevant
Low-Halogen Status	Not Low-Halogen per IEC 61249-2-21
REACH SVHC	Not Contained per D(2025)4165-DC (25 June 2025)

EU RoHS	Compliant per EU 2015/863
---------	---------------------------

Compliance Statements

- EU RoHS
- REACH SVHC
- Low-Halogen

Industry Documents

- IPC 1752A Class C
- IPC 1752A Class D
- Molex Product Compliance Declaration
- IEC-62474
- chemSHERPA (xml)

Substances of Interest

- PFAS

EU RoHS Certificate of Compliance

Additional Product Compliance Information

Part Details

General

Status	Active
Category	PCB Headers and Receptacles
Series	90816
Description	Picoflex Surface Mount Latched Vertical Header with PCB Pegs, 22 Circuits, Tin (Sn) Plating, Black
Application	Signal, Wire-to-Board
Component Type	PCB Header
Product Name	Picoflex
UPC	883906498993

Electrical

Current - Maximum per Contact	1.2A
Voltage - Maximum	250V

Physical

Breakaway	No
Circuits (Loaded)	22

Circuits (maximum)	22
Color - Resin	Black
Durability (mating cycles max)	5
First Mate / Last Break	No
Glow-Wire Capable	No
Guide to Mating Part	No
Keying to Mating Part	N/A
Lock to Mating Part	Yes
Material - Metal	Brass
Material - Plating Mating	Tin
Material - Plating Termination	Nickel
Material - Resin	Nylon
Net Weight	1.233/g
Number of Rows	1
Orientation	Vertical
Packaging Type	Embossed Tape on Reel
PCB Locator	Yes
PCB Retention	None
PCB Thickness - Recommended	1.60mm
PC Tail Length	1.05mm
Pitch - Mating Interface	1.27mm
Pitch - Termination Interface	1.27mm
Plating min - Mating	0.076µm
Plating min - Termination	3.000µm
Polarized to Mating Part	Yes
Polarized to PCB	Yes
Shrouded	Partial
Stackable	No
Temperature Range - Operating	-40° to +105°C
Termination Interface Style	Surface Mount

Mates With / Use With

Mates with Part(s)

Description	Part Number

Picoflex PF-50 Low Profile IDT Receptacles	<u>90327</u>
---	--------------

This document was generated on Aug 11, 2025