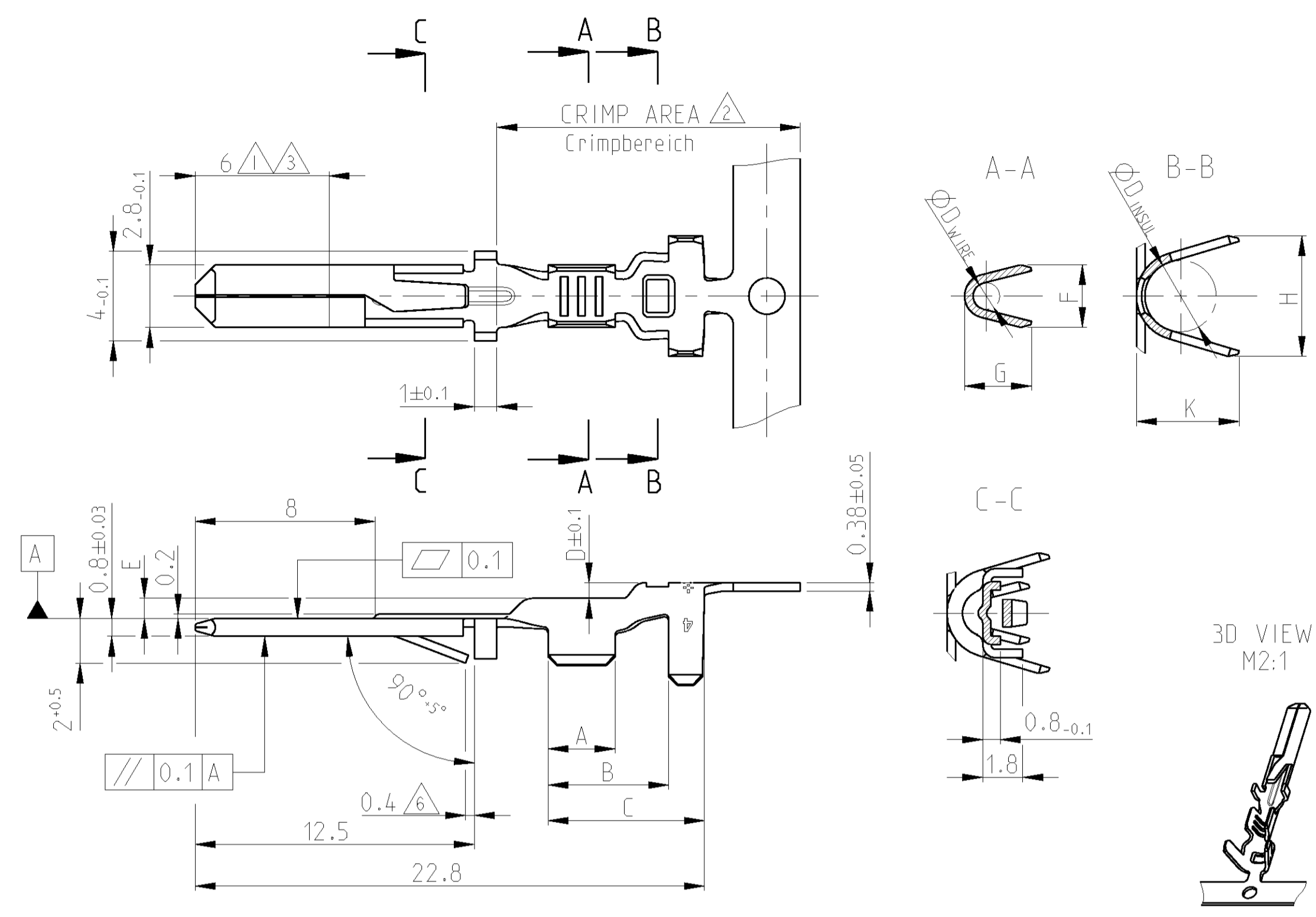
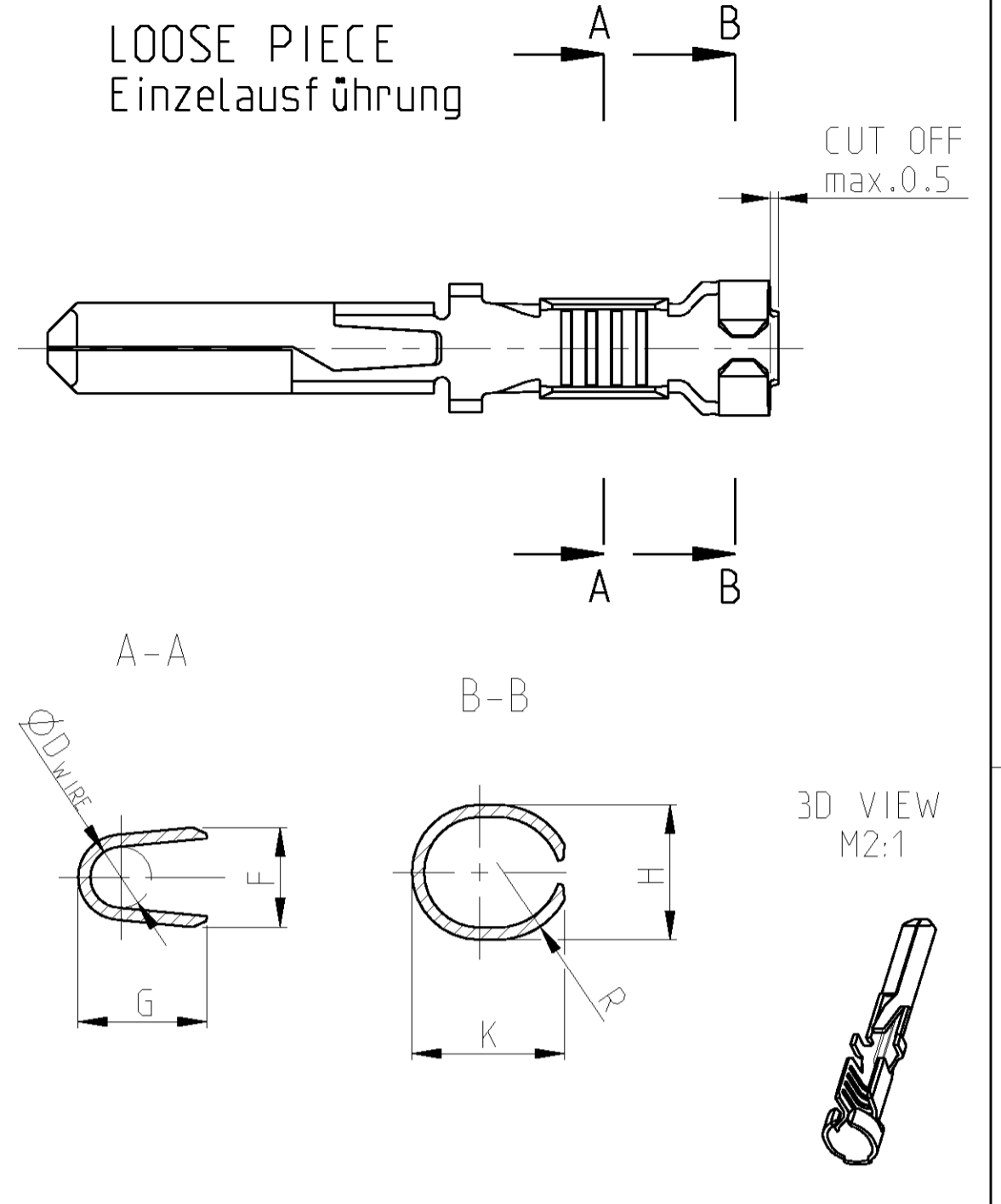


STRIP FORM - SINGLE WIRE SEAL
Bandware - Einzel-Dichtung System



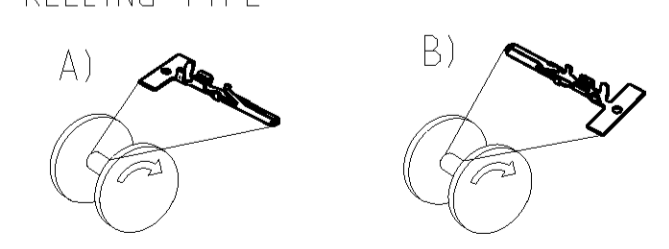
REVISONS		DATE	BY	APPD
A1	REVISED PER ECO-11-005294	20APR11	RK	HMR



HAND TOOL Handzage	APPLICATOR Anschlag-WKZ	INSULATION BARREL Isolationsbereich					WIRE BARREL Drahtbereich					INSULATION BARREL Isolationsbereich					WIRE BARREL Drahtbereich					E	D	C	B	A	REELING	INSULATION RANGE Isolations- durchmesser	WIRE RANGE DGB [mm 2]	FINISH Oberfläche	MATERIAL	TE CONNECTIVITY ORDER No. LOOSE PIECE Einzelauflührung	REV	TE CONNECTIVITY ORDER No. STRIP FORM Bandware	
		K	H	R	G	F	D _{WIRE}	K	H	R	G	F	D _{WIRE}	K	H	R	G	F	D _{WIRE}																
N/A	N/A	4.3	4.8	2.8	4.0	3.1	1.7	4.6	5.6	3.6	4.0	3.8	1.7	0.85	0.95	7.5	5.9	3.5	∅3.4	1.0 - 2.5 FLR	PRETINNED min.1µm	CuSn4	0-965975-5	J	0-929949-5	SEL. GOLD PLATED	CuZn30	0-965975-4	J	0-929949-4	PLAIN	CuZn30	0-965975-3	J	0-929949-3
N/A	N/A	4.3	4.8	2.8	3.0	2.2	1.2	4.6	5.4	3.2	3.0	2.8	1.2	0.9	0.7	7.0	5.4	3.0	∅3.4	0.5 - 1.0 FLR	PRETINNED min.1µm	CuSn4	0-965974-7	A	0-929948-7	SEL. GOLD PLATED	CuSn4	0-965974-6	A	0-929948-6	PLAIN	CuZn30	0-965974-5	J	0-929948-5
2-1579001-1 WITH DIE SET: mit Matrize: 1579001-2	N/A	2.5	2.5	1.4	2.2	2.0	0.8	2.8	2.8	1.4	2.2	2.2	0.8	0.65	0.2	5.7	4.1	2.5	∅1.15 - 1.6	0.2 - 0.5 FLR	PRETINNED min.1µm	CuSn4	0-963962-5	D	0-963961-5	SEL. GOLD PLATED	CuZn30	0-963962-4	D	0-963961-4	PLAIN	CuZn30	0-963962-3	D	0-963961-3
539635-1 WITH DIE SET: mit Matrize: 539743-2	878416-0	3.7	3.1	1.8	3.0	2.2	1.2	4.1	3.9	1.8	3.0	2.8	1.2	0.65	0.2	6.2	4.6	3.0	∅1.4 - 2.3	0.5 - 1.0 FLR	PRETINNED min.1µm	CuSn4	0-963962-2	D	0-963961-2	SEL. SILVER PLATED	CuZn30	0-963962-1	D	0-963961-1	PLAIN	CuZn30	0-963962-0	D	0-963961-0
169400 WITH DIE SET: mit Matrize: 734262 - 0	878402-0	4.4	3.8	2.3	4.0	3.1	1.8	4.9	4.7	2.6	4.0	3.8	1.8	1.15	0.3	7.2	5.6	4.0	∅1.8 - 2.9	1.0 - 2.5 FLR	PRETINNED min.1µm	CuSn4	0-928931-5	P	0-928930-5	SEL. GOLD PLATED	CuZn30	0-928931-4	P	0-928930-4	PLAIN	CuZn30	0-928931-3	P	0-928930-3
N/A	878227-0	4.8	4.2	2.4	4.0	3.1	1.9	5.3	4.8	3.1	4.0	3.8	1.9	1.15	0.4	7.2	5.6	4.0	∅2.3 - 3.5 RB-Leitung	1.5 - 3 FLR	PRETINNED min.1µm	CuSn4	0-928931-2	P	0-928930-2	SEL. SILVER PLATED	CuZn30	0-928931-1	P	0-928930-1	PLAIN	CuZn30	0-928931-0	P	0-928930-0
N/A	N/A	3.3	3.1	1.8	3.0	2.2	1.2	3.65	3.6	2.0	3.0	2.8	1.2	0.65	0.3	6.2	4.6	3.0	∅1.6 - 2.2 RB-Leitung	0.5 - 1.0 FLR	PRETINNED min.1µm	CuSn4	0-928794-5	R	0-928781-5	SEL. GOLD PLATED	CuZn30	0-928794-4	R	0-928781-4	PLAIN	CuZn30	0-928794-3	R	0-928781-3
																					PRETINNED min.1µm	CuSn4	0-928794-2	R	0-928781-2	SEL. SILVER PLATED	CuZn30	0-928794-1	R	0-928781-1	PLAIN	CuZn30	0-928794-0	R	0-928781-0
																					PRETINNED min.1µm	CuSn4	0-928924-5	R	0-927893-5	SEL. SILVER PLATED	CuSn4	0-928924-4	R	0-927893-4	PLAIN	CuSn4	0-928924-3	R	0-927893-3
																					SEL. GOLD PLATED	CuSn4	0-928924-2	R	0-927893-2	PLAIN	CuSn4	0-928924-1	R	0-927893-1	PRETINNED min.1µm	CuZn30	0-928924-0	R	0-927893-0
																					PRETINNED min.1µm	CuSn4	0-928923-5	S	0-927892-5	SEL. SILVER PLATED	CuSn4	0-928923-4	S	0-927892-4	PLAIN	CuSn4	0-928923-3	S	0-927892-3
																					SEL. GOLD PLATED	CuSn4	0-928923-2	S	0-927892-2	PLAIN	CuSn4	0-928923-1	S	0-927892-1	PRETINNED min.1µm	CuZn30	0-928923-0	S	0-927892-0

NOTES:
Bemerkungen

- 1 CONTACT AREA min.0.75 µm Au OVER min.1.25 µm Ni
Kontaktbereich min.0.75 µm Au über min.1.25 µm Ni
- 2 CRIMP AREA 1-2 µm Sn OVER min.0.05 µm Ni
Crimpbereich 1-2 µm Sn über min.0.05 µm Ni
- 3 Min.3 µm Ag IN LOCALIZED AREA. FLASH Ag ON REMAINDER.
BOTH OVER min.1.25 µm Ni
Min.3 µm Ag im lokalisierte Bereich. Rest flashversilbert. beide über min.1.25 µm Ni
- 4 ALL VERSIONS SPLICE FREE EXCEPT OF
Alle Versionen Splice-free außer
- 5 SPLICE ACCORDING TO TE CONNECTIVITY-SPEC. 118-10107 SPLICE ADDITIONAL MARK
WITH RED SPLICE-STICKER ON THE INTERLEAVING PAPER AND ON THE REEL
Splice nach Tyco-Spec. 118-10107 zusätzlich Splice mit rotem Splice-Aufkleber
auf dem Zwischenlagenpapier und auf dem Reel kennzeichnen
- 6 TO BE MEASURED BY DIMENSION 2 mm
Bei Ausstellung 2 mm
- 7 REELING TYPE



DIMENSIONS: mm	TOLERANCES UNLESS OTHERWISE SPECIFIED: ISO 2768 -H E	0 PLC ±0.2 1 PLC ±0.2 2 PLC ±0.2 3 PLC ±0.2 4 PLC ±0.2 ANGLES ±°	5 ±1.5°
MATERIAL see table siehe Tabelle	FINISH see table siehe Tabelle	DRW P. Hasek	21AUG2006
		APVD P. Vlcek	60CT2006
		PRODUCT SPEC	90CT2006
		APPLICATION SPEC	108-18299
		WEIGHT	114-18014
		CUSTOMER DRAWING	SCALE 5:1 SHEET 1 OF 1

STE TE Connectivity

PRODUCT GROUP DRAWING FOR
2.8 mm FASTIN-FASTON® TAB

SIZE: CAGE CODE: DRAWING NO: 00779 C=1670467

RESTRICTED TO: A1