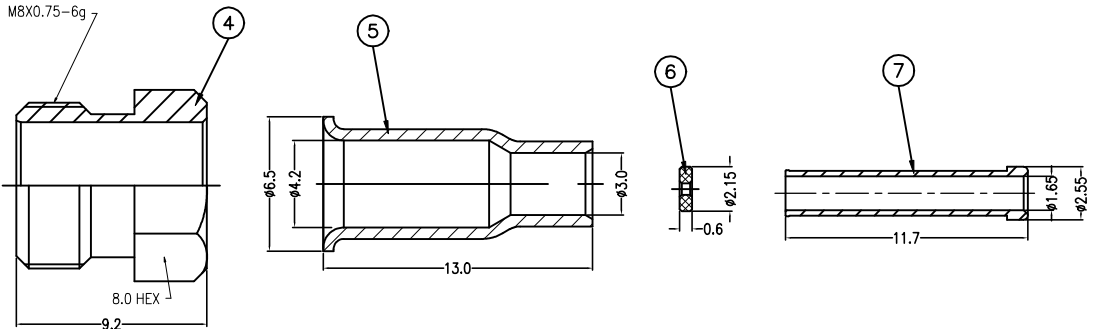
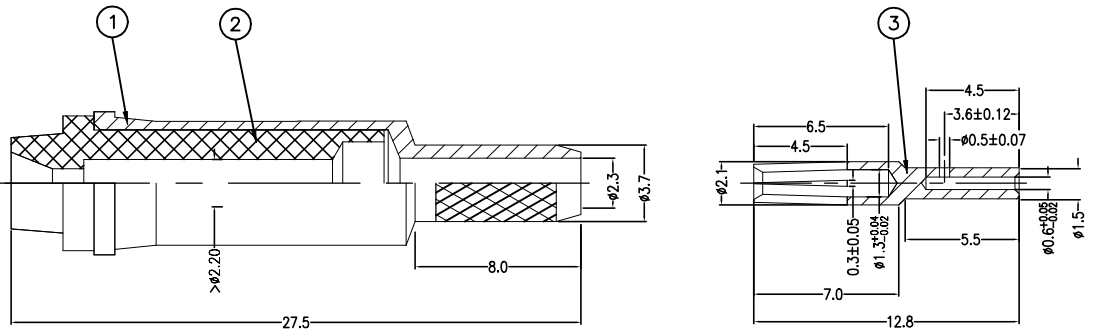


THIS DRAWING IS UNPUBLISHED. RELEASED FOR PUBLICATION AUGUST ,2006.  
 © COPYRIGHT 2006 By - ALL RIGHTS RESERVED.

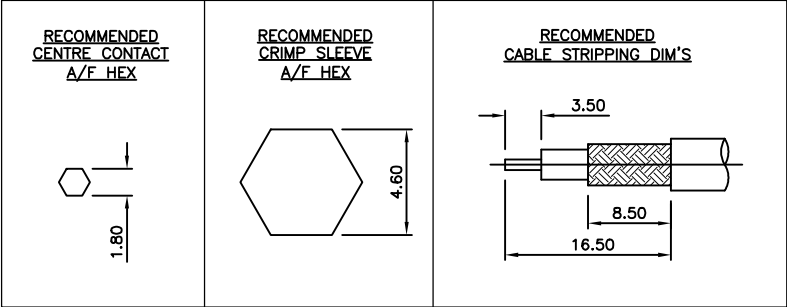
LOC	DIST	REVISIONS			
P	LTR	DESCRIPTION	DATE	DWN	APVD
	C1	REVISED PER ECO-11-005033	01APR11	RK	HMR
	D	REVISED	11MAY18	ZR	RS

NOTES

- 1 SINGLE PACK IN ACCORDANCE WITH AMP SPEC 107-3275
- 2 50 TRAY PACK IN ACCORDANCE WITH AMP SPEC 107-3275
- 3 GOLD PLATING
- 4 NICKEL PLATING
- 5 HAND TOOL: 9-1478240-0
- 6 DIE SET: 9-1478248-0
- 7 ELECTRICAL CHARACTERISTICS  
 FREQUENCY RANGE: DC - 2 GHz  
 NOMINAL IMPEDANCE: 50 Ohm  
 INSULATION RESISTANCE: 5000 MOhm  
 WORKING VOLTAGE: 100 Volts RMS at Sea Level  
 DIELECTRIC WITHSTAND VOLTAGE: 1000 Volts RMS Max  
 CONTACT RESISTANCE: 10.00 mOhm Max  
 CENTRE CONTACT: 5.00 mOhm Max  
 VSWR @ 1.8GHz: 1.30:1 Max  
 INSERTION LOSS dB @ x 1.8 GHz: 0.20 Max
- 8 MECHANICAL CHARACTERISTICS  
 CABLE RETENTION FORCE:  
 RG174A/U, 188A/U, 316/U, URM95 85N Min  
 DURABILITY: 500 Cycles Min
- 9 ENVIRONMENTAL CHARACTERISTICS  
 OPERATING TEMPERATURE: -55 to +85 DegC
- 10 FOR TECHNICAL DATA REFER TO YOUR LOCAL  
 TE CONNECTIVITY SALES OFFICE
- 11 ALL DIMENSIONS ARE NOMINAL FOR REFERENCE  
 ONLY UNLESS OTHERWISE STATED



QTY	UNIT	MATERIAL	DESCRIPTION	ITEM
1	1	BRASS	TUBE	7
1	1	PTFE	INSULATION	6
1	1	BRASS	FERRULE	5
1	1	BRASS	NUT	4
1	1	TIN BRONZE	CONTACT	3
1	1	POM	INSULATION	2
1	1	BRASS	BODY	1
6--0	1--0	MATERIAL	DESCRIPTION	ITEM



THIS DRAWING IS A CONTROLLED DOCUMENT.

DIMENSIONS: mm	TOLERANCES UNLESS OTHERWISE SPECIFIED:	DWN J.SANDWELL 25AUG06	TE Connectivity	
0 PLC ± -	1 PLC ± -	CHK S.PARLOW 25AUG06	FME STRAIGHT JACK CRIMP 50 OHM	
2 PLC ± -	3 PLC ± -	APVD F.WHEELER-KING 25AUG06	RG174A/U, 188A/U, 316/U, URM95, KX3B, KX22A	
4 PLC ± -	ANGLES ± -	NAME	SIZE A3	CAGE CODE 00779
MATERIAL SEE TABLE	FINISH SEE TABLE	PRODUCT SPEC	DRAWING NO C=1337551	RESTRICTED TO
		APPLICATION SPEC	SCALE NTS	SHEET 1 OF 1
		WEIGHT	CUSTOMER DRAWING	REV D