



# Specification

## GCLAMP/F

### Fused Drummond G Clamp



The Drummond G Clamp makes connecting to bus bars straight forward. The clamp-on design eliminates the need to drill bus bars and makes for a much safer reliable connection via a standard 4 mm socket.

Ideal for connecting power monitoring and measuring equipment, the new colour coded clamps make phase identification easy. The insulated materials reduce the hazard to the operator and the spring loaded contact pin and locking ring ensure reliable results throughout extended logging periods.

The G Clamp can be tightened by hand when wearing PPE gloves, eliminating the need to use tools in the bus bar chamber.

They are available in Brown, Black and Grey. The standard fused version is supplied with a replaceable 0.5A fuse within the clamping screw providing protection at the source. Other fuse ratings are available on request.

Available individually and in 3 phase connection kit sets including a blue unfused G clamp for the neutral connection which requires 25mm less clearance in front of the bus bar.

#### Individual G clamps

DRUGCLAMP/F0.5/BK (Fused 0.5A Black)  
DRUGCLAMP/F0.5/BR (Fused 0.5A Brown)  
DRUGCLAMP/F0.5/GY (Fused 0.5A Grey)  
DRUGCLAMP/BL (Unfused Blue)

#### Connection Kit 1

GCK/F/KIT1  
Set of four G Clamps, black, brown, grey fused and blue unfused.

#### Connection Kit 2

GCK/F/KIT2  
Set of four G clamps black, brown, grey fused and blue unfused with 4m heavy duty colour coded CATIV test leads. The leads are terminated with 45 degree 4mm safety plugs at both ends.

#### ELECTRICAL SPECIFICATIONS

**Applied electrical contact force:** 40N +/- 5N  
**Maximum working voltage:** 600V AC  
**Maximum working current:** 10A

#### GENERAL SPECIFICATIONS

**Temperature & Humidity:**  
**Operating:** -15°C to 60°C ≤ 80% R.H.  
**Storage:** -15°C to 60°C ≤ 80% R.H.  
**Altitude:** up to 2000m

#### Dimensions

**Length behind bus bar:** 12mm  
**Length in front of bus bar:** 87mm (+ 35mm as minimum allowance for 4mm plug)  
**Height above top of bus bar:** 14mm  
**Width:** 50mm for locking ring nut  
**Clearance:** Required to withdraw fuse holder 75mm

#### Bus bar

Suitable for rectangular bus bar ONLY. Not suitable for round conductor.

**Minimum Bar width:** 20mm  
**Minimum bar thickness:** 4mm  
**Maximum bar thickness:** 26mm

#### Materials

Nylon 66, reinforced with 13% glass fibre.  
Flammability: V2  
Brass contact pin

#### Safety

Conforms to BS EN61010  
Installation Overvoltage Rating CAT IV 600V  
Pollution Degree: 2  
IP rating: IP40  
Fuse: 6.35 x 32mm 600V 0.5A HBC  
For enhanced safety, the fuse is fully recessed inside the fuse holder until the fuse holder is withdrawn.

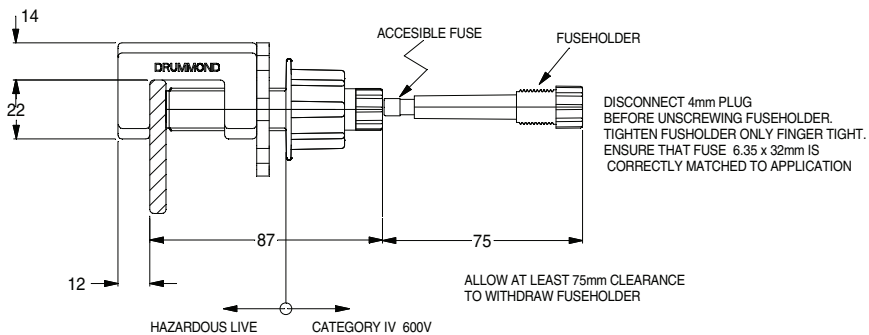
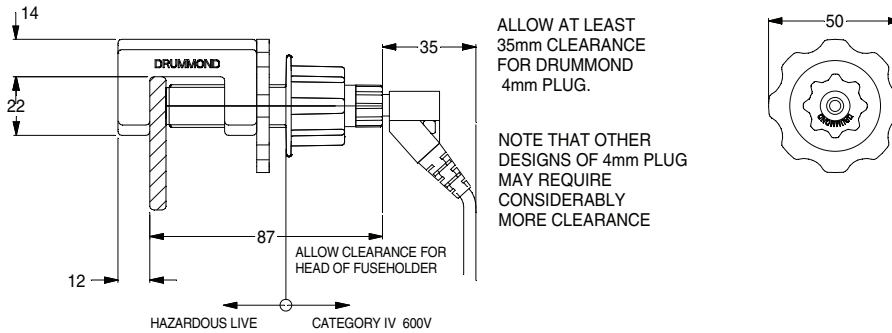
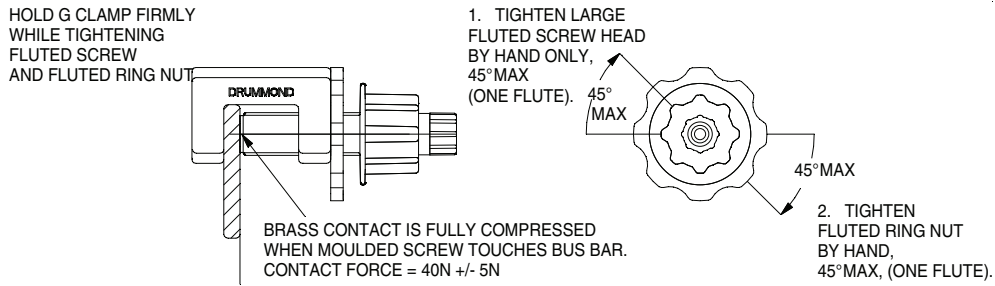
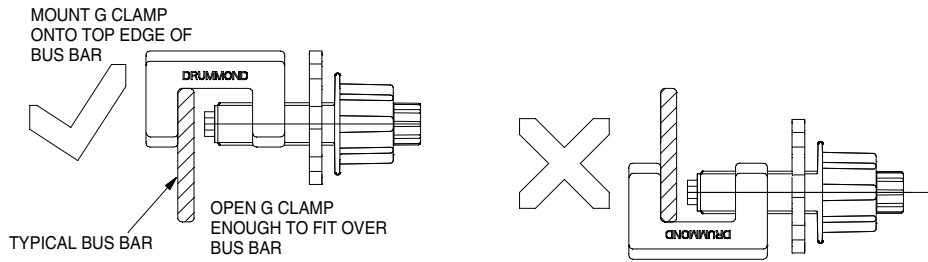
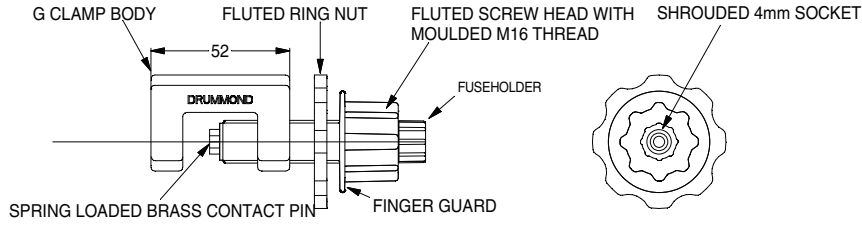
#### RISK ASSESSMENT IS REQUIRED BEFORE INSTALLATION.

Due to policy of continuous development, Martindale Electric reserves the right to alter equipment specification and description outlined in this document without prior notice. No part of this document shall be deemed to be part of any contract for the equipment unless specifically referred to as an inclusion within such contract. © 2012 Martindale Electric Co. Ltd.

#### Martindale Electric Company Ltd.

Metrohm House, Penfold Trading Estate, Imperial Way, Watford, WD24 4YY. Tel: 01923 441717 Fax: 01923 446900  
sales@martindale-electric.co.uk www.martindale-electric.co.uk Rev 1

# Specification GCLAMP/F Fused Drummond G Clamp



Due to policy of continuous development, Martindale Electric reserves the right to alter equipment specification and description outlined in this document without prior notice. No part of this document shall be deemed to be part of any contract for the equipment unless specifically referred to as an inclusion within such contract. © 2012 Martindale Electric Co. Ltd.

**Martindale Electric Company Ltd.**

Metrohm House, Penfold Trading Estate, Imperial Way, Watford, WD24 4YY. Tel: 01923 441717 Fax: 01923 446900  
sales@martindale-electric.co.uk www.martindale-electric.co.uk Rev 1