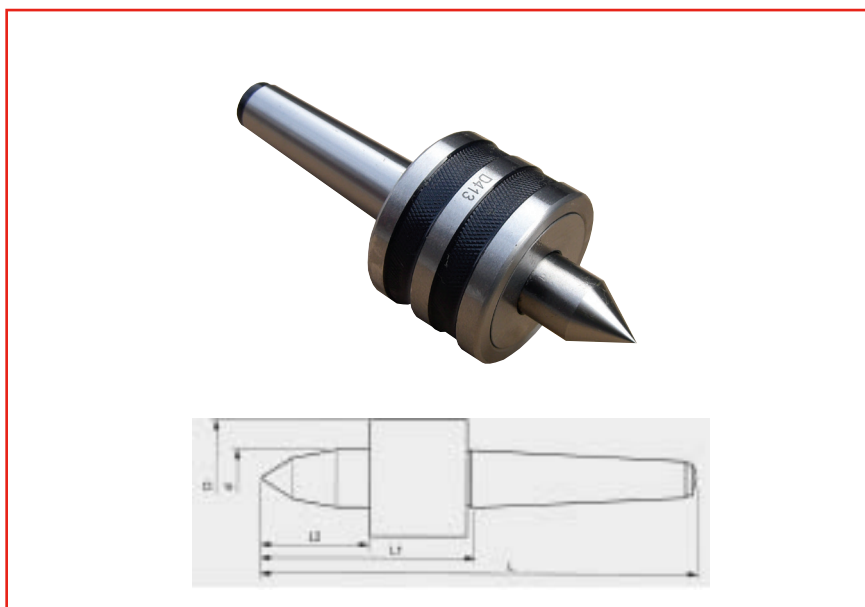


Datasheet

RS Pro Standard Revolving Centres

RS Stock No: 463-7230



Specifications:

- Manufactured from high quality tool steel
- Hardened and tempered
- Precision ground externally
- 60° Point
- Fully sealed bearings
- Maximum run-out 0.005mm

Order Code	MT No.	d	D	L	L1	L2	Max Weigh Load	Speed Max
463-7230	MT 3	25	58.5	169	83	36	350	4000

Order Code	Manufacturers Code	Description
463-7230	RC-03	Standard Revolving Centre