

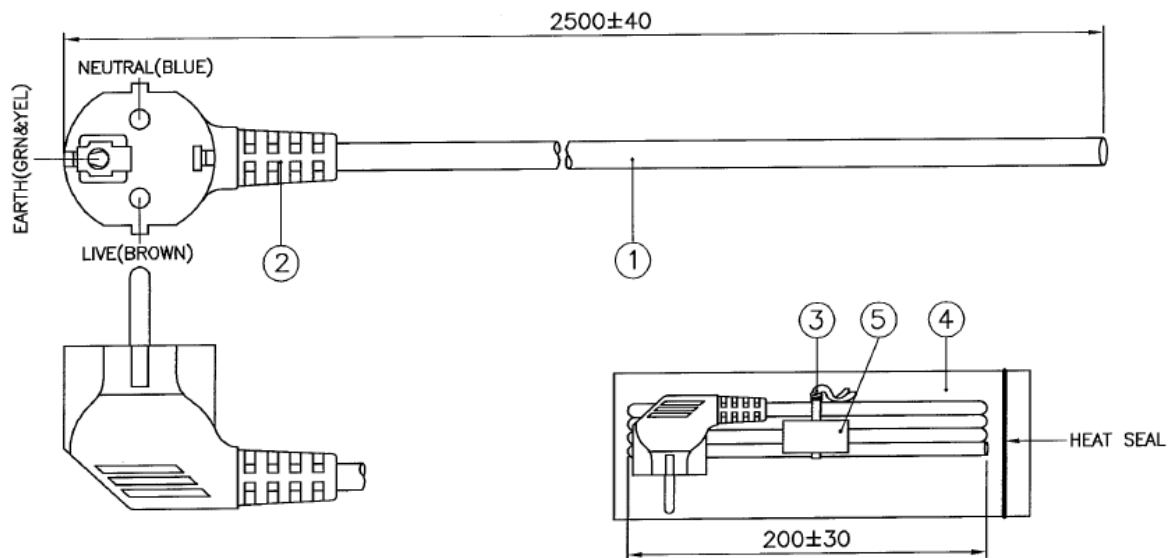
Datasheet

Chinese Power Supply Cord Set

RS Stock number 909-2184

Note:

- All dimensions in mm.
- The cord shall comply with 50525-2-11.
- The molded plug shall comply with various European countries' configuration (national standard) and tested to IEC 60884-1.



S/N	Description	Item Number	Qty.
1	YZ 300/500 3x0.75 blk (ccc)	3213009	1
2	Molded Plug V3203C (10A 250V)	V3203C-AR	1
	IP60G NL7976B blk	4100115	-
3	8" PE TIE blk	6310062	1
4	Bag LDPE 283x114x0.05 PRT	904028	1
5	Printed label	VL-0538	1